

Features

Dual Zone Temperature Control

Dual zoned top and bottom heaters create the perfect holding environment for each menu item

Durable Construction

Durable stainless steel construction for longer lasting equipment life

Removable Metal Lids

Increases thermal conductivity to extend product hold times

Rackless Design

Fewer parts to clean and maintain simplifying the overall cleaning process

Single-Sided and Pass-Through Design

Configurations available in single-sided and pass-through design for maximum application flexibility

Wide Range of Sizes and Configurations

Choose up to 5 different sizes

All-Day Menu Variety

Up to six different daypart menu options

Simple Menu Selection and Upload

USB port included for easy upload of new menus

Digital Display

Digital display front and back timer bars available

Cook More Alert

Never run out of food with alerts that notify when to cook more product

Ethernet Connectivity

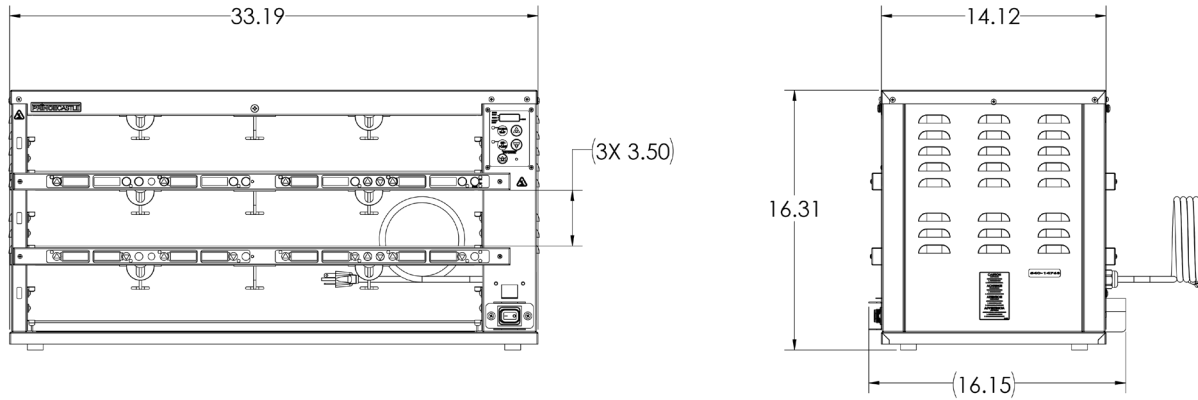
Connect to Kitchen Management Systems (KMS) and compatible with Sicom Chef™

Troubleshooting Errors

Easy to understand error codes to help troubleshooting and maintenance

Warranty

1-year parts and labor warranty including on-site service



Technical Specifications

Product Category	Extended Holding Bin (EHB)
Product Dimensions	33.2"L x 14.1"W x 18.1"H (843mm x 358mm x 460mm)
Power Requirements	208-240V, 60Hz 208-240V, 50/60Hz
Bin Design	Single-Sided Pass-Through
Bin Capacity	(12) 1/3 Size Pans
Exterior Construction	Stainless steel with anti-slip legs

Unit Weight	94 lbs (43 kg)
Shipping Weight	120 lbs (54 kg)
Shipping Dimensions	38.3"L x 19.3"W x 23.5"H (973mm x 488mm x 597mm)
Warranty	1-year parts and labor <i>including on-site service</i>
Agency Listing	

Model Number	Description
EHB34R2-GMS17	Extended Holding Bin 3X4, pass-through, 208-240V, 2820-3760W, 13.6-15.7A, 60Hz, NEMA 6-20P, USA/CA
EHB34F2-GMS17	Extended Holding Bin 3X4, single-sided, 208-240V, 2820-3760W, 13.6-15.7A, 60Hz, NEMA 6-20P, USA/CA
EHB34R2-GMS50	Extended Holding Bin 3X4, pass-through, 208-240V, 2820-3760W, 13.6-15.7A, 50/60Hz, IEC 60309 16A, EU/LATAM
EHB34F2-GMS50	Extended Holding Bin 3X4, single-sided, 208-240V, 2820-3760W, 13.6-15.7A, 50/60Hz, IEC 60309 16A, EU/LATAM

Note: Pans not included

To learn more about **Prince Castle EHB Holding Bins**, visit princecastle.com
 To contact a Prince Castle representative, go to princecastle.com/contact/