

## DHB2SS-33CN DEDICATED HOLDING BIN



DHB2SS-33CN

The Prince Castle Dedicated Holding Bins (DHBs) provide the "work-in-process" capacity required for large foodservice operations while performing at peak energy efficiency. With stainless steel constructed exterior and cavity walls, the DHBs feature a solid state digital control system for precise heater temperature control.

The unit features two cavities, each accommodating four(4) third-size, 2 1/2" deep pans - holding a total of eight pans. Adjustable upper and lower heaters

offer maximum flexibility in setting the precise food holding temperatures.

Exclusive Reli-A-Temp® infrared heater technology holds food temperatures more consistent within the designated holding time than other types of heating systems. This exclusive heater design spreads the heat evenly over the entire food holding area, eliminating edge drop off. Food is kept at the desired serving temperature and not overcooked. Extended hold times reduce waste and offer the flexibility to address peak/off-peak demands.

With MenuTrak, Prince Castle DHBs "supervise" menu items by identifying where menu items are located and tracking their respective hold times. MenuTrak also indicates when you would discard old product and begin cooking new product, reassuring you that your customers are always being served your best.

The Prince Castle DHB is backed by a one year parts and labor warranty.

### STANDARD FEATURES:

- Independent upper and lower heating system per cavity.
- Adjustable temperature for each heater zone: Top and Bottom heater range: 150° to 260°F (65° to 127°C).
- Prince Castle pan indexing system designed to prevent incorrect pan placement and ensure precise holding temperatures and correct ambient conditions.
- Solid state digital controls.
- Equipped with MenuTrack food supervisory system.
- On/Off main power switch.
- Hold both fried and non-fried menu items in the same bin.
- Single side design allows employees to access the food from one side.
- Unique pan lid system allows for perfect holding of moisture-sensitive foods, including hamburgers, grilled chicken and more.

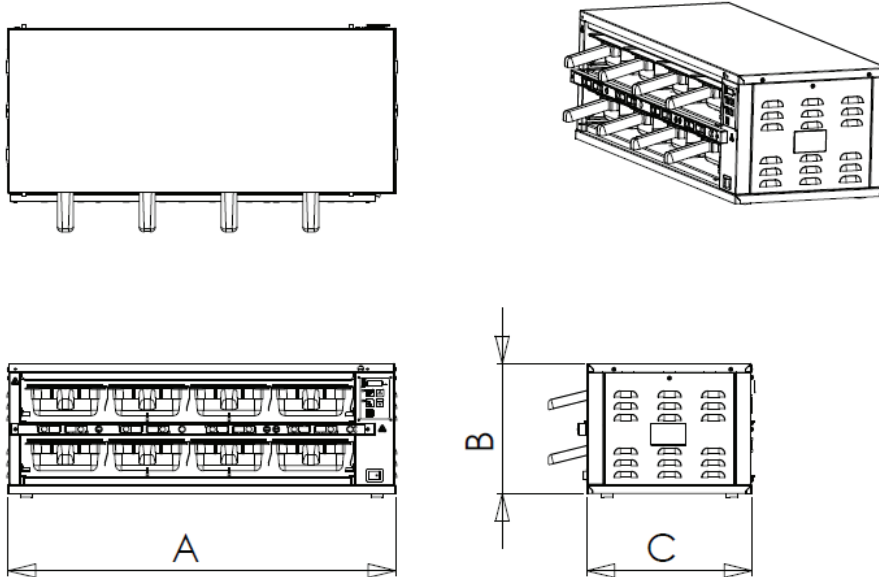
### MENUTRAK FEATURES:

- Identifies product and tracks holding times.
- Alphanumeric displays for each pan.
- Program up to six different menus.
- Easy to transfer products within existing or other DHBs.

# DHB2SS-33CN DEDICATED HOLDING BIN

## SPECIFICATIONS

### LAYOUT:



Designs and specifications are subject to change without notice.

### DIMENSIONS:

Model Number	Width (A) in (cm)	Height (B) in (cm)	Depth (C) in (cm)	Shipping Weight lb (kg)	Description
DHB2SS-33CN	33.15 (84.21)	11.14 (28.20)	14.12 (35.80)	53.00 (24.00)	2-shelf, 8-pan

### ELECTRICAL:

Model Number	Volts	Hz	Watts	AMPS	Plug Number
DHB2SS-33CN	220	60	2500 max	11.4 max	NEMA 5-20P