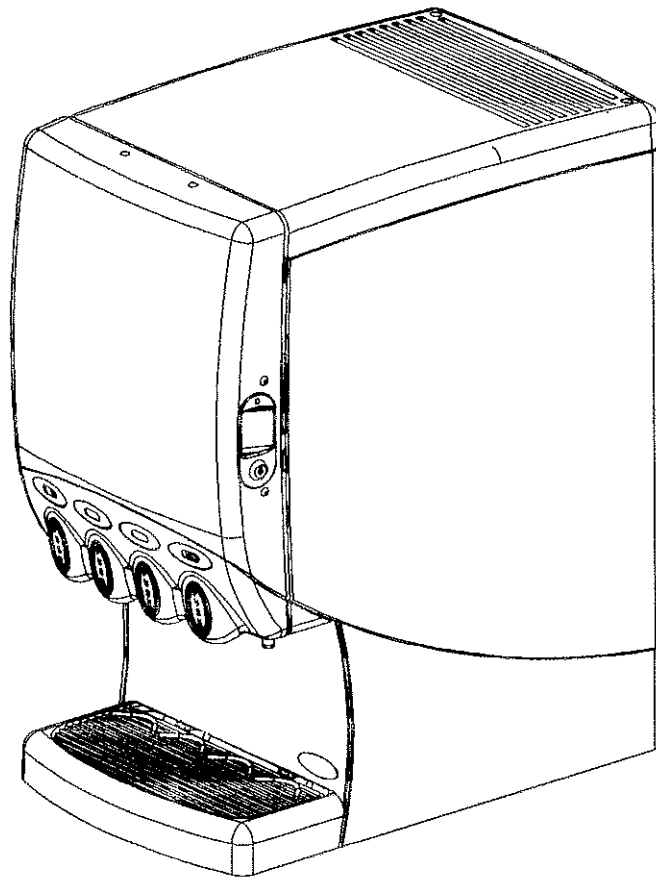




ILLUSTRATED PARTS LIST

QUEST NT



QUEST 4 FLAVOR

PARTS LIST ALTERNATES & ADDITIONS

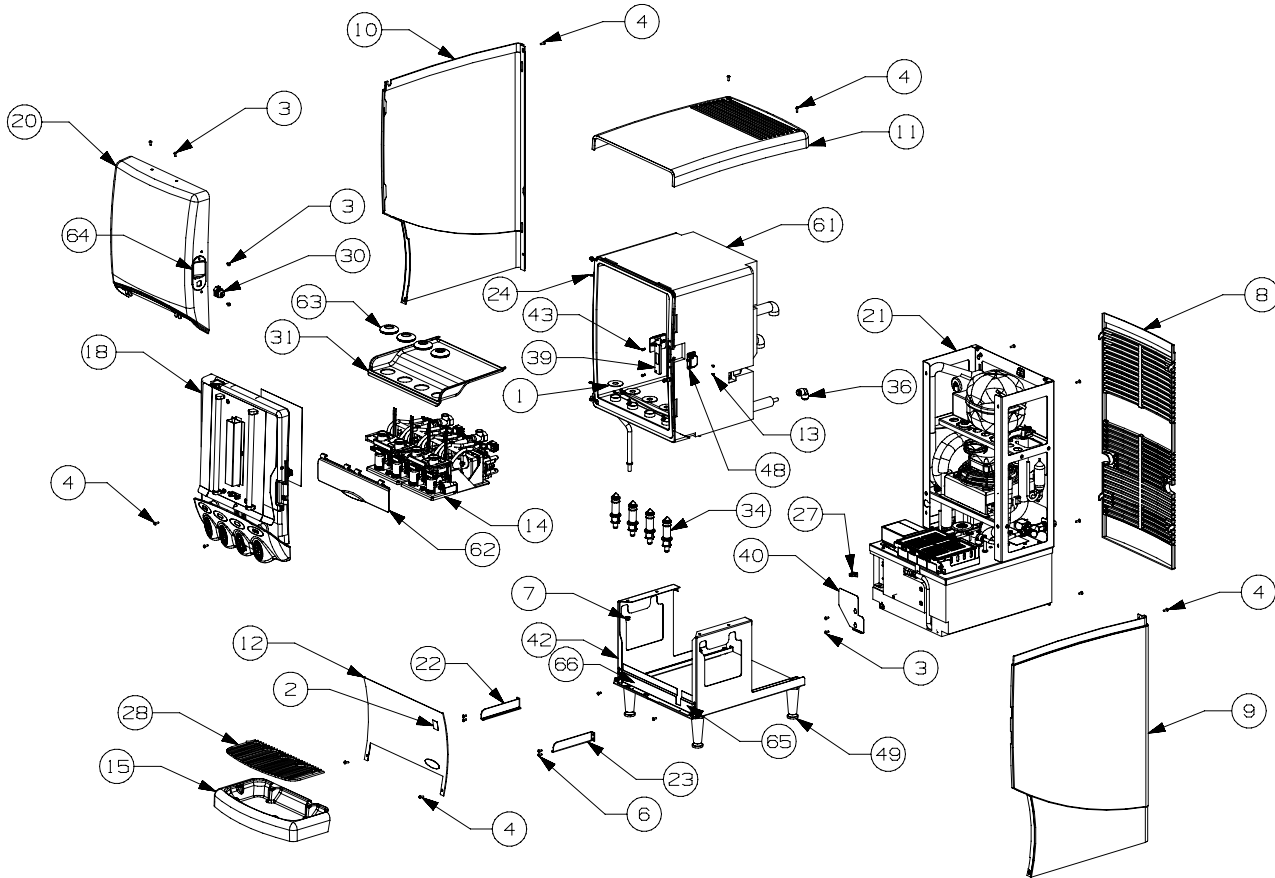
Pg/Item	Reason	Description	Part #
3/48	Alt item	Cabinet Catch with Switch	720202009
3/49	Alt item	Leg 2.5 inch	37958001
Optional	Accessory	Syrup Separator	720601323
9/11	Not Shown	Agitator Pump & Motor No Tubing	620042742
12/25	Not Shown	Bracket Reset Switch	720500726
Optional	Not Shown	Kit Fitting Drain Pan	1038261
3/30	Not Shown	Key Door Lock	720703902
Optional	Accessory	BIB Conversion Kit	729011125
N/A	Not Shown	White Switch Door	720500713
3/65&66	Optional Kit	Kit Front Cover Plates Contains Items 65&66	729011147
Pg 25	Old Revision	Door Harness Units Made Prior to 4/2004 (1)	720301747
11/34	Not Shown	O-Ring Quick Connect Water	720701602
Optional	Accessory	Cup Locator Kit	729011153
5/2	Old Revision	Narrow Ice Bath Tank	720500904
7/24	Old Revision	Heat Exchanger (cap tube) for 72A & 72B Units	720503604
12/17	Not Shown	Tubular Foam Insulation 3/8" x 60" Required	720703003
18/6	Alt item	Bulk Pump Tubing 50' Roll	7245037
Optional	Alt item	Extended Splash Panel Kit	729011003
N/S	Not Shown	Pin Latch Door	720702707
n/s	Not Shown	O-ring for male quick connect	720701602

(1) Incorporates the cable to the black reset switch on the side of the cabinet



ILLUSTRATED PARTS LIST

FINAL ASSEMBLY, QST NT - P/N 721544138 (115VAC)



Item No.	Part Number	Description
1	S3354	Gasket Sealing Spout
3	0704101	Screw, #8-32 x 3/8" LG, THMS
4	70178	Screw, #8-32 X 1/2" Lg., THMS
6	07115001	Screw TF 8-32 TRPH 12 SS
7	0720405	Nut, 1/4-20 KEPS
8	720500204	Rear Panel
9	720500301	Right Side Panel
10	720500302	Left Side Panel
11	720500404	Top Panel
12	720500504	Splash Panel
13	0700201	Screw, #6-32 x 1/4 Lg. BHMS
14	720401801	Platform Assembly, QST NT
15	720500104	Drip Tray
16*	720601323	Syrup Seperator (Optional Service Tool)
17*	629096913	Harness Door to Electrical Box
18	720500704 720500703	Door Assembly PB Door Assembly PC



ILLUSTRATED PARTS LIST

Item No.	Part Number	Description
19*	720500799	Compressor Wire Harness
20*	720401319	Merchandiser, Generic Graphics, Black
21	620608537 Service Part n/a	Refrigeration Chassis Assembly (115VAC) Refrigeration Chassis Assembly (230VAC)
22	720504701	Bracket Drip tray Left Quest
23	720504702	Bracket Drip tray Right Quest
24*	720500763	Washer, Nylon, 0.437 OD X 0.195 ID
27	720501227	Clip Cable
28	720500014	Grill, Drip tray - Quest 4000
30	720703901	Lock Asmb., Quest
31	720201509	Shelf, Cabinet, QST NT
32*	720500800	Wire Harness to Power Cord
33*	720511201	Kit, Flavor Strip
34	620715835 729011183	Nozzle Static Mixer (O-ring, nozzle, & static mixer) Extended Bent Nozzle
35*	720511202	Kit Flavor Strip, Quest #2
36	560002319	Fitting-Push L 5/16 Seal x 3/8
39	720201440	Bracket-Catch Striker Plate, Quest
40	720501225	Bracket Asmb. Sight Tube Cover, Quest
42	720504904	Base Frame Asmb. Quest 4000
44	720701405	Screw, 6-18 Type "B" PAPH 12 SS
48	720704004	Catch Cabinet No Switch
49	37958	Leg Level 4"
52*	720301714	Harness Wire Catch Switch, Quest-NT
53*	629096913	Harness Asmb. PC Box Door Red Bottom
54*	Not Available	Tube Asmb. Agit Water in Quest
55*	720701507	Tube Asmb. Water Inlet w. Shut-off Quest
56*	720703501	Gasket Rubber, Q4 Not Available
61 note	729011171 N/A	Foam Cabinet Asmb. 115/50/60, Quest 4000 Foam Cabinet Asmb. 230/50, Quest 4000
62	720532101	Platform Door, SLJ Quest
63	720703301	Grommet, Seal Platform Cover SLJ Quest 2000/4000
64	720601502	Handle, Merch.
65	720201720	Cover Bracket Right Side
66	720201719	Cover Bracket Left Side
*	720901035	Label - Cleaning & Preventative Maintenance, Quest

* Not Shown

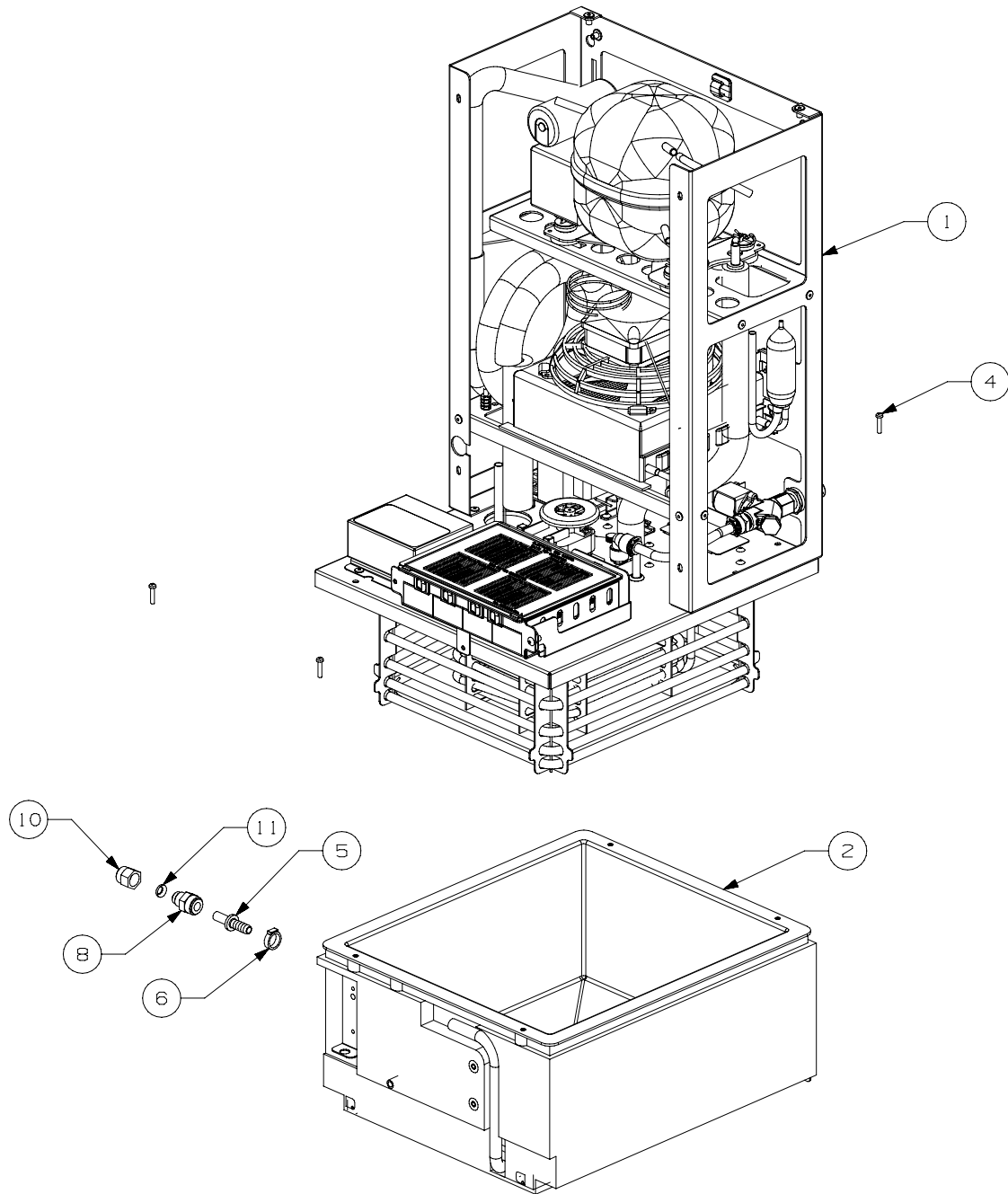
* 45051 Metal Stud cabinet floor pump retainer

61 See page 10 for exploded view of foamed cabinet assembly



ILLUSTRATED PARTS LIST

REFRIGERATION CHASSIS ASSEMBLY, QST NT- P/N 720201914 (115VAC) AND P/N 720201913 (230VAC)





ILLUSTRATED PARTS LIST

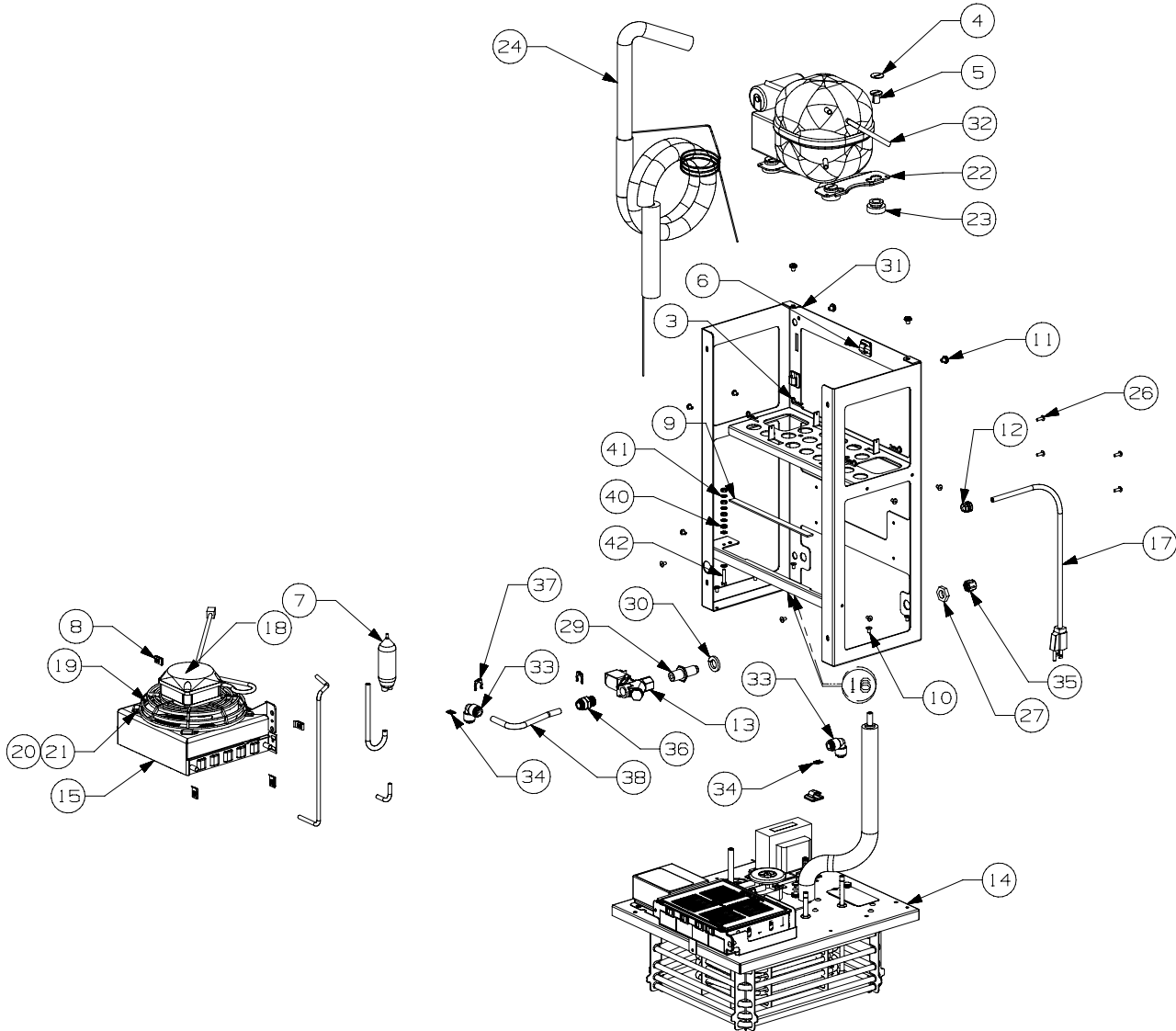
REFRIGERATION CHASSIS ASSEMBLY, QST NT - P/N 720201914 (115VAC)

Item No.	Part Number	Description
1	720201924 720201925	Frame Assembly, Refrigeration (115VAC) Frame Assembly, Refrigeration (230VAC)
2	720402101	Foamed Water Bath Tank Asmb
4	0702609	Screw, #8-32 BHMS, 3/4" Lg.
5	1002459	Hose to Barb Fitting 3/8
6	300551000	Clamp, Oetiker #14.0
8	720509227	Fitting Push 3/8 Tube x 3/8 MF
10	77045500	Cap Fitg 3/8
11	480332	Gasket Flare (Fish Eye)



ILLUSTRATED PARTS LIST

REFRIGERATION FRAME ASSEMBLY, QST NT - P/N 720201924 (115VAC) AND P/N 720201925 (230VAC)





ILLUSTRATED PARTS LIST

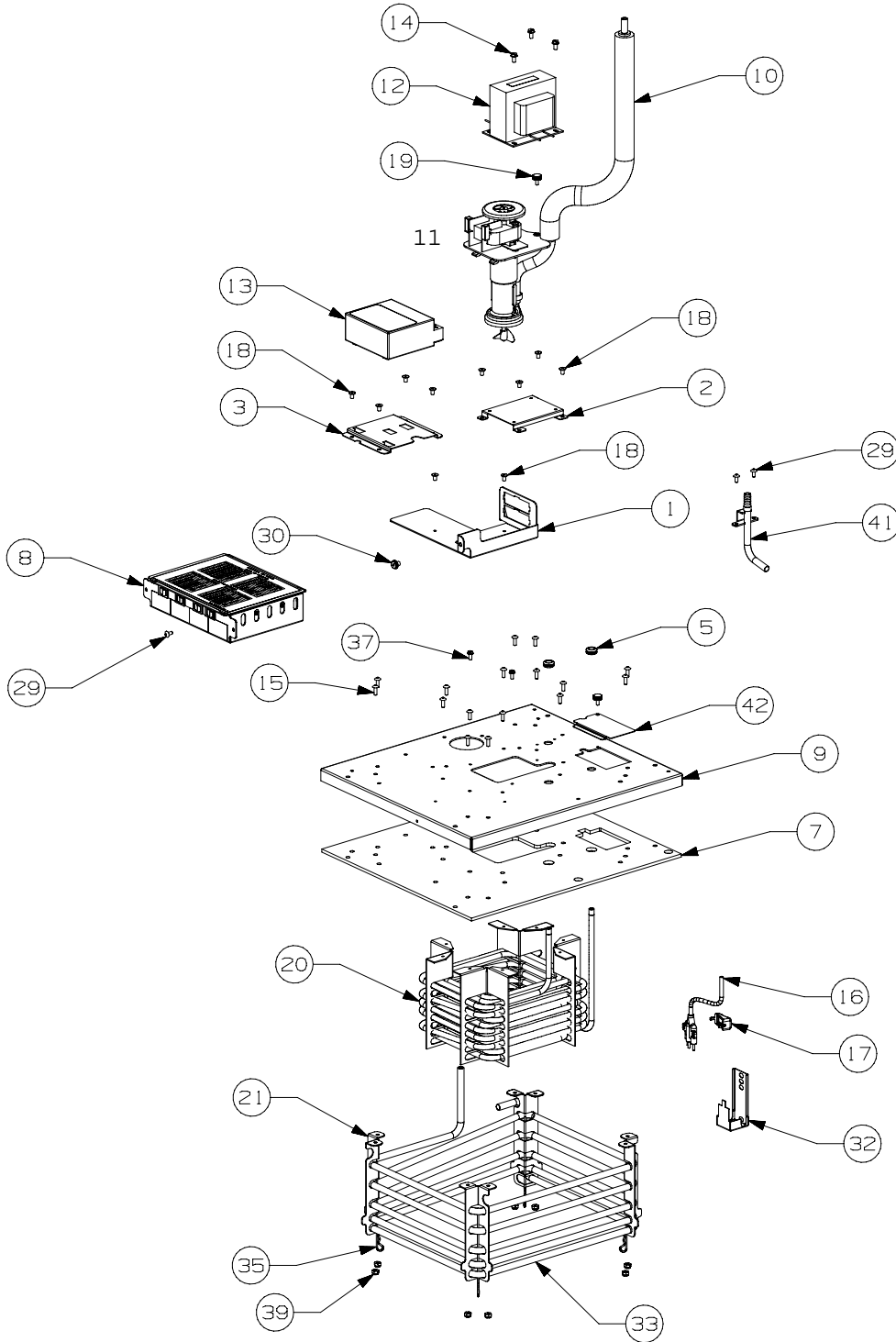
REFRIGERATION FRAME ASSEMBLY, QST NT - P/N 720201924 (115VAC) AND P/N 720201925 (230VAC)

Item No.	Part Number	Description
3	08474	Spring Clip
6	04037	Clip, Cable
7	45073	Dryer-Solid Core, R-134a
8	6775	Clip Tin C814-832-4
10	400276	Rivet
12	7221320	Bushing-Strain Relief
13	45091001	Valve Water Solenoid 24V
14	Not Available	Cover Asmb. Tank 115/60 QST 4
15	560003705 560003706	Condenser Assembly, 115V/60Hz Condenser Assembly, 230V/50Hz
16*	720508204	Brkt Cond & Fan Quest 4000
17	46384 46384001	Cord Serv 115V Cord Serv 230V
18	560004360	Motor, Fan 115V
19	560004368	Grill, Fan
20	560004366	Blade, Fan
21	560004364	Shroud, Fan
22	729011001 720503202	Compressor, 1/10 HP. 120V/60Hz, R-134a Compressor, 1/10 HP. 230V/50Hz, R-134a
24	720401704	Heat Exch Assy w/ Cap Tube 72C & Later
26	70178	Screw #8-32 x 1/2" LG. THMS
27	720509702	Nut-Jam Bulkhead Ftg Quest
29	720509701	Fitting, Bulkhead Water
30	720500012	Washer, Split-Lock 0.641" I.D.
31	720508404	Frame Refrig Quest
33	560002319	Fitg-Push L 5/16 Seal x 3/8 John Guest
34	750700501	Clip Locking 1/4 John Guest
36	720509208	Fitg-Push A 3/8 Tube x 3/8 NPT
37	720509209	Clip Lock JG Fitting
38	720601342	Line Water, Formed
40	0720603	10-32 Jam Nut, Brass
41	07304012	Washer, Tooth, Brass
42	07052009	Screw, 10-32, Brass



ILLUSTRATED PARTS LIST

TANK COVER ASSEMBLY, QST NT - P/N 720201716 (115VAC) AND P/N 720201717 (230VAC)





ILLUSTRATED PARTS LIST

TANK COVER ASSEMBLY, QST NT - P/N 720201716 (115VAC) AND P/N 720201717 (230VAC)

Item No.	Part Number	Description
1	720522001	Rear Support, Electrical Box
2	720500026	Bracket, Transformer
3	720521101	Bracket, Ice Bank Control
4*	720509225	Split Grommet
5	720509224	Grommet
7	720703005	Tank Insulation
8	720504304	Electrical Box Assembly
9	720201714	Cover Tank
10	720502800 720502803	Agitator Assembly (115VAC) with Tubing Agitator Assembly (230VAC)
12	720500795 720500794	Transformer (115VAC) Transformer (230VAC)
13	729011138 440000901	Ice Bank Control, 120VAC Ice Bank Control, 230VAC
14	07061001	Screw, #10 Type "F" HHWF, 3/8" Lg.
15	0704105	Screw, #8-32 X 1/2" Lg., THMS
16	620607112	Probe Ice Bank GCC
17	440000906	Clip Retain Probe Plastic Black
18	Not Available	Rivet
19	720500069	Screw 8-32 SS Thumb, .375 Lg., 0.5" Knob
20	620408268	Coil Product Asmb. Quest 4 6.5W X 8.5D
29	0704101	Screw, #8-32 X 3/8" Lg., THMS
30	Not Available	Nut, Rivet
32	720201461	Bracket Probe GIBC
33	720601314	Evap. Coil Asmb. Quest 4000
34	720702605	Spring Clip
36	Not Available	Screw #8-32 x 3/8 Type "F"
37*	Not Available	Tie, Cable 3.38" L6 x 08 Nylon
38	70100	Nut
39*	620047348	Harness Fuse Assem. Lighting Circuit (60093001 Fuse 2.0 Amp 250 Volt)
40*	620047190	Harness Fuse Assem. Pump Circuit (59328001 Fuse 6.25 Amp 250 Volt)

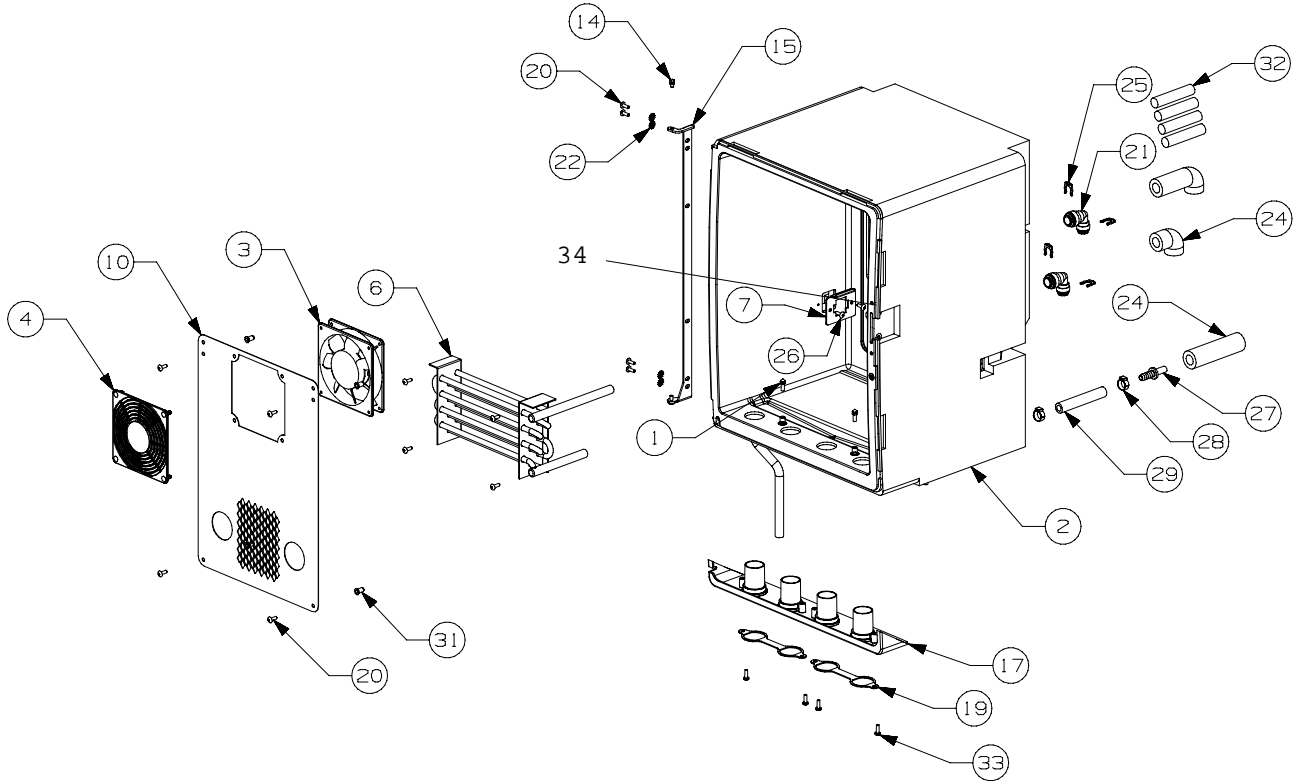
*Not Shown

41 720201476 Bracket and tube overflow



ILLUSTRATED PARTS LIST

CABINET ASSEMBLY, QST NT - P/N 720505204 (115VAC) AND P/N 720505205 (230VAC)





ILLUSTRATED PARTS LIST

CABINET ASSEMBLY, QST NT - P/N 720505204 (115VAC) AND P/N 720505205 (230VAC)

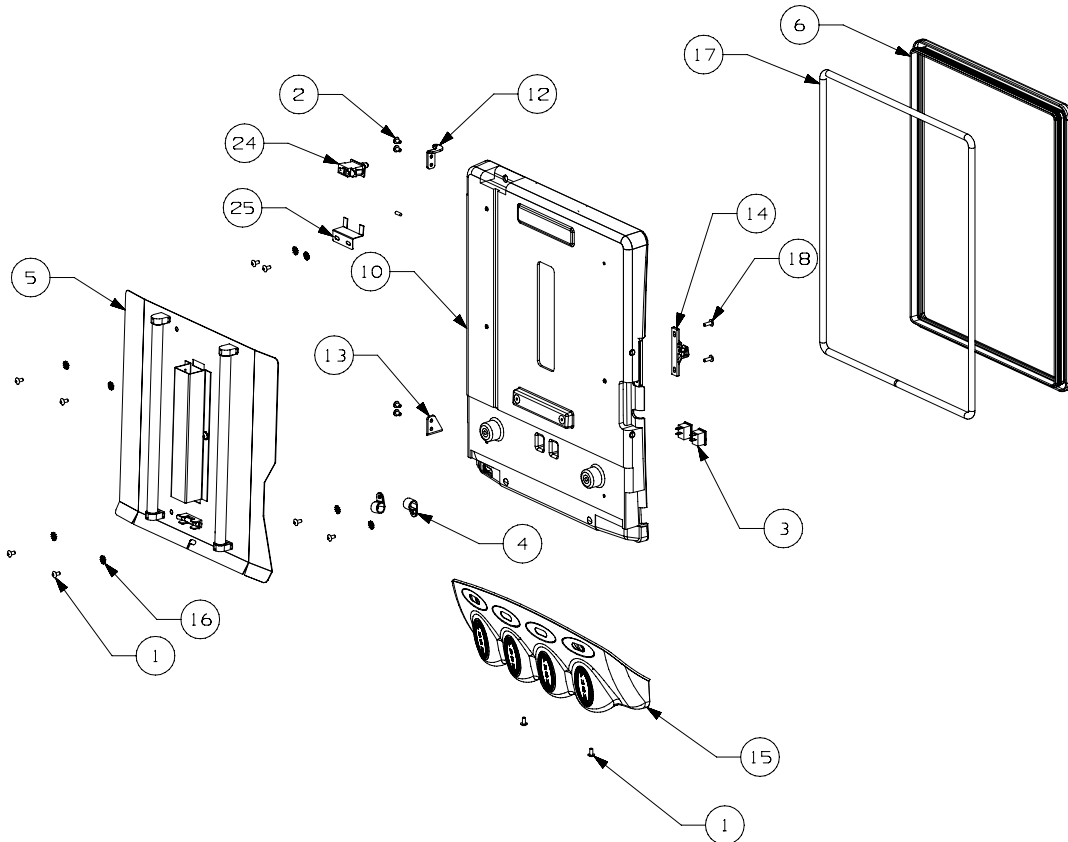
Item No.	Part Number	Description
2	720505404	Cabinet Assembly, Quest 4000
3	720401907 720506105	Fan Motor (115VAC) Fan Motor (230VAC)
4	620047512	Fan Guard
6	720506204	Water Coil Cabinet, Quest 4000
7	720519801	Bracket, Cabinet Harness
10	720506304	Rear Cabinet Panel, Quest 4000
12*	0705806	Screw, #10-32 X 5/8" Lg., FHMS
14	720702702	Hinge Pin, Quest 2000/4000
15	720703402	Hinge Assembly
17	720511401	Lower Cabinet Panel, Quest 4000
19	720201479	Bracket Dual Nozzle Lock
20	07040007	Screw MA, #8-32 PAPH 28 SS 18-8
21	720509206	Fitting, Union Elbow, 3/8" X 1/2" JG
22	8468	#10 S.S. Star Washer
23*	720500711	Harness Assembly, Pump Platforms, Quest 4000
24	940063000	Tubing Insul.
25	720509209	Clip Locking 3/8" JG Fitting
26*	620705801	Screw, TT 08/18 TRPH 16 SSPA
27	750300159	Fitting, Tube-to-Hose Barb-Drain
28	309852000	Clamp Oetiker 17.0
29	1030555	Tube-Tygon 3/8 ID x 5/8 OD 50' Roll
31	720702003	Rivnut
32	720703004	Tubing, Insulation
33	07040007	Screw
34	720200206	Fitg Quick Connect Cabinet Wall

*Not Shown 1. 45051 Stud Platform retainer



ILLUSTRATED PARTS LIST

DOOR ASSEMBLY, QST NT - P/N 720500704 PB (115VAC) AND P/N 720500705 PC (230VAC)



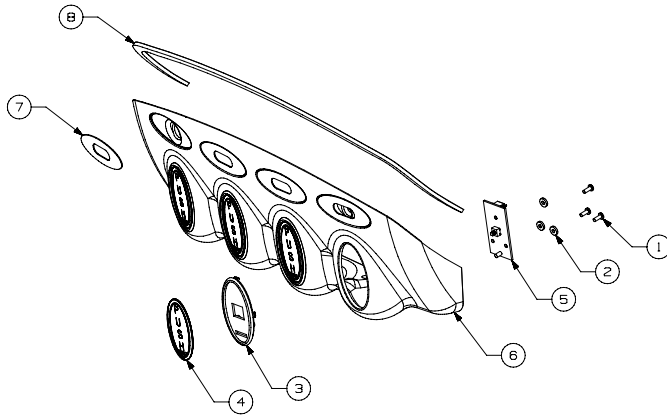
Item No.	Part Number	Description
1	0704101	Screw, #8-32 X 3/8" Lg., THMS
2	400276	Rivet
3	720301104	Rocker Switch, Sealed
5	720500707	Light Panel Assembly
6	720500710	Molded Gasket
10	720500725	Rear Door Assembly
12	720500764	Top Hinge Plate
14	720704005	Door Latch, Quest
15	720508704 720508705	Lower Door Asmb. PB Conversion Kit Lower Door Asmb. PC Conversion Kit
16	8468	#10 SS Star Washer
18	0704105	Screw 8-32 x 1/2" Lg.
*	629096913	Door Harness Units mfg after July 2006

*Not Show



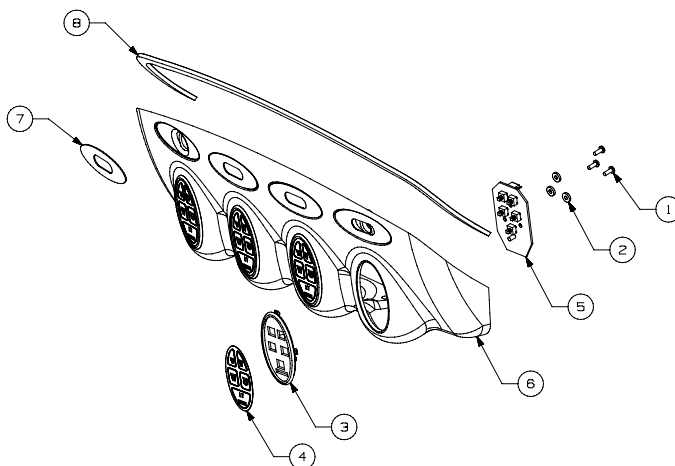
ILLUSTRATED PARTS LIST

LOWER DOOR PANEL ASSEMBLY - PUSH BUTTON - P/N 720508704



Item No.	Part Number	Description
1	0712901	Screw, #4 Type "B" BH
2	07301029	Nylon Flat Washer, 0.312" OD X 0.125 ID
3	720508502	Bezel, Push Button
4	720508601	Overlay "Push"
5	720508801	Board, Push Button
6	720508904	Lower Door Panel
7	720511299	Kit Flav Strip Magnetic Recept
8	720703502	Foam Gasket

LOWER DOOR PANEL ASSEMBLY - PORTION CONTROL Kit - P/N 720508705

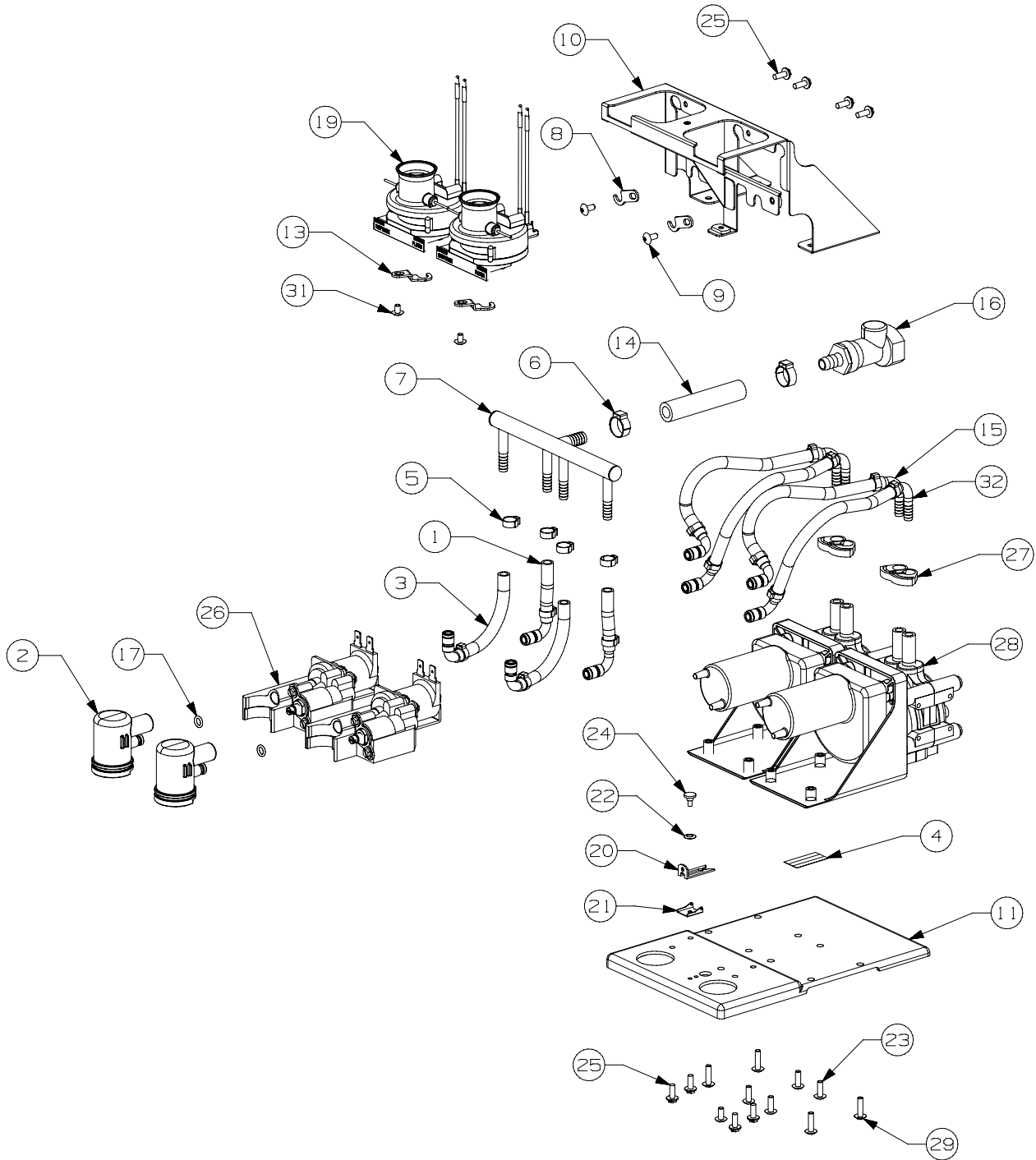


Item No.	Part Number	Description
1	0712901	Screw, #4 Type "B" BH
2	07301029	Nylon Flat Washer, 0.312" OD X 0.125 ID
3	720508505	Bezel, Portion Control
4	720508602	Overlay, Portion Control
5	720508802	Board, Portion Control
6	720508904	Lower Door Panel
7	720511299	Kit Flav Strip Magnetic Recept
8	720703502	Foam Gasket



ILLUSTRATED PARTS LIST

PLATFORM ASSEMBLY WITH FLUSH/DISPENSE OPTION, QST NT - P/N 720401801





ILLUSTRATED PARTS LIST

PLATFORM ASSEMBLY WITH FLUSH/DISPENSE OPTION, QST NT - P/N 720401801

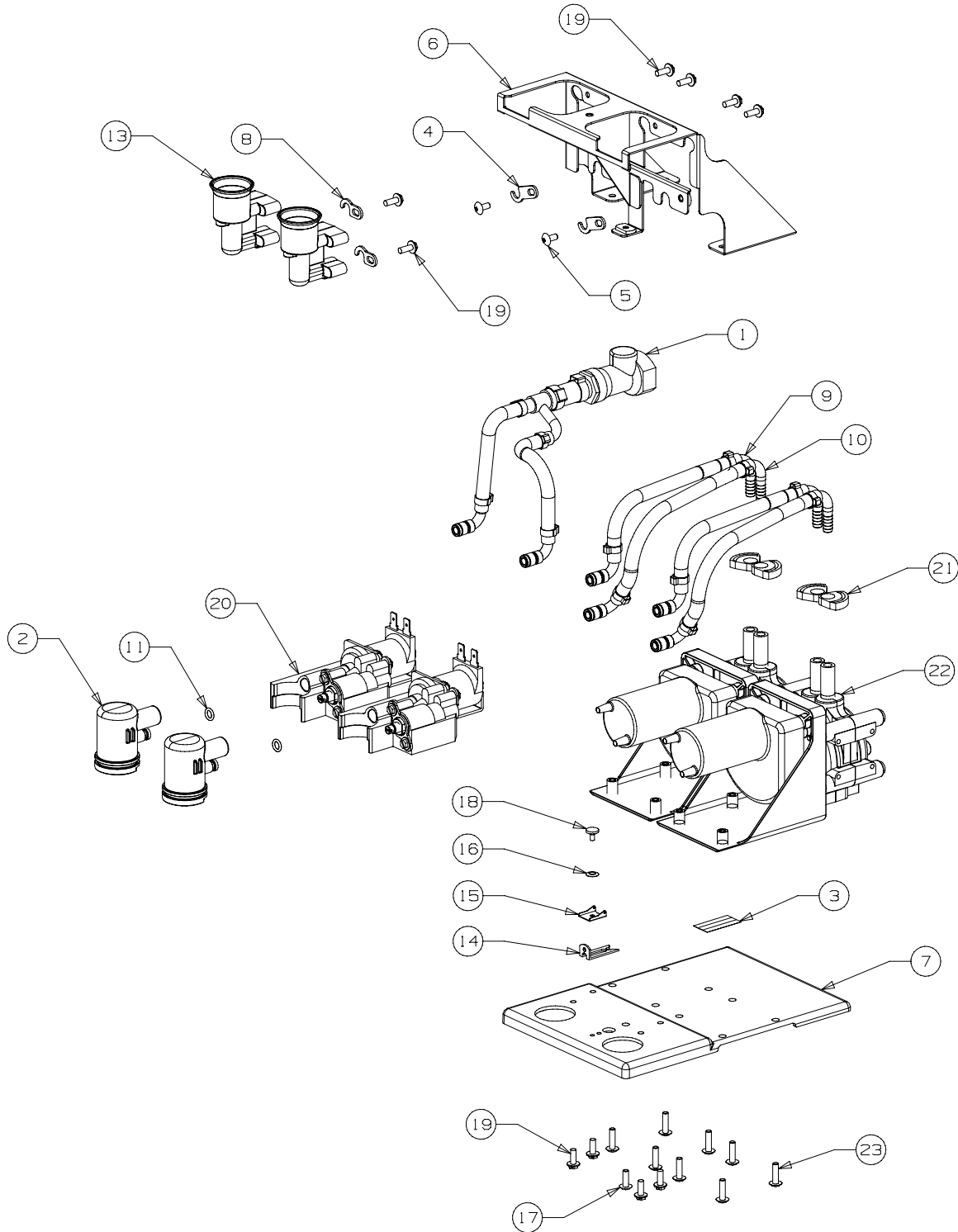
Item No.	Part Number	Description
1	720509104	Tube Asmb. Water Valve Inlet
2	720500033	Mixing Chamber
3	720509105	Tube Asmb. Water Rinse Inlet
5	309854000	Clamp Oetiker #10.5
6	309852000	Clamp Oetiker #17.0
7	720509304	Manifold, Water S.S.
8	724558601	Clip, Retainer Tube
9	0704101	Screw, #8-32 x 3/8" Lg., THMS
10	720201433	Valve Mtg. Brkt. Asmb.
11	720202704	Base Platform SLJ Quest
12*	7245072	Label Dispense/Flush
13	720704207	Hook Washer, Hold Down
14	1030555	Tube, Tygon, 3/8" X 5/8" O.D.
15	720509103	Tube Assembly, Suction
16	720720498	Coupling, In-Line, 3/8" I.D.
17	31525003	O-Ring, 3/8" O.D. X .239" I.D.
18	11732	Wire Harness, Platform, SLJ1000-2
19	45026	Bottle Adapter Assembly
20	45046	Latch-#2 Medium, S.S.
21	45047	Guide-latch, #2 Medium
22	45048	Washer-latch, #2 Medium
23	0704105	Screw, #8-32 X 1/2" Lg., THMS
24	720701001	Rivet, Platform Base
25	07032001	Screw, #8-18 X 7/16" Type "25", HHWF S.S.
26	45508200	Valve Block Assembly
27	48195006	Clamp, Hose .470 I.D.
28	45185	Pump & Motor Assembly, 3-Roller
29	0704107	Screw, #8-32 x 5/8" Lg., THMS
30*	720501706	Cap Plug Vinyl

*Not Shown



ILLUSTRATED PARTS LIST

PLATFORM ASSEMBLY WITHOUT FLUSH/DISPENSE OPTION, QST NT - P/N 720401809





ILLUSTRATED PARTS LIST

PLATFORM ASSEMBLY WITHOUT FLUSH/DISPENSE OPTION, QST NT - P/N 720401809

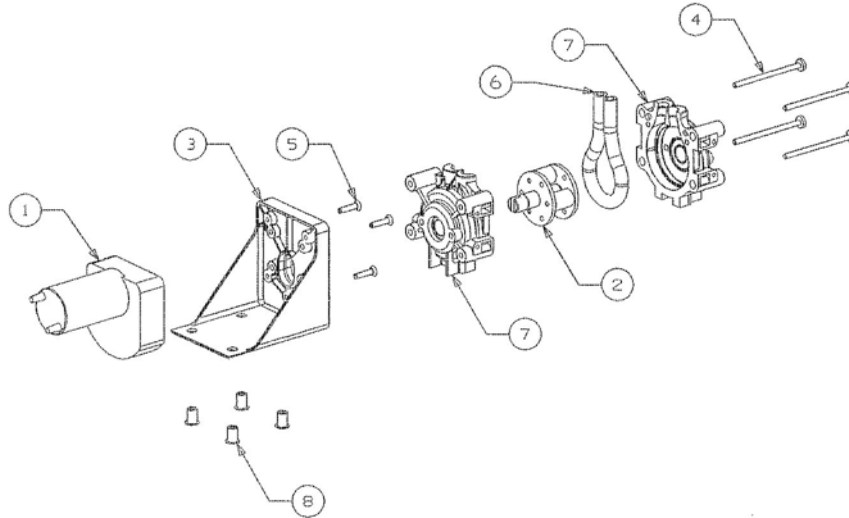
Item No.	Part Number	Description
1	720601337	Tube Asmb. Water Valve Inlet
2	720500033	Mixing Chamber
4	724558601	Clip, Retainer Tube 1.25 Long
5	70171	Screw, #8-32 x 3/8" Lg., THMS
6	720201433	Valve Mtg. Brkt. Asmb.
7	720202704	Base Platform SLJ Quest
8	45586	Hook Washer, Hold Down 1" Long
9	720601338	Tube, Asmb. Concentrate (OUT)
10	720601339	Tube, Asmb. Concentrate (IN)
11	31525003	O-Ring, 3/8" O.D. X .239" I.D.
12	11732	Wire Harness, Platform, SLJ1000-2
13	620046159	Adapter, No Flush Caddy W/O Soldout
14	45046	Latch-#2 Medium, S.S.
15	45047	Guide-latch, #2 Medium
16	45048	Washer-latch, #2 Medium
17	0704105	Screw, #8-32 X 1/2" Lg., THMS
18*	720701001	Rivet, Platform Base
19	07032001	Screw, #8-18 X 7/16" Type "25", HHWF S.S.
20	45508200	Valve Block Assembly
21	48195006	Clamp, Hose .470 I.D.
22	45185	Pump & Motor Assembly, 3-Roller
23	0704107	Screw, #8-32 x 5/8" Lg., THMS

*Not Shown



ILLUSTRATED PARTS LIST

PUMP ASSEMBLY - P/N 45185



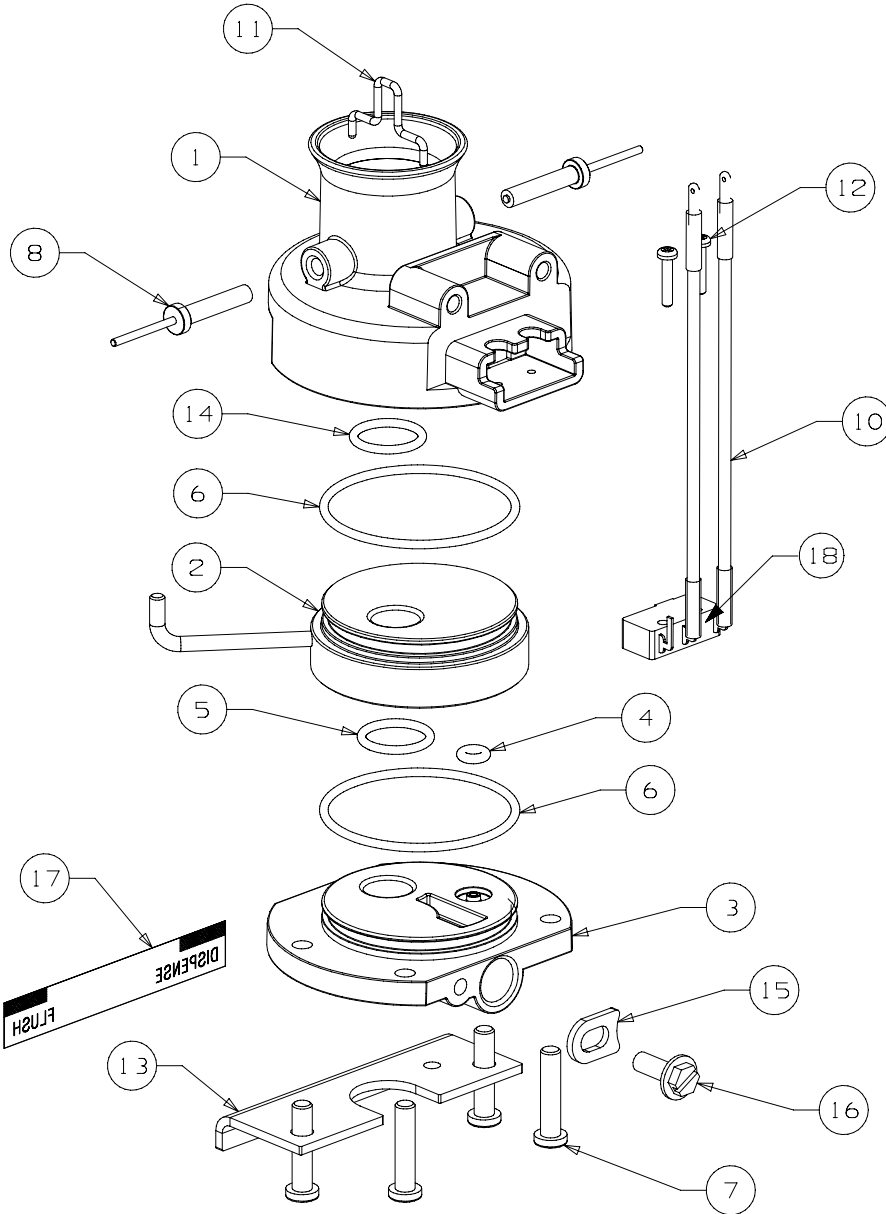
Item No.	Part Number	Description
1	45016001	Pump Gear Motor
2	45728001	Rotor Assembly (Thick Wall)
3	45050	Pump & Motor Mounting Block
4	720701407	Screw, #8-32 X 2-3/4 PHIL, PH Machine
5	0702905	Screw, #8-32 X 3/4" FHMS
6	45098	Pump Tubing Kit (pump tubing, clamps, & instructions)
*	45078	Pump Assembly (Items 2 & 7)
7	45727	Half Pump Body, Front or Rear
8	45283	Rubber Bushing w/Nut Insert

*Not Shown



ILLUSTRATED PARTS LIST

BOTTLE ADAPTER ASSEMBLY - P/N 45026





ILLUSTRATED PARTS LIST

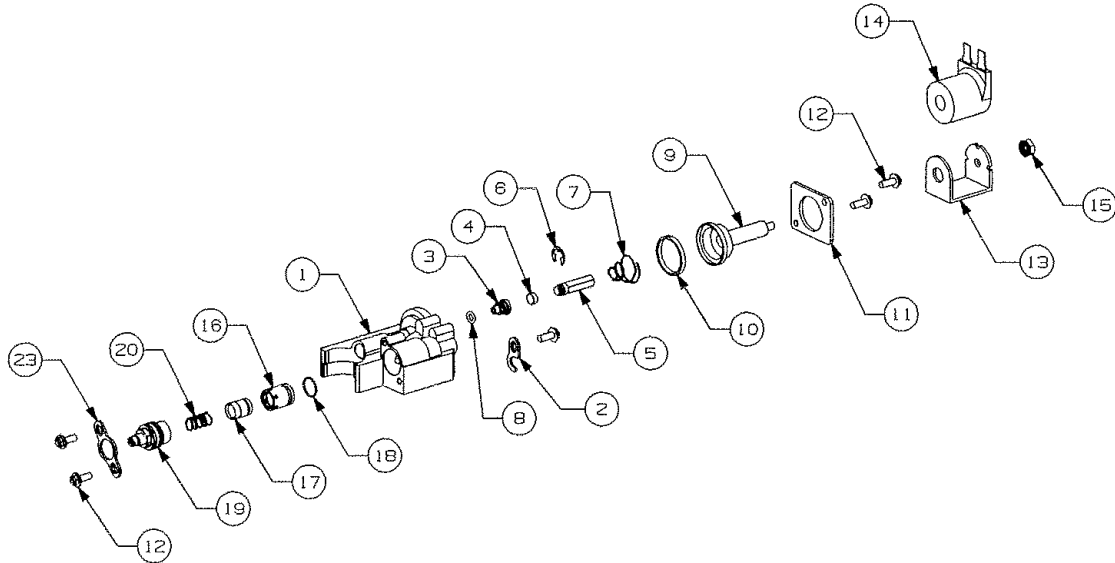
BOTTLE ADAPTER ASSEMBLY - P/N 45026

Item No.	Part Number	Description
1	45060001	Caddy Adapter, Top
2	45060002	Run & Flush Valve
3	45060003	Caddy Adapter, Bottom
4	31525062	O-Ring 0.276 OD X 0.118 ID
5	31525064	O-Ring 5/8" OD X 0.489 ID Teflon/Silicone
6	31525061	O-Ring 1.489" ID X 0.070" Dia.
*	45026100	O-Ring Kit (includes all O-rings needed to rebuild bottle adapter)
7	07015001	Screw, #8-18 Hi-Lo, Ph.
8	45043	Pin-Sensor, Sold Out
10	720301724	Harness, Switch, Snap Action
11	45076	Actuator Pin
12	60067086	Screw, #2-56 X 7/16" PH, SS
13	720201611	Caddy Bottom Plate
14	31525014	O-Ring 5/8" OD X 0.489 ID
15	71822081	Hold Down Washer
16	07032001	Screw, #8-18 X 7/16 Type "25" HHWF
18	60068021	Switch, Snap Action



ILLUSTRATED PARTS LIST

VALVE BLOCK ASSEMBLY - P/N 45508200

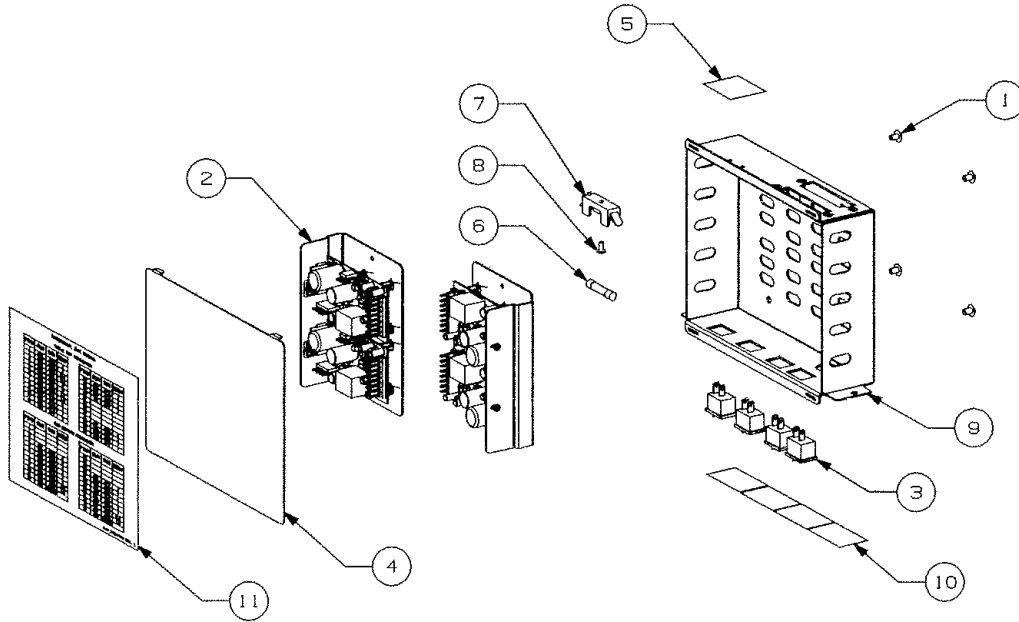


Item No.	Part Number	Description
1	45506100	Valve Block
2	45586	Hold Down Washer
3	49612	Valve Port, Water
4	620711131	Armature Seat, Water
5	71860290	Armature, Solenoid Valve
6	71815321	Retaining Ring, 0.242 ID
7	18367	Coil Spring, SS
8	31525020	O-Ring 5/16" OD X 0.176 ID
9	19695001	Guide Housing Armature
10	620710107	Rubber Gasket, Valve Block
11	45518	Bracket, Valve Block
12	07032001	Screw, #8-18 X 7/16" Type "25" HHWF SS
13	16779003	"C" Frame, Solenoid
14	48520001	Coil, 24VDC
15	0720406	Nut #10-32 KEPS
16	60281001	Ceramic Sleeve, Syrup
17	60280002	Ceramic Piston, Water
18	31525060	O-Ring .539" X .459" X .040
*	48979103	Spool & Sleeve Assembly (includes items 16, 17, & 18)
19	7245699	Flow Control/Bonnet Assembly
20	48258005	Spring, Syrup
23	45587	Hold Down Washer



ILLUSTRATED PARTS LIST

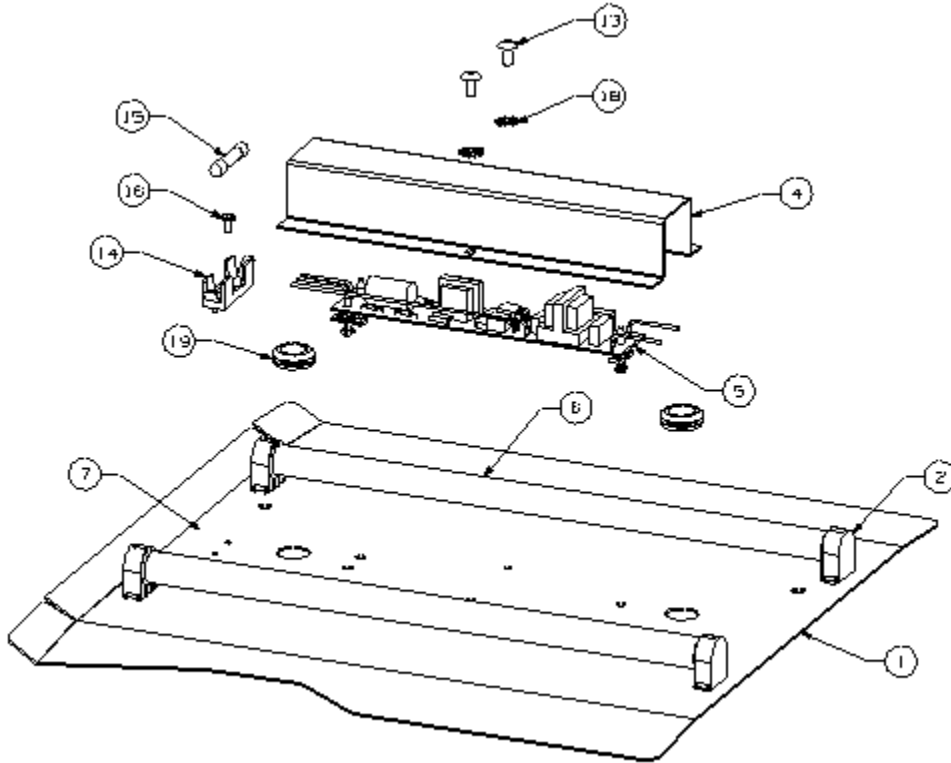
ELECTRICAL BOX ASSEMBLY - P/N 720504304



Item No.	Part Number	Description
1	07061003	Screw, #10 Type "F" HHWF, 3/8" Lg.
2	720504504	Voltage Regulator Assembly
*	45012102	Voltage Regulator Board Only (includes insulator)
3	45432	High/Low Speed Rocker Switch
4	720504414	Cover, Electrical Box
5	45758	Label - Fuse Rating
6	59328001	Fuse, 6.25 Amp, 250VAC
7	7245059	Fuse Holder
8	Not Available	Pop Rivet
9	Not Available	Electrical Box
10	45621	Label, Speed Switch
11	720500716	Label Wiring Elec. Box QST 4

*Not Shown

720500707 Light Panel



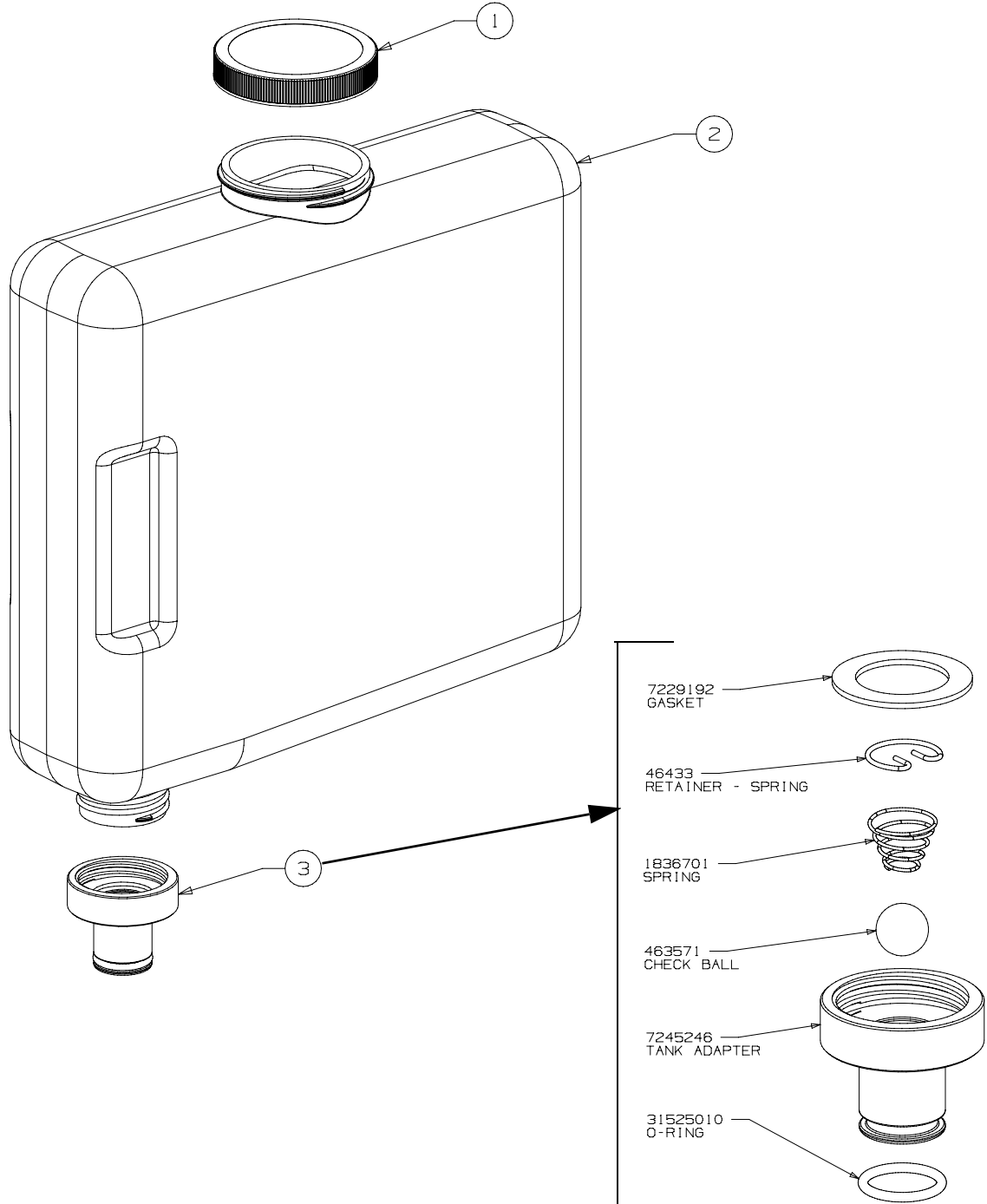
2	Bulb Holder	720202312
4	Cover/Guard Ballast Board	720511605
5	Ballast Lamp	720511606
6	Lamp Fluorescent	31314
14	Fuse Holder	7245059
15	Fuse	60093001
19	Grommet	1015776

Items on schematic not listed above are not available as service parts



ILLUSTRATED PARTS LIST

GENERIC BOTTLE ASSEMBLY - P/N 720500066



Item No.	Part Number	Description
1	720202010	Cap
2	720401106	Bottle, Generic - Refillable
3	45248	Molded Adaptor Asmb.



ILLUSTRATED PARTS LIST

RECOMMENDED SPARE PARTS LIST 115VAC

QUEST SERIES JUICE DISPENSER - 115VAC (BASED ON 10 MACHINES)

Part Number	Description	Qty
729011132	Kit, Parts - Stocking	1
560004360	Condenser Fan, Motor 115VAC	1
620711131	Seat, Armature - Water Valve	2
18367	Spring, Coil S/S - Water Solenoid	2
31314	Fluorescent Bulb	2
45028	Transformer, 115VAC	1
45098	Pump Tubing Kit (Bulk rolls, use 7245037)	4
45432	Inner Door Switch	1
7215323	Armature - Water Solenoid	1
7245699	Flow Control/Bonnet Assembly	2
620710107	Rubber Gasket	2
19695001	Guide, Water Solenoid	1
31525037	O-Ring - Dispensing Nozzle	2
45012102	Voltage Regulator Board	2
45016001	Pump Gear Motor	2
45026100	Bottle Adapter O-Ring Kit (all O-rings in bottle adapter)	1
45091001	Main Water Solenoid Valve	1
45728001	Pump Rotor Assembly	1
48520001	Coil, 24VDC, Valve Block	1
48979103	Spool & Sleeve Asmb w/ 31525-060 O-Ring	2
59328001	Fuse, 6.25 Amp, 250VAC	4
440000902	Global Ice Bank Control (115VAC)	1
720500014	Drip Tray Grill	1
720500104	Drip Tray	1
720500710	Door Gasket	1
720704004	Catch, Cabinet	1
720502800	Agitator Motor	1
729011001	Compressor, 115V/60Hz, R-134a	1
720503206	Overload, Compressor, 115VAC	1
1043762	Relay, Compressor, 115VAC	1
720503208	Capacitor, Compressor, 115VAC	1
720401907	Cabinet Fan, 115VAC	2
620715835	Dispense Nozzle, Static Mixer, & O-Ring	1
720508801	Push Button Control Board	1
720508802	Portion Control Board	2
720511606	Ballast Board	1
720703502	Foam Gasket, Lower Door	1
720704005	Latch, Door	1
620408268	Water Coil	1
720504904	Frame Assy, Base	1
60093001	Fuse 2.0 Amp 250 Volt	4



ILLUSTRATED PARTS LIST

RECOMMENDED SPARE PARTS LIST 230VAC

QUEST SERIES JUICE DISPENSER - 230VAC (BASED ON 10 MACHINES)

Part Number	Description	Qty
729011132	Kit, Parts - Stocking	
560004361	Condenser Fan, Motor 230VAC	1
18071	Seat, Armature - Water Valve	2
18367	Spring, Coil S/S - Water Solenoid	2
31314	Fluorescent Bulb	2
720500794	Transformer, 230VAC	1
45098	Pump Tubing Kit	4
45432	Inner Door Switch	1
7215323	Armature - Water Solenoid	1
7245699	Flow Control/Bonnet Assembly	2
620710107	Rubber Gasket	2
19695001	Guide, Water Solenoid	1
31525037	O-Ring - Dispensing Nozzle	2
45012102	Voltage Regulator Board	2
45016001	Pump Gear Motor	2
45026100	Bottle Adapter O-Ring Kit (all O-rings in bottle adapter)	1
45091001	Main Water Solenoid Valve	1
45728001	Pump Rotor Assembly	1
48520001	Coil, 24VDC, Valve Block	1
48979103	Spool & Sleeve Asmb w/ 31525-060 O-Ring	2
59328001	Fuse, 6.25 Amp, 250VAC	4
440000901	Global Ice Bank Control (230VAC)	1
720500014	Drip Tray Grill	1
720500104	Drip Tray	1
720500710	Door Gasket	1
720704004	Catch, Cabinet	1
720502803	Agitator Motor	1
720503202	Compressor, 230V/50Hz, R-134a	1
720503209	Overload, Compressor, 230VAC	1
720503210	Relay, Compressor, 230VAC	1
720506104	Cabinet Fan, 230VAC	2
720507101	Dispense Nozzle, Static Mixer, & O-Ring	1
720508801	Push Button Control Board	1
720508802	Portion Control Board	2
720511606	Ballast Board	1
720703502	Foam Gasket, Lower Door	1
720704005	Latch, Door	1
620408268	Water Coil	1
60093001	Fuse 2.0 Amp 250 Volt	4