

ILLUSTRATED PARTS LIST

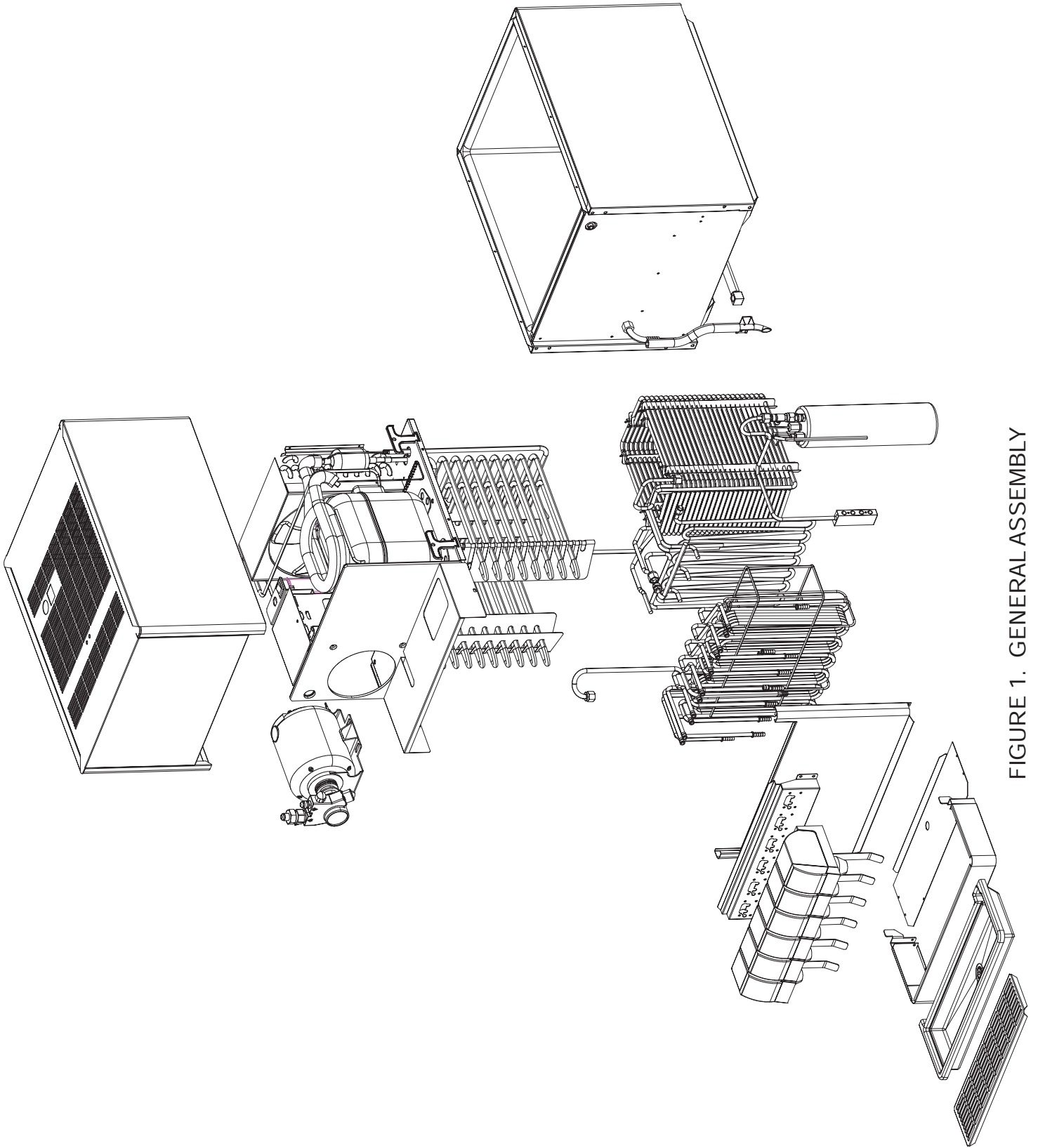


FIGURE 1. GENERAL ASSEMBLY

ILLUSTRATED PARTS LIST

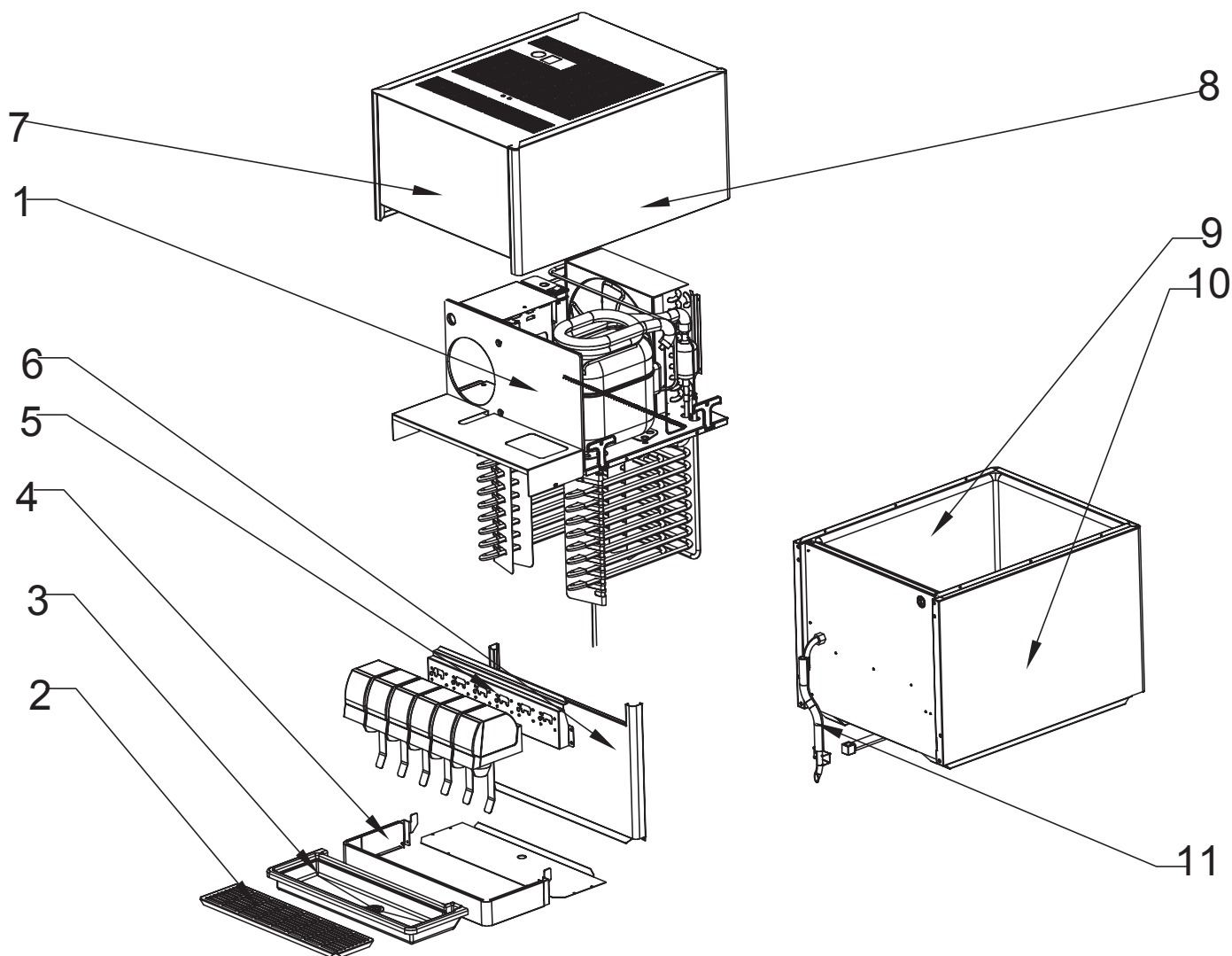


FIGURE 2. HOOD AND PANEL COMPONENTS

No	Part No.	DESCRIPTION
1		Chasis Rfg. Assy.
2	890511110	CUP REST
3	890517201	TRAY
4	890511108	TRAY BRACKET
5	890511109	6 VALVE PANEL
6	890511105	FRONT PANAL
7	890511107	LID UPPER
8	890511106	LID SIDE
9	890517301	WATER BATH
10	890511104	WRAP
11	310445000	BATH FALL TUBE

ILLUSTRATED PARTS LIST

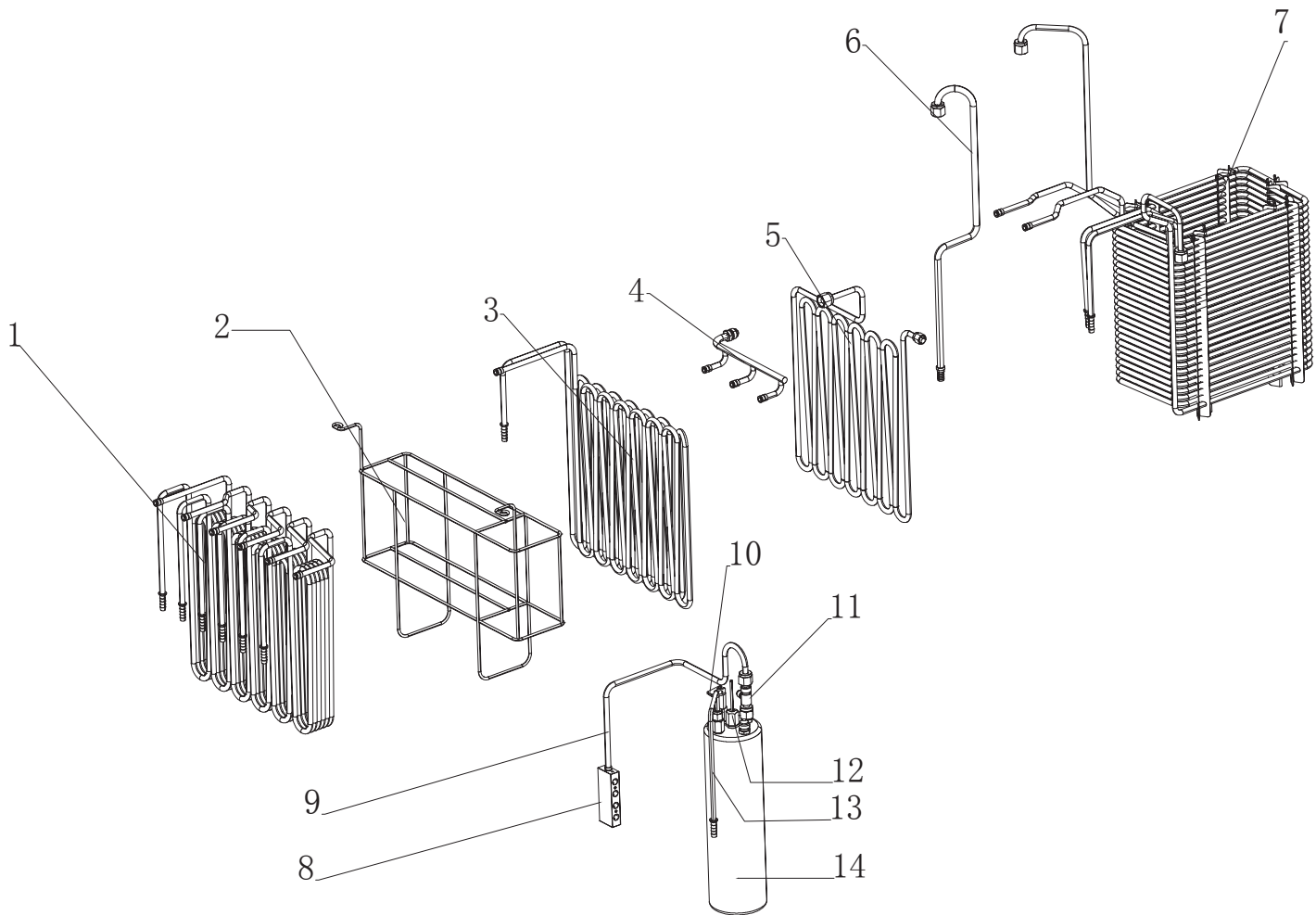


FIGURE 3. COIL AND CARBONATOR COMPONENTS

No	Part No.	DESCRIPTION
1	890512401~6	SYRUP COIL
2	890516706	COIL BRACKET
3	890512413	
4	890512501	MANIFORM TUBE-1
5	890512407	WATER COIL-1
6	890512503	WATER INLET TUBE
7	890512412	WATER COIL CENTRE
8	890517611	MANIFOLD
9	890512414	CARB-BLOCK TUBE
10	71860230	SAFETY VALVE
11	77068200	T FITTING

No	Part No.	DESCRIPTION
12	890514406	PROBE
13	890512301	CO2 TUBE

ILLUSTRATED PARTS LIST

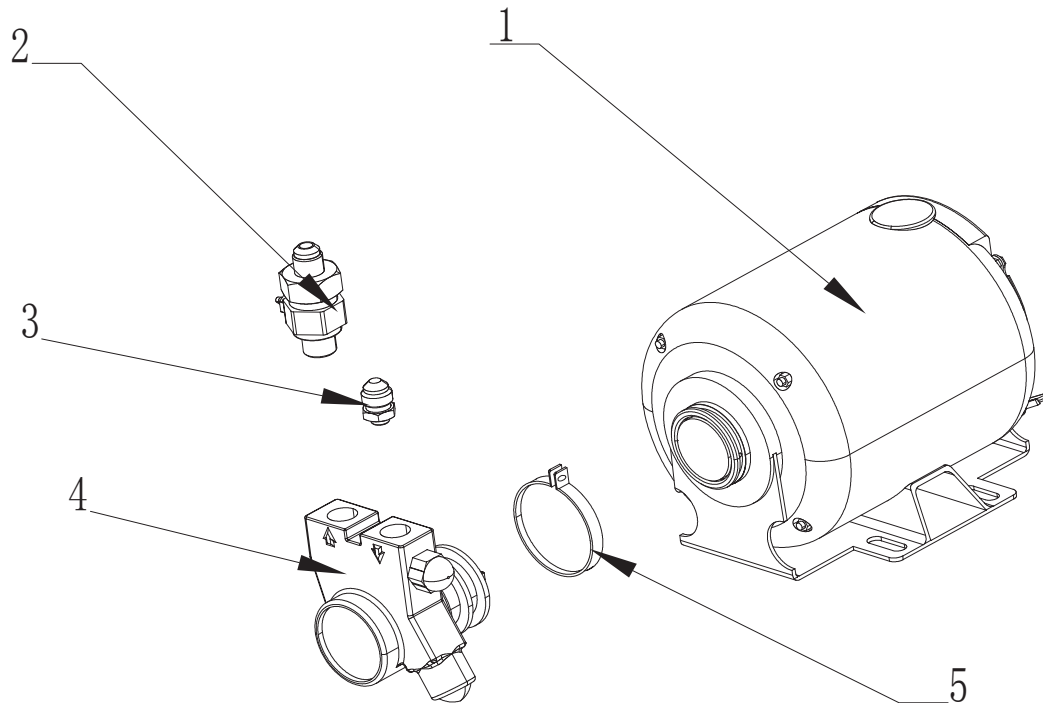


FIGURE 4. PUMP AND MOTOR ASSEMBLY

No	Part No.	DESCRIPTION
1	560004940	MOTOR
2	620608773	CHECK VALVE
3	111337000	FITTING
4	60170	PUMP
5	187483000	CLAMP

ILLUSTRATED PARTS LIST

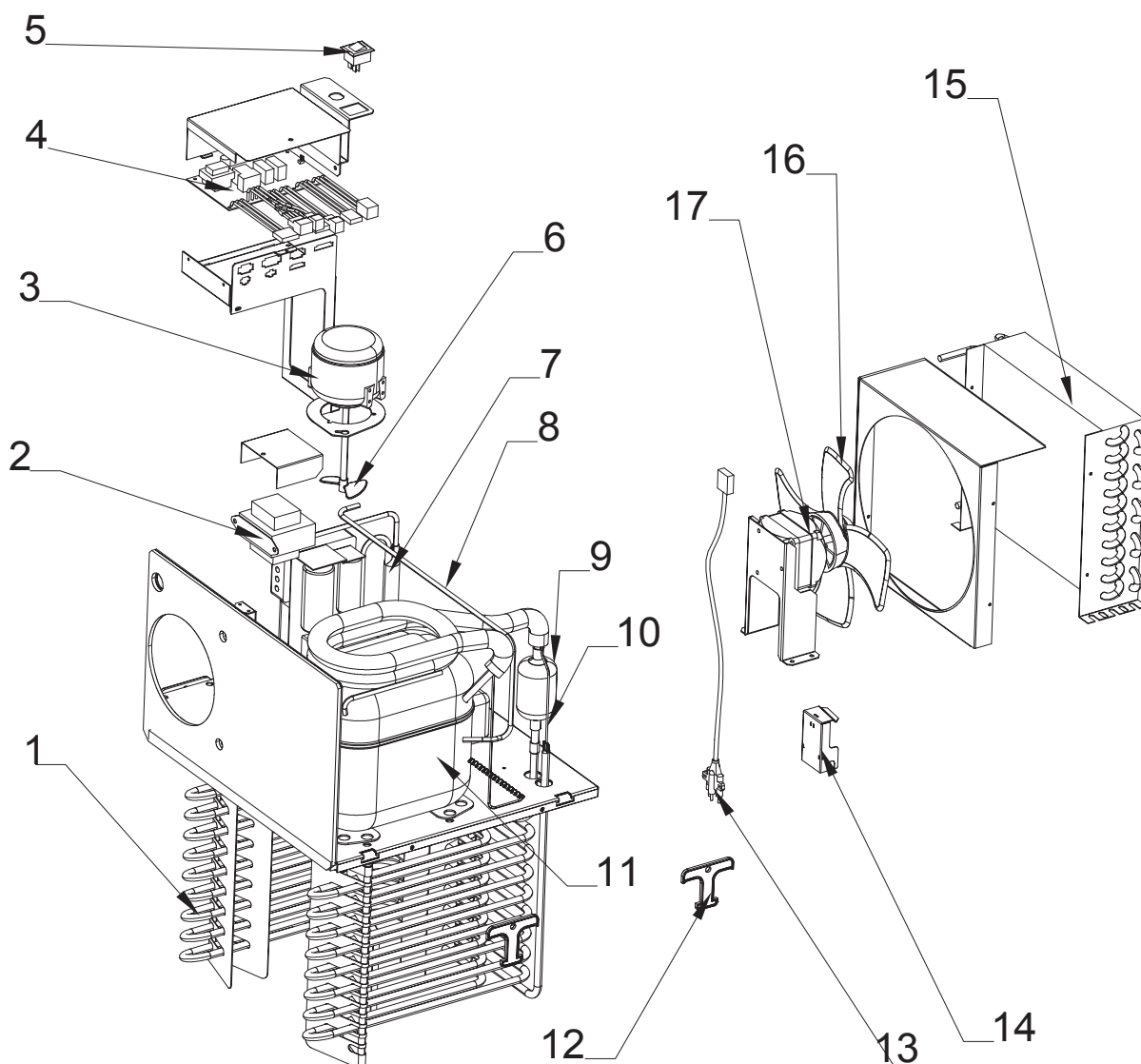


FIGURE 5. REFRIGERATION ASSEMBLY

No	Part No.	DESCRIPTION
1	890513501	EVAPORATOR ASSY
2	560002114	TRANSFORMER
3	318168002	Agitator Motor
4	449999973	PCB
5	560002735	Switch
6	3600	Agitator Blade
7	580450066	DRYER
8	890513201	DISCHARGE TUBE
9		STORAGE TANK
10	2RW237A	CAPILLARY
11	890515201	COMPRESSOR

No	Part No.	DESCRIPTION
12	4556	Handle
13	560003860	ICE Bank Probe
14	890511102	SEAT SENSE POLE
15	2RFO96A-AL	CONDENSER
16	856012045	Fan Blade
17	890514101	FAN MOTOR