



**IDC255**

ICE DRINK DISPENSER



Unit shown with UFB-1™ sanitary lever valves. Available with 8 or 10 valve configuration

## FEATURES

**Quality** - Delivers bottle-quality drinks every time with built-in cold carbonator

**Intellcarb™** - Meets IntelliCarb™ specification

**Merchandising** - Creates high-impact marketing messages delivered with easily modified illuminated merchandiser

**Intelligent** - Automatically separates ice dispensed into cups from ice used to cool cold plate

**Accommodating** - Reduces ice spillage with increased drip tray capacity

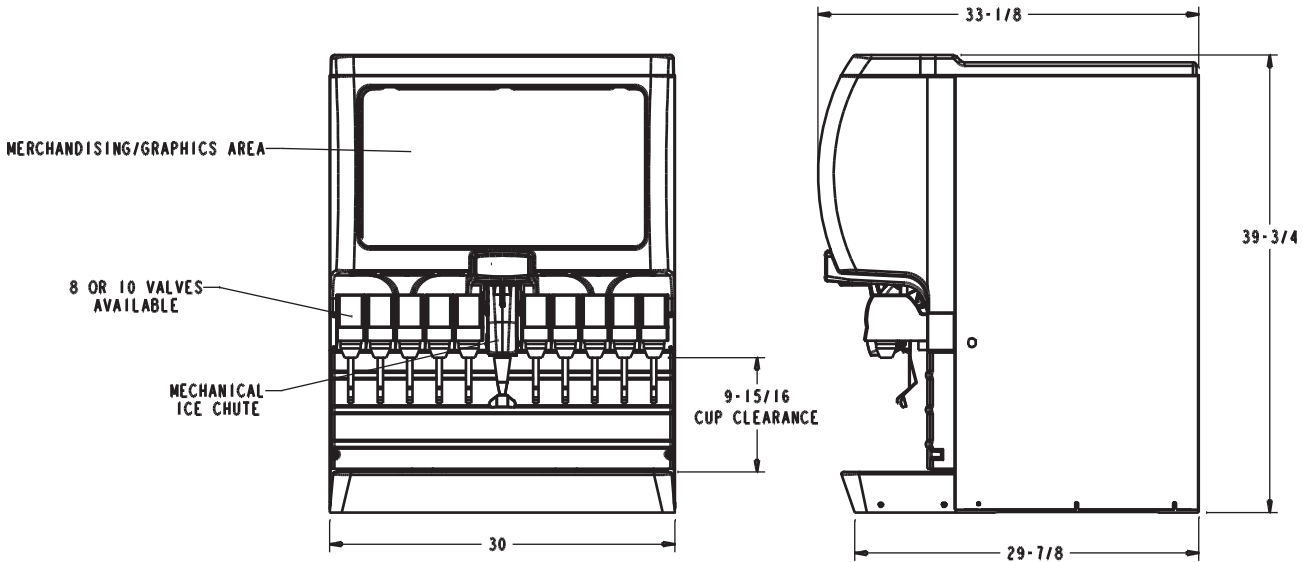
**Flexibility** - Dispenses different ice types thanks to the contour of the hopper and geometry of the beverage dispenser

**Ice system** - Readily accepts top-mounted ice makers with manual ice-fill capability

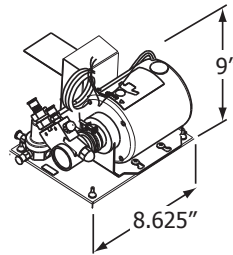
**TotalFlex™ manifold** - easily changes from carbonated to non-carbonated

**Easy to use** - Requires only one electrical outlet  
- Easy front access to carbonator tank  
- Simple motor removal





NOTE: PUMP & MOTOR ASSEMBLY  
MUST BE POSITIONED WITHIN  
8 FEET OF THE DISPENSER



PART NUMBER	DESCRIPTION
621057405	IDC255 with 8 UFB-1™ 2-4 oz Sanitary Lever valves, 115 V / 60 Hz
621057403	IDC255 with 8 UFB-1™ 2-4 oz Push Button valves, 115 V / 60 Hz
621057407	IDC255 with 10 UFB-1™ 2-4 oz Sanitary Lever valves, 115 V / 60 Hz
621057406	IDC255 with 10 UFB-1™ 2-4 oz Push Button valves, 115 V / 60 Hz

## TECHNICAL SPECIFICATIONS

TYPE OF VALVES . . . . .	UFB-1™ 2-4 oz / sec post-mix	DRAIN SIZE . . . . .	0.75" (19.1 mm) pvc (npt) pipe or flexible tubing
NUMBER OF VALVES . . . . .	8 or 10	ELECTRICAL REQUIREMENTS . .	115 V / 60 Hz / 9.3 Amps or 230 V / 50/60 HZ / 4.7 Amps
BEVERAGE MANIFOLDING . . . . .	TotalFlex™	SHIPPING WEIGHT . . . . .	350 lb (150 kg)
CUP CLEARANCE . . . . .	10"	AGENCY LISTINGS . . . . .	   City of Los Angeles
GRAPHIC DIMENSIONS . . . . .	(Template Available)		
ICE STORAGE CAPACITY . . . . .	255 lb (115.7 kg)		
CONNECTIONS . . . . .	Water: 0.375" (9.5 mm) Syrup: 0.375" (9.5 mm)		
STANDARD FEATURES . . . . .	Timed ice agitation, key switch and 4" legs		

Pepsi is a registered trademark of Pepsi Co, Inc.



© 2014 CORNELIUS

CP5009-0714

IN THE U.S.A.  
Ph: 800.238.3600  
Fax: 800.258.0255

OUTSIDE THE U.S.A.  
Ph: 763.488.8200  
Email: webmaster@cornelius.com

101 Broadway Street West  
Osseo, MN 55369  
www.cornelius.com

For more information or to place an order, contact your sales representative or authorized distributor.