

CNM SERIES

CNM03300A4, CNM0530**0A4, CNM0330**5A4,
CNM0530**5A4, CNM0630**5A4, CNM0630**6A4**

ILLUSTRATED PARTS LIST



Release Date: April 19, 2018

Publication Number: 548000034

Revision Date: December 2, 2019

Revision: C

Visit the Cornelius web site at www.cornelius.com for all your Literature needs.

Notice

The products, technical information, and instructions contained in this manual are subject to change without notice. These instructions are not intended to cover all details or variations of the equipment, nor to provide for every possible contingency in the installation, operation or maintenance of this equipment. This manual assumes that the person(s) working on the equipment have been trained and are skilled in working with electrical, plumbing, pneumatic, and mechanical equipment. It is assumed that appropriate safety precautions are taken and that all local safety and construction requirements are being met, in addition to the information contained in this manual.

This Product is warranted only as provided in Cornelius' Commercial Warranty applicable to this Product and is subject to all of the restrictions and limitations contained in the Commercial Warranty.

Cornelius will not be responsible for any repair, replacement or other service required by or loss or damage resulting from any of the following occurrences, including but not limited to, (1) other than normal and proper use and normal service conditions with respect to the Product, (2) improper voltage, (3) inadequate wiring, (4) abuse, (5) accident, (6) alteration, (7) misuse, (8) neglect, (9) unauthorized repair or the failure to utilize suitably qualified and trained persons to perform service and/or repair of the Product, (10) improper cleaning, (11) failure to follow installation, operating, cleaning or maintenance instructions, (12) use of "non-authorized" parts (i.e., parts that are not 100% compatible with the Product) which use voids the entire warranty, (13) Product parts in contact with water or the product dispensed which are adversely impacted by changes in liquid scale or chemical composition.

Correct Disposal of this Product



RECYCLE

This marking indicates that this product should not be disposed with other household wastes throughout the EU. To prevent possible harm to the environment or human health from uncontrolled waste disposal, recycle it responsibly to promote the sustainable reuse of material resources. To return your used device, please use the return and collection systems or contact the retailer where the product was purchased. They can take this product for environmental safe recycling.

Trademarks and Copyrights

This document contains proprietary information and it may not be reproduced in any way without permission from Cornelius. This document contains the original instructions for the unit described.

CORNELIUS INC
101 Regency Drive
Glendale Heights, IL
Tel: + 1 800-238-3600

Printed in U.S.

Contact Information

To inquire about current revisions of any documentation or assistance with any Cornelius product, contact:

www.cornelius.com
800-238-3600

TABLE OF CONTENTS

| | |
|------------------------------|----|
| NOMENCLATURE..... | 1 |
| CABINET PART LIST | 2 |
| WATER SYSTEM PART LIST | 5 |
| AIR COOLED PART LIST | 8 |
| WATER COOLED PART LIST..... | 11 |
| REMOTE PART LIST | 14 |
| ELECTRICAL PART LIST | 16 |

NOMENCLATURE

This parts list contains the service parts available for the following CNM Series.

| | |
|---------------------|---------------------|
| CNM0330**0A4 | 115/60/1 |
| CNM0530**0A4 | 115/60/1 |
| CNM0630**6A4 | 208-230/60/1 |
| CNM0330**5A4 | 220-240/50/1 |
| CNM0530**5A4 | 220-240/50/1 |
| CNM0630**5A4 | 220-240/50/1 |

NOTE: * = Represent Condenser Type and Cube Size Refer below for more details.

Model Number Example:

CNM0330AH0A4

CNM = **C**ornelius **N**ordic **M**odular

03 = 300 lb, in 24 hours capacity

30 = 30 inch wide cabinet

A = Air Cooled Condenser, **W** = Water Cooled Condenser, **R** = Remote Cooled Condenser

H = Half Cube Size, **F** = Full Cube Size **G** = Grande Cube Size

0 = 115 Volt, **5** = 220-240 V / 50 Hz / 1 Phase **6** = 208-230 Volt / 60 Hz / 1 Phase **7** = 3 Phase

4 = New Revision

Check the model number on the data plate and refer to the correct listing for the specific component.

Check carefully that the correct part is identified and ordered.

CABINET PART LIST

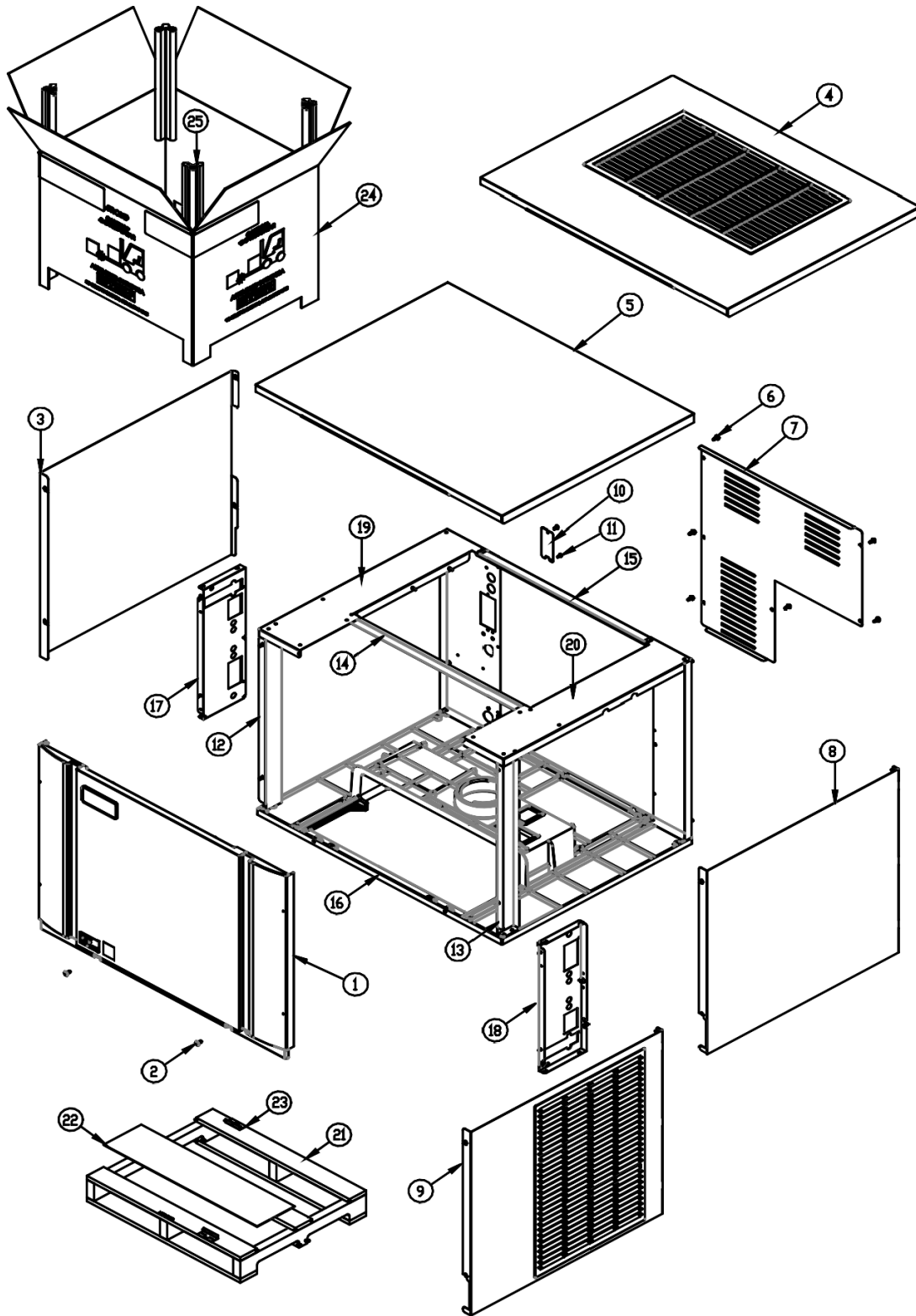


Figure 1.



NOTE: * = Represent Condenser Type and Cube Size Refer page 1 for more details.

| Item No. | Model Number | | | Description |
|----------|--------------|--------------|--------------|---|
| | CNM0330**0A4 | CNM0530**0A4 | CNM0630**6A4 | |
| | 115/60/1 | 115/60/1 | 208-230/60/1 | Machine Voltage |
| 1. | 620060127 | 620060127 | 620060127 | Front Panel |
| 2. | 620060151 | 620060151 | 620060151 | Front Panel Screws |
| 3. | 620060141 | 620060141 | 620060141 | Left Side Panel |
| 4. | 620060135 | 620060135 | 620060135 | Top Panel-Air Cooled |
| 5. | 620060143 | 620060143 | 620060143 | Top Panel-Remote and Water Cooled |
| 6. | 620204441 | 620204441 | 620204441 | Rear Cover Screws |
| 7. | 620060136 | 620060136 | 620060136 | Rear Cover |
| 8. | 620060142 | 620060142 | 620060142 | Right Side Panel-Remote and Water Cooled |
| 9. | 620060134 | 620060134 | 620060134 | Right Side Panel-Air Cooled |
| 10. | 620060140 | 620060140 | 620060140 | Junction Box Cover |
| 11. | 620204441 | 620204441 | 620204441 | Junction Box Screw |
| 12. | 620060125 | 620060125 | 620060125 | Left Front Corner Post |
| 13. | 620060126 | 620060126 | 620060126 | Right Front Corner post |
| 14. | 620060138 | 620060138 | 620060138 | Brace 30 Inch |
| 15. | 620060137 | 620060137 | 620060137 | Rear Brace |
| 16. | 620060160 | 620060160 | 620060160 | Base |
| 17. | 620060123 | 620060123 | 620060123 | Front Left Brace |
| 18. | 620060124 | 620060124 | 620060124 | Front Right Brace |
| 19. | 620060121 | 620060121 | 620060121 | Right Side Framework 30" Assembly |
| 20. | 620060122 | 620060122 | 620060122 | Left Side Framework 30" Assembly |
| 21. | 620060146 | 620060146 | 620060146 | Elevation Skid 30 Inch |
| 22. | 620060148 | 620060148 | 620060148 | Carton Liner 30 Inch |
| 23. | 620060170 | 620060170 | 620060170 | Shipping Bracket 2 Req.(Field Installed) |
| 24. | 620060147 | 620060147 | 620060147 | Carton, Elevation 30 Inch |
| 25. | 620060145 | 620060145 | 620060145 | Corner Post (Each), Elevation, (4 Required) |
| 26. | 620060150 | 620060150 | 620060150 | Pop Rivets Not Shown (Package of 10) |



NOTE: * = Represent Condenser Type and Cube Size Refer page 1 for more details.

| 220-240/50/1 - Machine Voltage | | | | |
|--------------------------------|--------------|--------------|--------------|--|
| Item No. | Model Number | | | Description |
| | CNM0330**5A4 | CNM0530**5A4 | CNM0630**5A4 | |
| 1. | | | 620060127 | Front Panel |
| 2. | 620060151 | 620060151 | 620060151 | Front Panel Screws |
| 3. | 620060141 | 620060141 | 620060141 | Left Side Panel |
| 4. | 620060135 | 620060135 | 620060135 | Top Panel-Air Cooled |
| 5. | Not Used | 620060143 | 620060143 | Top Panel-Remote and Water Cooled |
| 6. | 620204441 | 620204441 | 620204441 | Rear Cover Screws |
| 7. | 620060136 | 620060136 | 620060136 | Rear Cover |
| 8. | Not Used | 620060142 | 620060142 | Right Side Panel-Remote and Water Cooled |
| 9. | 620060134 | 620060134 | 620060134 | Right Side Panel-Air Cooled |
| 10. | 620060140 | 620060140 | 620060140 | Junction Box Cover |
| 11. | 620204441 | 620204441 | 620204441 | Junction Box Screw |
| 12. | 620060125 | 620060125 | 620060125 | Left Front Corner Post |
| 13. | 620060126 | 620060126 | 620060126 | Right Front Corner post |
| 14. | 620060138 | 620060138 | 620060138 | Brace 30 Inch |
| 15. | 620060137 | 620060137 | 620060137 | Rear Brace |
| 16. | 620060160 | 620060160 | 620060160 | Base |
| 17. | 620060123 | 620060123 | 620060123 | Front Left Brace |
| 18. | 620060124 | 620060124 | 620060124 | Front Right Brace |
| 19. | 620060121 | 620060121 | 620060121 | Right Side Framework 30"Assembly |
| 20. | 620060122 | 620060122 | 620060122 | Left Side Framework 30"Assembly |
| 21. | 620060146 | 620060146 | 620060146 | Elevation Skid 30 Inch |
| 22. | 620060148 | 620060148 | 620060148 | Carton Liner 30 Inch |
| 23. | 620060170 | 620060170 | 620060170 | Shipping Bracket 2 Req. (Field Installed) |
| 24. | 620060147 | 620060147 | 620060147 | Carton, Elevation 30 Inch |
| 25. | 620060145 | 620060145 | 620060145 | Corner Post (Each), Elevation,(4 Required) |
| 26. | 620060150 | 620060150 | 620060150 | Pop Rivets Not Shown (Package of 10) |

WATER SYSTEM PART LIST

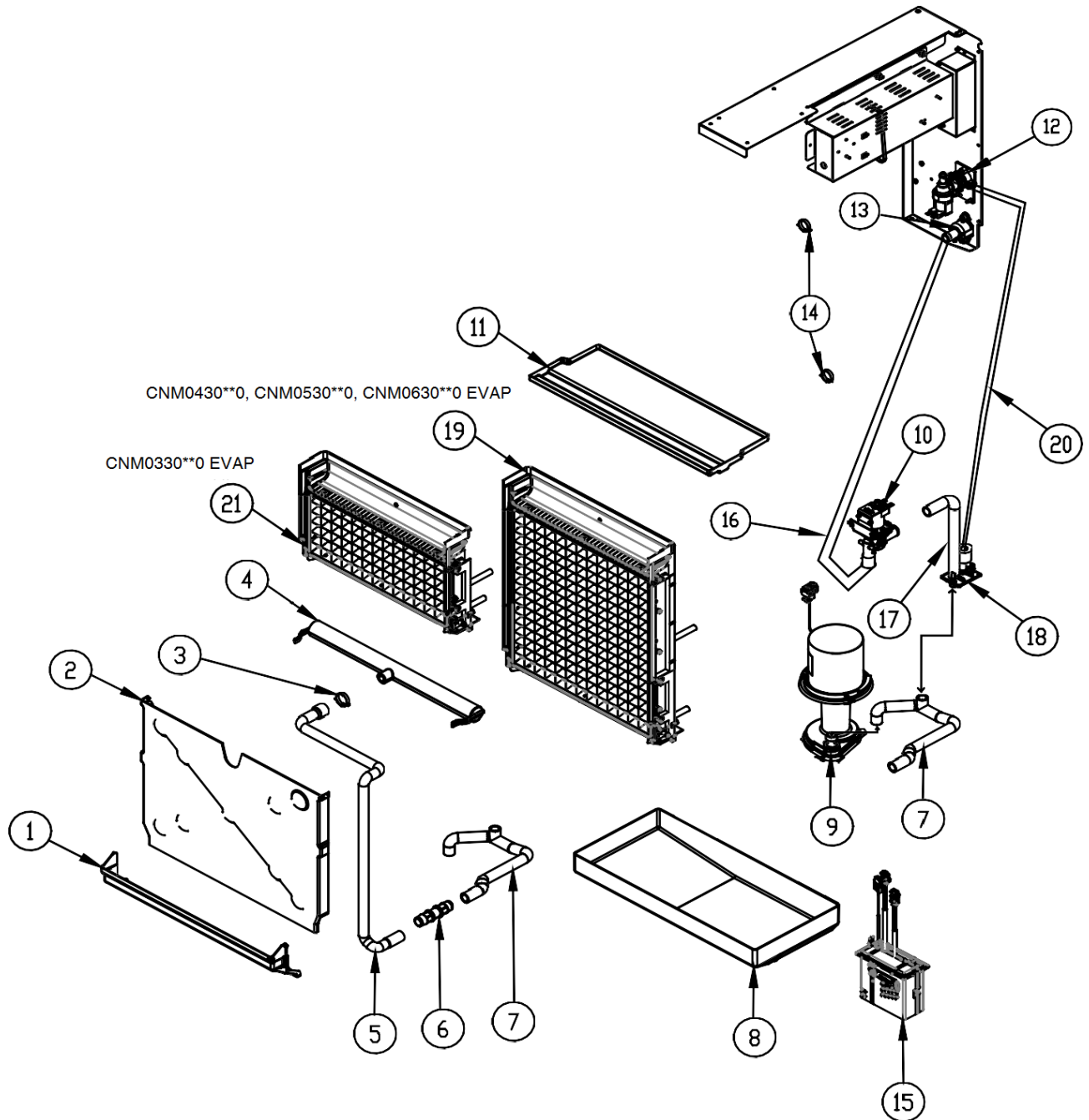


Figure 2.

The Model Number of the machine has a designator for the Cube Size:

| | | | |
|-----------------|-------------|---------------|-----------------------------|
| Example: | CNM0430AF0 | F = Full Cube | Cube Size = 7/8 x 7/8 x 7/8 |
| | CNM0430AH 0 | H = Half Cube | Cube Size = 3/8 x 7/8 x 7/8 |

NOTE: * = Represent Condenser Type and Cube Size Refer page 1 for more details.

| Sl. No | Model | | | Description |
|--------|--------------|--------------|--------------|--|
| | CNM0330**0A4 | CNM0530**0A4 | CNM0630**6A4 | |
| | 115/60/1 | 115/60/1 | 208-230/60/1 | Machine Voltage |
| 1. | 620060163 | 620060163 | 620060163 | Lower Curtain Assembly |
| 2. | 620060161 | 620060162 | 620060162 | Evaporator Cover |
| 3. | 620204421 | 620204421 | 620204421 | Hose Clamp, Plastic |
| 4. | 620060171 | 620060171 | 620060171 | Water Distribution Tube Assembly |
| 5. | 620060168 | 620060169 | 620060169 | Water Tube, Upper |
| 6. | 620060176 | 620060176 | 620060176 | Coupler, Straight, 5/8 I.D. Tubing |
| 7. | 620060167 | 620060167 | 620060167 | Water Tube, Sump |
| 8. | 620060164 | 620060164 | 620060164 | Sump/Water Trough |
| 9. | 620060132 | 620060132 | 620060133 | Water Pump |
| 10. | 620060002 | 620060002 | 620060003 | Purge Valve |
| 11. | 620060165 | 620060165 | 620060165 | Top Cover |
| 12. | 620060154 | 620060154 | 620060155 | Water Inlet Valve |
| 13. | 620060175 | 620060175 | 620060175 | Drain Fitting |
| 14. | 620204420 | 620204420 | 620204420 | Hose Clamp, Plastic |
| 15. | 620060120 | 620060120 | 620060120 | Float Switch Assembly (Includes Instructions) |
| 16. | 620060144 | 620060144 | 620060144 | Purge Valve Tubing to Drain |
| 17. | 620060159 | 620060159 | 620060159 | Purge Valve Tube to Inlet Outlet Bracket |
| 18. | 620060166 | 620060166 | 620060166 | Inlet Outlet Bracket |
| 19. | | 620060130 | 620060130 | Evaporator-FULL Cube = 7/8 x 7/8 x 7/8 |
| | | 620060131 | 620060131 | Evaporator-HALF Cube = 3/8 x 7/8 x 7/8 |
| 20. | 620060158 | 620060158 | 620060158 | Water Inlet Valve to Inlet Outlet Bracket Tube |
| 21. | 620060128 | | | Evaporator-FULL Cube = 7/8 x 7/8 x 7/8 |
| | 620060129 | | | Evaporator-HALF Cube = 3/8 x 7/8 x 7/8 |

NOTE: * = Represent Condenser Type and Cube Size Refer page 1 for more details.

| 220-240/50/1 Machine Voltage | | | | |
|------------------------------|--------------|--------------|--------------|--|
| Item No. | Model Number | | | Description |
| | CNM0330**5A4 | CNM0530**5A4 | CNM0630**5A4 | |
| 1. | 620060163 | 620060163 | 620060163 | Lower Curtain Assembly |
| 2. | 620060161 | 620060162 | 620060162 | Evaporator Cover |
| 3. | 620204421 | 620204421 | 620204421 | Hose Clamp, Plastic |
| 4. | 620060171 | 620060171 | 620060171 | Water Distribution Tube Assembly |
| 5. | 620060168 | 620060169 | 620060169 | Water Tube, Upper |
| 6. | 620060176 | 620060176 | 620060176 | Coupler, Straight, 5/8 I.D. Tubing |
| 7. | 620060167 | 620060167 | 620060167 | Water Tube, Sump |
| 8. | 620060164 | 620060164 | 620060164 | Sump/Water Trough |
| 9. | 620060133 | 620060132 | 620060133 | Water Pump |
| 10. | 620060003 | 620060003 | 620060003 | Purge Valve |
| 11. | 620060165 | 620060165 | 620060165 | Top Cover |
| 12. | 620060154 | 620060154 | 620060155 | Water Inlet Valve |
| 13. | 620060175 | 620060175 | 620060175 | Drain Fitting |
| 14. | 620204420 | 620204420 | 620204420 | Hose Clamp, Plastic |
| 15. | 620060120 | 620060120 | 620060120 | Float Switch Assembly (Includes Instructions) |
| 16. | 620060144 | 620060144 | 620060144 | Purge Valve Tubing to Drain |
| 17. | 620060159 | 620060159 | 620060159 | Purge Valve Tube to Inlet Outlet Bracket |
| 18. | 620060166 | 620060166 | 620060166 | Inlet Outlet Bracket |
| 19. | | 620060130 | 620060130 | Evaporator-FULL Cube = 7/8 x 7/8 x 7/8 |
| | | 620060131 | 620060131 | Evaporator-HALF Cube = 3/8 x 7/8 x 7/8 |
| 20. | 620060158 | 620060158 | 620060158 | Water Inlet Valve to Inlet Outlet Bracket Tube |
| 21. | 620060128 | | | Evaporator-FULL Cube = 7/8 x 7/8 x 7/8 |
| | 620060129 | | | Evaporator-HALF Cube = 3/8 x 7/8 x 7/8 |

AIR COOLED PART LIST

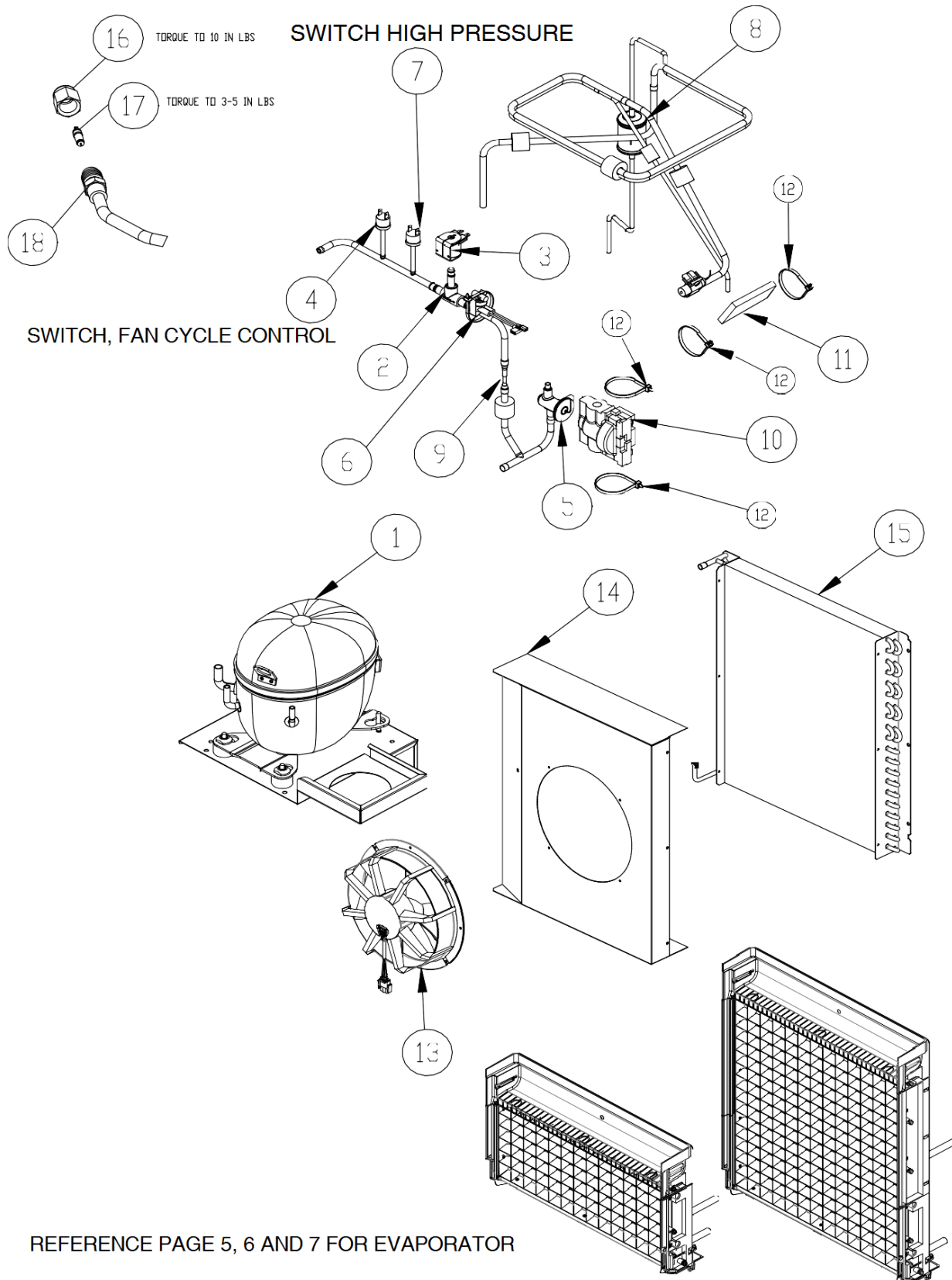


Figure 3.



NOTE: * = Ice Cube Size Refer page 1 for more details.

| Item No. | Model Number | | | Description |
|----------|--------------|--------------|--------------|---------------------------------------|
| | CNM0330A*0A4 | CNM0530A*0A4 | CNM0630A*6A4 | |
| | 115/60/1 | 115/60/1 | 208-230/60/1 | Machine Voltage |
| 1. | 620060206 | 620060202 | 620060204 | Compressor Kit |
| 2. | 620060186 | 620060184 | 620060184 | Hot Gas Valve Body |
| 3. | 620060187 | 620060187 | 620060188 | Hot Gas Valve Coil |
| 4. | 620060153 | 620060153 | 620060153 | Switch, Fan Cycle |
| 5. | 620204920 | 620204628 | 620204628 | TXV |
| 6. | 620060152 | 620060152 | 620060152 | High Temp Switch |
| 7. | 620060156 | 620060156 | 620060156 | Switch, High Pressure |
| 8. | 620204951 | 620204951 | 620204951 | Drier (Included in Compressor Kit) |
| 9. | 620060177 | 620060177 | Not Used | Restrictor |
| 10. | 620060179 | 620060179 | 620060179 | Insulation, TXV |
| 11. | 620060178 | 620060178 | 620060178 | Insulation, Bulb |
| 12. | 620060149 | 620060149 | 620060149 | Cable Tie-For TXV and Bulb Insulation |
| 13. | 620060189 | 620060189 | 620060190 | Fan Motor Assembly |
| 14. | 620060139 | 620060139 | 620060139 | Fan Shroud |
| 15. | 620060180 | 620060180 | 620060180 | Condenser |
| 16. | 620204535 | 620204535 | 620204535 | Service Valve Cap |
| 17. | 620204534 | 620204534 | 620204534 | Service Valve Core |
| 18. | 620060174 | 620060174 | 620060174 | Service Valve Stem |

| CNM0330A*0A4 | CNM0530A*0A4 | CNM0630A*6A4 | Starting Components (Included in Comp Kit) |
|--------------|--------------|--------------|--|
| 620060206 | 620060202 | 620060204 | Compressor Kit |
| 620204989 | 620204989 | 620204995 | Start Capacitor |
| 620204990 | 620204990 | 620204996 | Run Capacitor |
| 620060200 | 620204679 | 620204994 | Compressor Relay |
| 620060193 | 620204993 | Internal | Overload |



NOTE: * = Ice Cube Size Refer page 1 for more details.

| 220-240/50/1 Machine Voltage | | | | |
|------------------------------|--------------|--------------|--------------|---------------------------------------|
| Item No. | Model Number | | | Description |
| | CNM0330A*5A4 | CNM0530A*5A4 | CNM0630A*5A4 | |
| 1. | 620060208 | 620060209 | 620060205 | Compressor Kit |
| 2. | 620060186 | 620060184 | 620060184 | Hot Gas Valve Body |
| 3. | 620060188 | 620060188 | 620060188 | Hot Gas Valve Coil |
| 4. | 620060153 | 620060153 | 620060153 | Switch, Fan Cycle |
| 5. | 620204920 | 620204628 | 620204628 | TXV |
| 6. | 620060152 | 620060152 | 620060152 | High Temp Switch |
| 7. | 620060156 | 620060156 | 620060156 | Switch, High Pressure |
| 8. | 620204951 | 620204951 | 620204951 | Drier (Included in Compressor Kit) |
| 9. | 620060177 | 620060177 | Not Used | Restrictor |
| 10. | 620060179 | 620060179 | 620060179 | Insulation, TXV |
| 11. | 620060178 | 620060178 | 620060178 | Insulation, Bulb |
| 12. | 620060149 | 620060149 | 620060149 | Cable Tie-For TXV and Bulb Insulation |
| 13. | 620060190 | 620060190 | 620060190 | Fan Motor Assembly |
| 14. | 620060139 | 620060139 | 620060139 | Fan Shroud |
| 15. | 620060180 | 620060180 | 620060180 | Condenser |
| 16. | 620204535 | 620204535 | 620204535 | Service Valve Cap |
| 17. | 620204534 | 620204534 | 620204534 | Service Valve Core |
| 18. | 620060174 | 620060174 | 620060174 | Service Valve Stem |

| CNM0330A*5A4 | CNM0530A*5A4 | CNM0630A*5A4 | Starting Components (Included in Comp Kit) |
|--------------|--------------|--------------|--|
| 620060208 | 620060209 | 620060205 | Compressor Kit |
| 620204998 | 620204654 | 620204998 | Start Capacitor |
| 620060197 | 620060198 | 620204673 | Run Capacitor |
| 620204994 | 620060201 | 620204997 | Compressor Relay |
| 620060194 | 620060195 | Internal | Overload |

WATER COOLED PART LIST

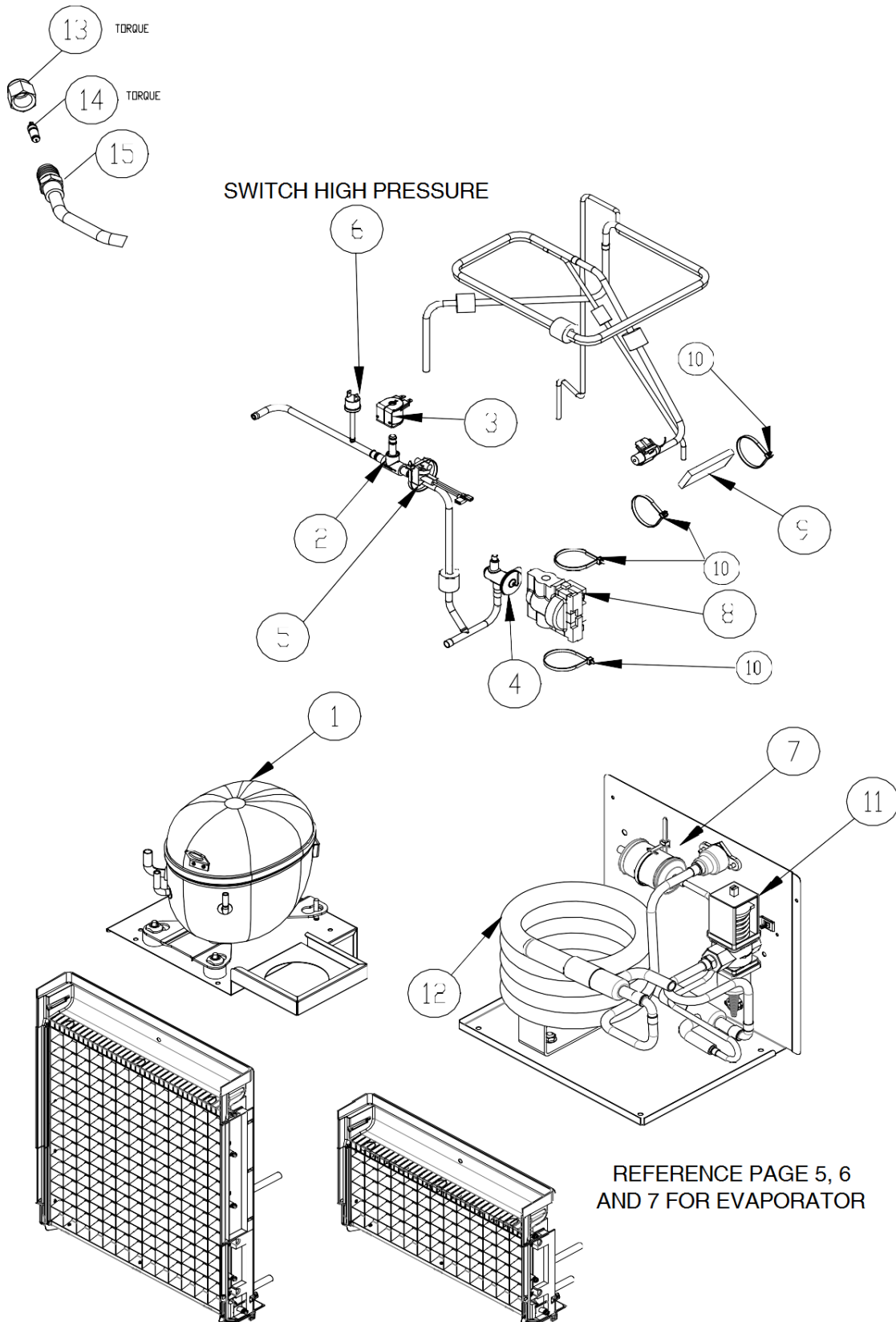


Figure 4.

NOTE: * = Ice Cube Size Refer page 1 for more details.

| Item No. | Model Number | | | Description |
|----------|--------------|--------------|--------------|---------------------------------------|
| | CNM0330W*0A4 | CNM0530W*0A4 | CNM0630W*6A4 | |
| | 115/60/1 | 115/60/1 | 208-230/60/1 | Machine Voltage |
| 1. | 620060206 | 620060202 | 620060204 | Compressor Kit |
| 2. | 620060186 | 620060186 | 620060186 | Hot Gas Valve Body |
| 3. | 620060187 | 620060187 | 620060188 | Hot Gas Valve Coil |
| 4. | 620204920 | 620204628 | 620204628 | TXV |
| 5. | 620060152 | 620060152 | 620060152 | High Temp Switch |
| 6. | 620060156 | 620060156 | 620060156 | Switch, High Pressure |
| 7. | 620204951 | 620204951 | 620204951 | Drier (Included in Compressor Kit) |
| 8. | 620060179 | 620060179 | 620060179 | Insulation, TXV |
| 9. | 620060178 | 620060178 | 620060178 | Insulation, Bulb |
| 10. | 620060149 | 620060149 | 620060149 | Cable Tie-For TXV and Bulb Insulation |
| 11. | 620060157 | 620060157 | 620060157 | Water Regulator |
| 12. | 620060181 | 620060181 | 620060181 | Condenser |
| 13. | 620204535 | 620204535 | 620204535 | Service Valve Cap |
| 14. | 620204534 | 620204534 | 620204534 | Service Valve Core |
| 15. | 620060174 | 620060174 | 620060174 | Service Valve Stem |

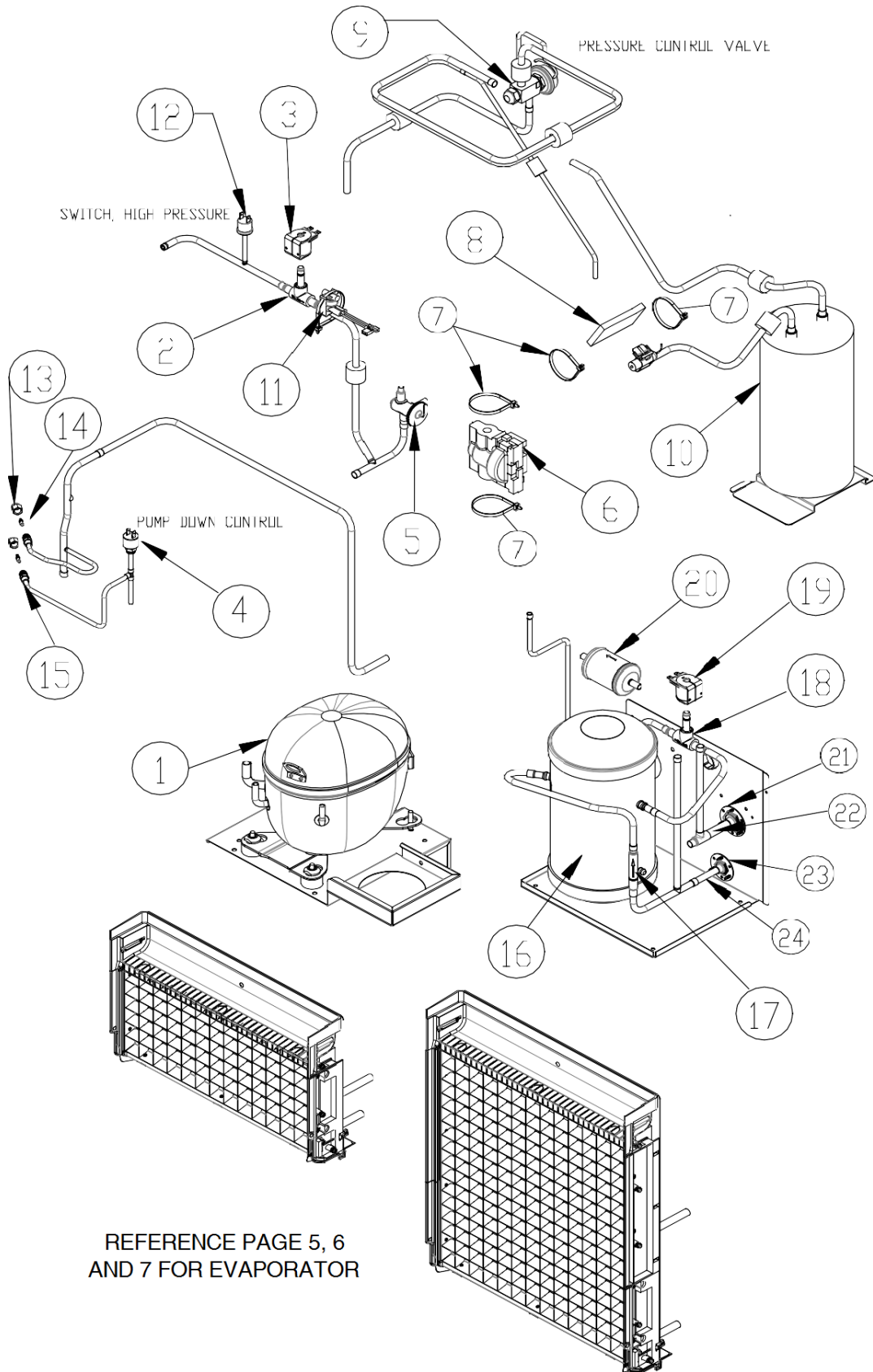
| CNM0330A*0A4 | CNM0530A*0A4 | CNM0630A*6A4 | Starting Components (Included in Comp Kit) |
|--------------|--------------|--------------|--|
| 620060206 | 620060202 | 620060204 | Compressor Kit |
| 620204989 | 620204989 | 620204995 | Start Capacitor |
| 620204990 | 620204990 | 620204996 | Run Capacitor |
| 620060200 | 620204679 | 620204994 | Compressor Relay |
| 620060193 | 620204993 | Internal | Overload |

NOTE: * = Ice Cube Size Refer page 1 for more details.

| 220-240/50/1 Machine Voltage | | | |
|------------------------------|--------------|--------------|---------------------------------------|
| Item No. | Model Number | | Description |
| | | CNM0630W*5A4 | |
| 1. | | 620060205 | Compressor Kit |
| 2. | | 620060186 | Hot Gas Valve Body |
| 3. | | 620060188 | Hot Gas Valve Coil |
| 4. | | 620204628 | TXV |
| 5. | | 620060152 | High Temp Switch |
| 6. | | 620060156 | Switch, High Pressure |
| 7. | | 620204951 | Drier (Included in Compressor Kit) |
| 8. | | 620060179 | Insulation, TXV |
| 9. | | 620060178 | Insulation, Bulb |
| 10. | | 620060149 | Cable Tie-For TXV and Bulb Insulation |
| 11. | | 620060157 | Water Regulator |
| 12. | | 620060181 | Condenser |
| 13. | | 620204535 | Service Valve Cap |
| 14. | | 620204534 | Service Valve Core |
| 15. | | 620060174 | Service Valve Stem |

| CNM0530A*5A4 | CNM0630A*5A4 | Starting Components (Included in Comp Kit) |
|--------------|--------------|--|
| 620060209 | 620060205 | Compressor Kit |
| 620204654 | 620204998 | Start Capacitor |
| 620060198 | 620204673 | Run Capacitor |
| 620060201 | 620204997 | Compressor Relay |
| 620060195 | Internal | Overload |

REMOTE PART LIST



REFERENCE PAGE 5, 6
AND 7 FOR EVAPORATOR

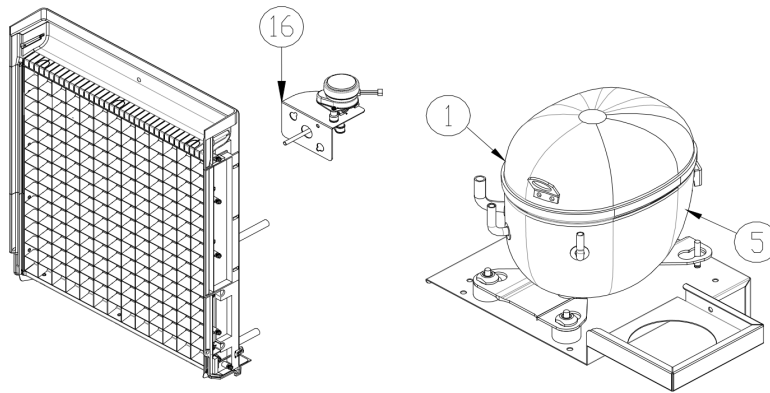
Figure 5.

NOTE: * = Ice Cube Size Refer page 1 for more details.

| Item No. | Model | Description |
|----------|--------------|---------------------------------------|
| | CNM0630R*6A4 | |
| | 208-230/60/1 | Machine Voltage |
| 1. | 620060204 | Compressor Kit |
| 2. | 620060184 | Hot Gas Valve Body |
| 3. | 620060188 | Hot Gas Valve Coil |
| 4. | 620204475 | Pump Down Control |
| 5. | 620204628 | TXV |
| 6. | 620060179 | Insulation, TXV |
| 7. | 620060149 | Cable Tie-For TXV and Bulb Insulation |
| 8. | 620060178 | Insulation TXV Bulb |
| 9. | Not Used | Pressure Control Valve |
| 10. | Not Used | Accumulator |
| 11. | 620060152 | High Temp Switch |
| 12. | 620060156 | Switch, High Pressure |
| 13. | 620204535 | Service Valve Cap |
| 14. | 620204534 | Service Valve Core |
| 15. | 620060174 | Service Valve Stem |
| 16. | 620204607 | Receiver |
| 17. | 620060183 | Check Valve |
| 18. | 620060185 | Liquid Line Solenoid |
| 19. | 620060188 | Liquid Line Coil |
| 20. | 620204953 | Drier (Included in Compressor Kit) |
| 21. | 620060173 | 1/2 Inch Coupling Flange (Large) |
| 22. | 620204527 | 1/2 Inch Coupling (Large) |
| 23. | 620060172 | 3/8 Inch Coupling Flange (Small) |
| 24. | 620204526 | 3/8 Inch Coupling (Small) |

| | |
|---------------------|--|
| CNM0630R*6A4 | Starting Components (Included in Comp Kit) |
| 620060204 | Compressor Kit |
| 620204995 | Start Capacitor |
| 620204996 | Run Capacitor |
| 620204994 | Potential Relay |
| Internal | Overload |

ELECTRICAL PART LIST



REFERENCE PAGE 5,6 AND 7 FOR EVAPORATOR

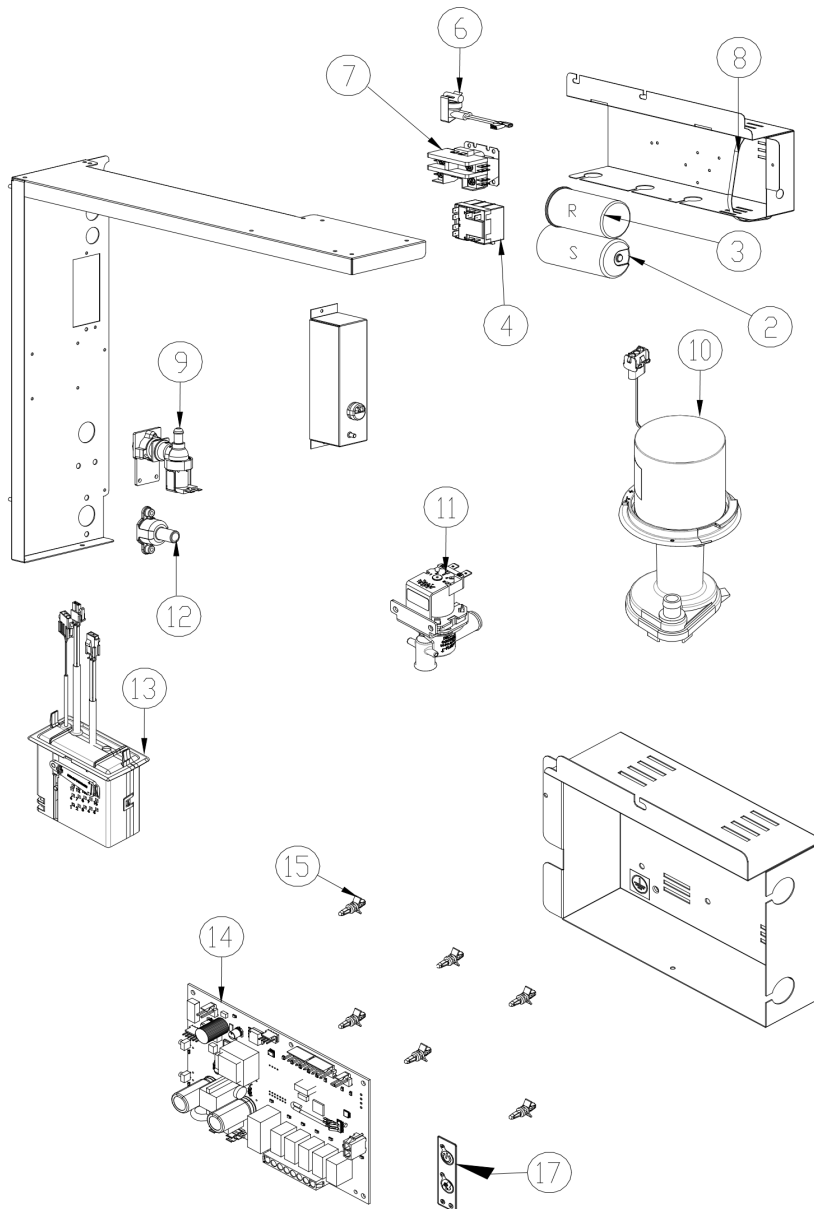


Figure 6.



NOTE: * = Ice Cube Size Refer page 1 for more details.

| Item No. | Model Number | | | Description |
|----------|--------------|--------------|--------------|---|
| | CNM0330A*0A4 | CNM0530A*0A4 | CNM0630A*6A4 | |
| | 115/60/1 | 115/60/1 | 208-230/60/1 | Machine Voltage |
| 1. | 620060206 | 620060202 | 620060204 | Compressor |
| 2. | 620204989 | 620204989 | 620204995 | Start Capacitor |
| 3. | 620204990 | 620204990 | 620204996 | Run Capacitor |
| 4. | 620060200 | 620204679 | 620204994 | Potential Relay |
| 5. | 620060193 | 620204993 | Internal | Overload |
| 6. | 620060152 | 620060152 | 620060152 | Switch, High Temp |
| 7. | 620204546 | 620204546 | 620204545 | Contactora |
| 8. | 620060196 | 620060196 | 620060196 | Cable Tie, Metal |
| 9. | 620060154 | 620060154 | 620060155 | Valve, Water Inlet |
| 10. | 620060132 | 620060132 | 620060133 | Water Pump |
| 11. | 620060002 | 620060002 | 620060003 | Purge Valve |
| 12. | 620060175 | 620060175 | 620060175 | Purge Drain |
| 13. | 620060120 | 620060120 | 620060120 | Float Switch Assembly (Includes Instructions) |
| 14. | 620060210 | 620060210 | 620060210 | BoardDual Voltage |
| 15. | 620060213 | 620060213 | 620060213 | Plastic Standoff, Control Board (Pkg of 10) |
| 16. | 620060211 | 620060211 | 620060212 | Harvest Assist |
| 17. | 620060214 | 620060214 | 620060214 | Membrane Switch (ON-OFF) (Includes Cable) |



| 220-240/50/1 Machine Voltage | | | | |
|------------------------------|--------------|--------------|--------------|--|
| Item No. | Model Number | | | Description |
| | CNM0330A*5A4 | CNM0530A*5A4 | CNM0630A*5A4 | |
| 1. | 620060208 | 620060209 | 620060205 | Compressor Kit |
| 2. | 620204998 | 620204654 | 620204998 | Start Capacitor |
| 3. | 620060197 | 620060198 | 620204673 | Run Capacitor |
| 4. | 620204994 | 620060201 | 620204997 | Compressor Relay |
| 5. | 620060194 | 620060195 | Internal | Overload |
| 6. | 620060152 | 620060152 | 620060152 | Switch, High Temp |
| 7. | 620204545 | 620204545 | 620204545 | Contactactor |
| 8. | 620060196 | 620060196 | 620060196 | Cable Tie, Metal |
| 9. | 620060155 | 620060155 | 620060155 | Valve, Water Inlet |
| 10. | 620060133 | 620060133 | 620060133 | Water Pump |
| 11. | 620060003 | 620060003 | 620060003 | Purge Valve |
| 12. | 620060175 | 620060175 | 620060175 | Purge Drain |
| 13. | 620060120 | 620060120 | 620060120 | Float Switch Assembly (Includes Instructions) |
| 14. | 620060210 | 620060210 | 620060210 | BoardDual Voltage |
| 15. | 620060213 | 620060213 | 620060213 | Plastic Standoff, Control Board (Pkg of 10) |
| 16. | 620060212 | 620060212 | 620060212 | Harvest Assist |
| 17. | 620060214 | 620060214 | 620060214 | Membrane Switch (ON- OFF) (Includes Cable) |

