

---

**NORDIC ICEMAKER**  
**FOR MODEL: CNM1448\*\*6A4**  
**ILLUSTRATED PARTS LIST**



**Release Date: December 13, 2019**

**Publication Number: 548000133**

**Revision Date: December 13, 2019**

**Revision: A**

Visit the Cornelius web site at [www.cornelius.com](http://www.cornelius.com) for all your Literature needs.

---

## Notice

The products, technical information, and instructions contained in this manual are subject to change without notice. These instructions are not intended to cover all details or variations of the equipment, nor to provide for every possible contingency in the installation, operation or maintenance of this equipment. This manual assumes that the person(s) working on the equipment have been trained and are skilled in working with electrical, plumbing, pneumatic, and mechanical equipment. It is assumed that appropriate safety precautions are taken and that all local safety and construction requirements are being met, in addition to the information contained in this manual.

This Product is warranted only as provided in Cornelius' Commercial Warranty applicable to this Product and is subject to all of the restrictions and limitations contained in the Commercial Warranty.

Cornelius will not be responsible for any repair, replacement or other service required by or loss or damage resulting from any of the following occurrences, including but not limited to, (1) other than normal and proper use and normal service conditions with respect to the Product, (2) improper voltage, (3) inadequate wiring, (4) abuse, (5) accident, (6) alteration, (7) misuse, (8) neglect, (9) unauthorized repair or the failure to utilize suitably qualified and trained persons to perform service and/or repair of the Product, (10) improper cleaning, (11) failure to follow installation, operating, cleaning or maintenance instructions, (12) use of "non-authorized" parts (i.e., parts that are not 100% compatible with the Product) which use voids the entire warranty, (13) Product parts in contact with water or the product dispensed which are adversely impacted by changes in liquid scale or chemical composition.

## Correct Disposal of this Product



**RECYCLE**

This marking indicates that this product should not be disposed with other household wastes throughout the EU. To prevent possible harm to the environment or human health from uncontrolled waste disposal, recycle it responsibly to promote the sustainable reuse of material resources. To return your used device, please use the return and collection systems or contact the retailer where the product was purchased. They can take this product for environmental safe recycling.

## Trademarks and Copyrights

This document contains proprietary information and it may not be reproduced in any way without permission from Cornelius. This document contains the original instructions for the unit described.

CORNELIUS INC  
101 Regency Drive  
Glendale Heights, IL  
Tel: + 1 800-238-3600

Printed in U.S.

## Contact Information

To inquire about current revisions of any documentation or assistance with any Cornelius product, contact:

**[www.cornelius.com](http://www.cornelius.com)**  
**800-238-3600**



# TABLE OF CONTENTS

Nomenclature .....3  
    Model Number Example: ..... 3  
Cabinet Parts List .....4  
Water System Parts List .....6  
Air Cooled Parts List .....8  
Water Cooled Parts List .....10  
Electrical Parts List .....12



# NOMENCLATURE

This parts list contains the service parts available for the following CNM Series.

CNM1448***A4	208-230/60/1
--------------	--------------

**Model Number Example:**

**CNM1448AH6A4**

**CNM** = **C**uber **N**ordic **M**odular

**14** = 1400 lb, in 24 hours capacity

**48** = 48 inch wide cabinet

**0** = 115 Volt, **5** = 220-240 V / 50 Hz / 1 Phase **6** = 208-230 Volt / 60 Hz / 1 Phase **7** = 3 Phase

**H** = Half Cube Size, **F** = Full Cube Size **G** = Grande Cube Size

**A** = Air Cooled Condenser, **W** = Water Cooled Condenser, **R** = Remote Cooled Condenser

**4** = New Revision

Check the model number on the data plate and refer to the correct listing for the specific component.

Check carefully that the correct part is identified and ordered.

# CABINET PARTS LIST

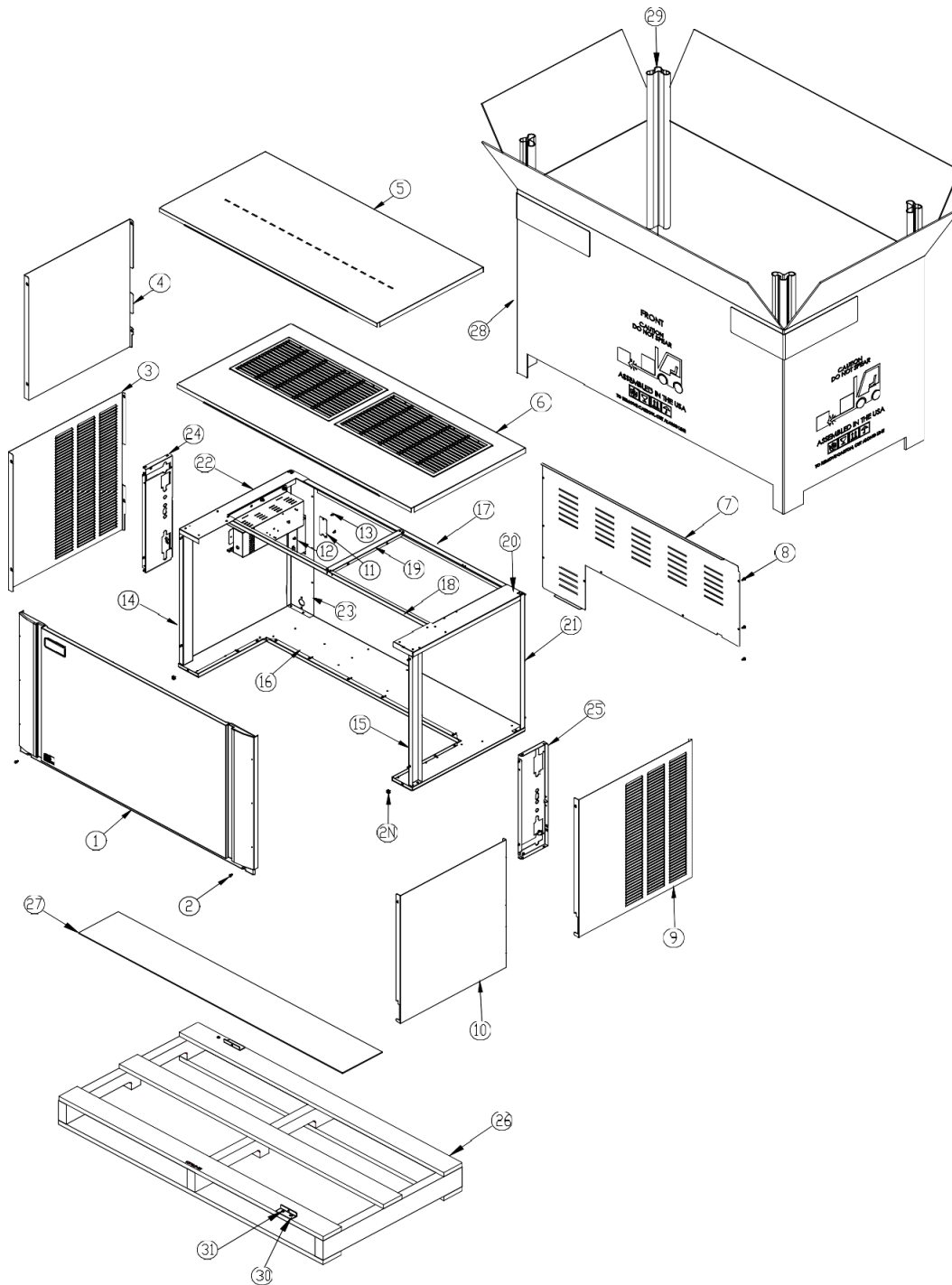


Figure 1.

208-230/60/1 Machine Voltage		
Item No.	Model Number	Description
	<b>CNM1448***A4</b>	
1	620060286	Front Panel
2	620060287	Front Panel Screws
2N	620060288	Plastic Nut
3	620060288	Left Side Panel-Air Cooled
4	620060227	Left Side Panel-Water Cooled
5	620060290	Top Panel-Water Cooled
6	620060291	Top Panel-Air Cooled
7	620060292	Rear Cover, Remote
8	620204441	Rear Cover Screws
9	620060229	Right Side Panel-Air Cooled
10	620060228	Right Side Panel-Water Cooled
11	620060140	Junction Box Cover
12	620060219	Junction Box
13	620204441	Junction Box Screw
14	620060230	Left Front Corner post
15	620060231	Right Front Corner post
16	620060293	Base
17	620060294	Rear Brace 48
18	620060295	Front Brace
19	620060296	Cross Brace
20	620060297	Top Right Frame Work
21	620060298	Right Rear Corner
22	620060299	Top Left Frame 48 inch
23	620060300	Left Side Framework Assembly 48 inch
24	620060232	Front Left Brace Assembly
25	620060233	Front Right Brace Assembly
26	620060301	Elevation Skid
27	620060302	Carton Liner, Elevation 48 inch
28	620060303	Carton, Elevation 48 inch
29	620060235	Corner Post, (4 Required)
30	620060170	Shipping Bracket 2 Req. (Field Installed)
31	620060304	Screw

# WATER SYSTEM PARTS LIST

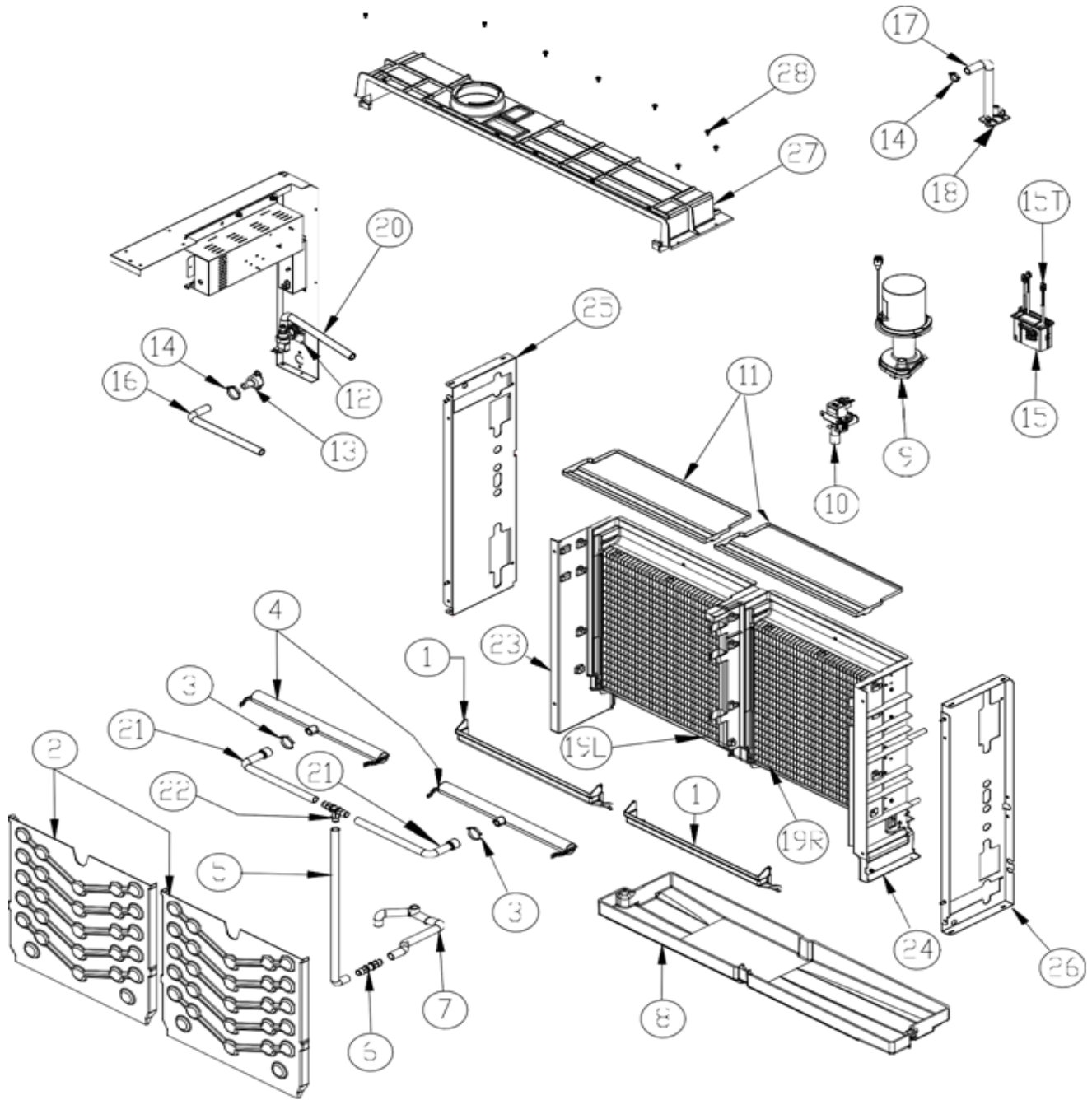


Figure 2.

The Model Number of the machine has a designator for the Cube Size:

<b>Example:</b>	CNM1448FA	F = Full Cube	Cube Size = 7/8 x 7/8 x 7/8
	CNM1448HA	H = Half Cube	Cube Size = 3/8 x 7/8 x 7/8

**NOTE: The Left Hand Evaporator and Right Hand Evaporator Have The Same Part Number.**



208-230/60/1 Machine Voltage		
Item No.	Model Number	Description
	<b>CNM1448***A4</b>	
1	620060163	Lower Curtain Assembly
2	620060238	Evaporator Cover
3	620060272	Hose Clamp, Plastic
4	620060171	Water Distribution Tube Assembly
5	620060273	Water Tube, Lower, Dual
6	620060274	Coupler, Straight, 5/8 I.D. Tubing
7	620060167	Water Tube, Sump
8	620060275	Sump/Dual Evap
9	620060276	Water Pump
10	620060003	Purge Valve
11	620060165	Top Cover
12	620060278	Water Inlet Valve
13	620060175	Purge Drain Fitting
14	620204420	Hose Clamp, Plastic
15	620060120	Float Switch Assembly (Includes Instructions)
15T	620060278	Float Switch Thermister
16	620060279	Drain Tube
17	620060159	Purge Tube
18	620060166	Inlet Outlet Bracket
19	620060242	<b>Evaporator-FULL Cube = 7/8 x 7/8 x 7/8*</b>
19	620060243	<b>Evaporator-HALF Cube = 3/8 x 7/8 x 7/8**</b>
20	620060280	Tubing, Water Inlet
21	620060281	Water Tube, Upper Dual
22	620060282	Coupler, Tee, 5/8 I.D. Tubing
23	620060283	Evaporator Support Left Side
24	620060284	Evaporator Support Right Side
25	620060232	Front Left Brace Assembly
26	620060233	Front Right Brace Assembly
27	620060285	Base, 48 inch Cuber
28	620204441	Screw, 10-16 x 1/2



208-230/60/1 Machine Voltage		
Item No.	Model Number	Description
1	620060305	<b>Compressor Kit</b>
2R	620060152	High Temp Switch-Right Side of the machine
2L	620060306	High Temp Switch-Left Side of the machine
3	620060188	Hot Gas Valve Coil (240 V)
3A	620060185	Hot Gas Valve Body
4	620060245	TXV
5	620060179	Insulation, TXV
5A	620060149	Cable Tie-For TXV and Bulb Insulation
6	620060153	Switch, Fan Cycle
7	620204535	Service Valve Cap
7A	620204534	Service Valve Core
7B	620060174	Service Valve Stem
8	620060156	Switch, High Pressure
9	620060308	Fan Motor Assembly (Both Motors the Same)
10	620204952	Drier ( <b>Included in Compressor Kit</b> )
11	620060309	Fan Shroud
12	620060310	Condenser

CNM1448	Starting Components (Included in Comp Kit)
620060305	Compressor Kit
620204652	Start Capacitor
620204990	Run Capacitor
620204676	Compressor Relay
Internal	Overload

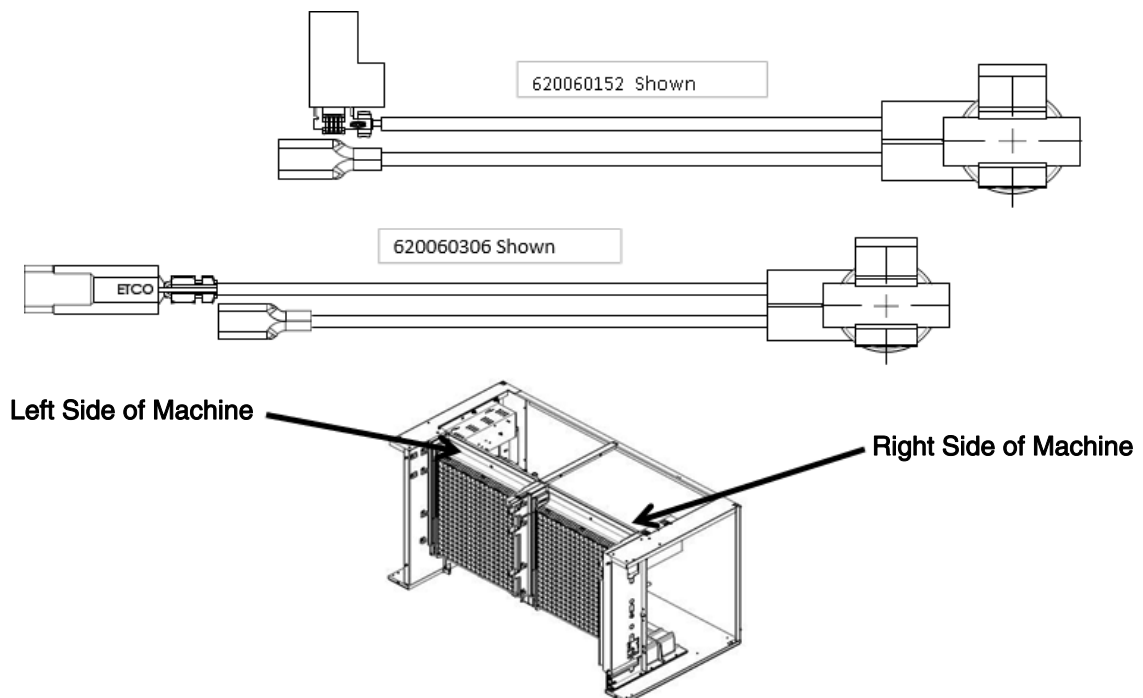


Figure 4.

# WATER COOLED PARTS LIST

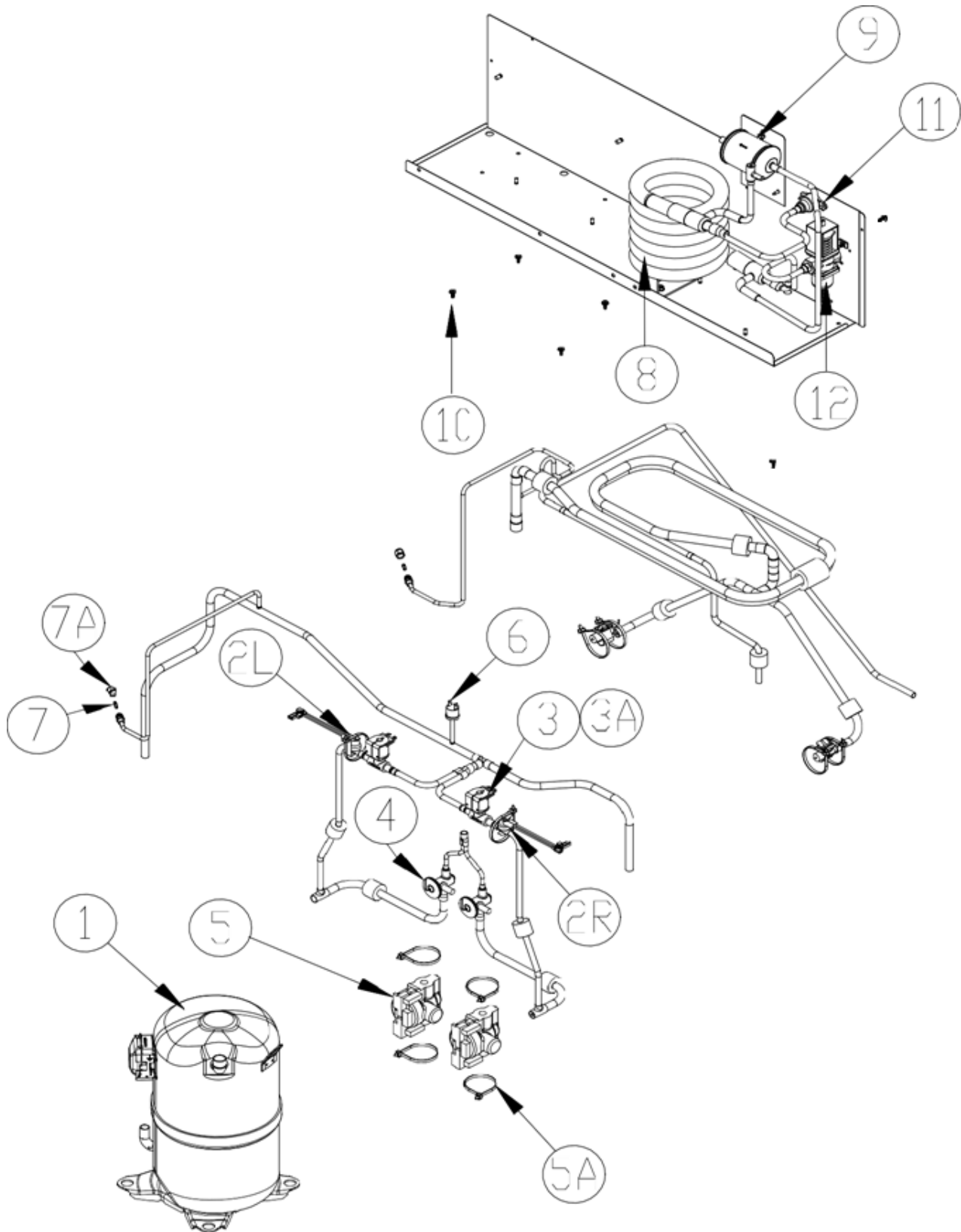


Figure 5.

208-230/60/1 Machine Voltage		
Item No.	Model Number	Description
1	620060305	Compressor Kit
2R	620060152	High Temp Switch-Right Side of the machine
2L	620060306	High Temp Switch-Left Side of the machine
3	620060188	Hot Gas Valve Coil (240 V)
3A	620060185	Hot Gas Valve Body
4	620060245	TXV
5	620060179	Insulation, TXV
5A	620060149	Cable Tie-For TXV Insulation
6	620060156	Switch, High Pressure
7	620204535	Service Valve Cap
7A	620204534	Service Valve Core
7B	620060174	Service Valve Stem
8	620060256	Condenser
9	620204952	Drier (Included in Compressor Kit)
10	620204441	Screw
11	620204529	Condenser Outlet Fitting
12	620204465	Water Regulator

CNM1448	Starting Components (Included in Comp Kit)
620060305	Compressor Kit
620204652	Start Capacitor
620204990	Run Capacitor
620204676	Compressor Relay
Internal	Overload

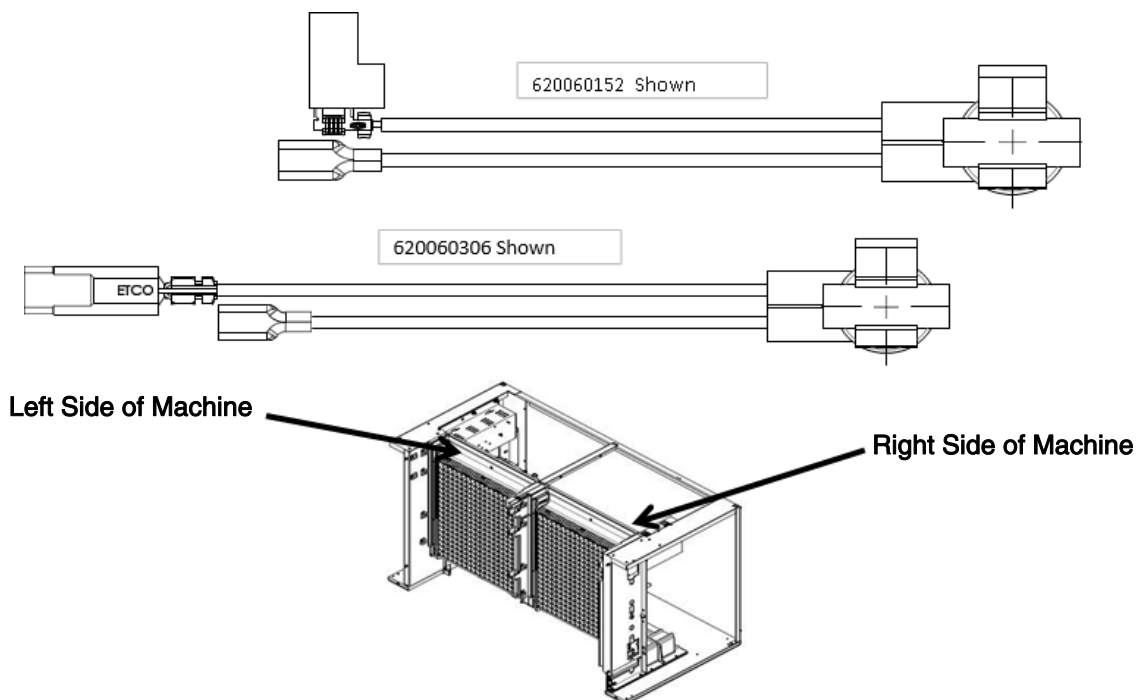


Figure 6.

# ELECTRICAL PARTS LIST

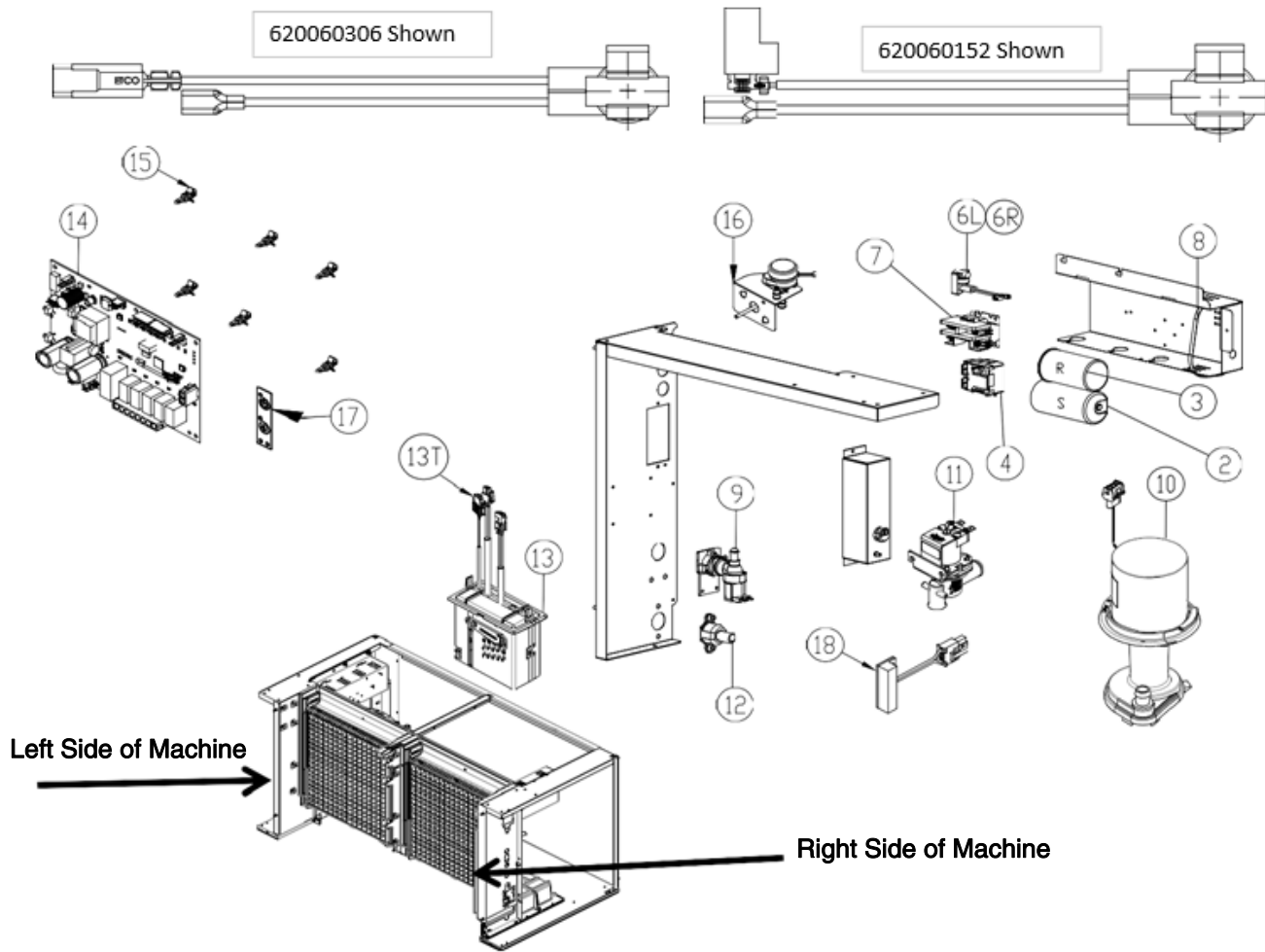


Figure 7.

208-230/60/1 Machine Voltage		
Item No.	Model Number	Description
	CNM1448***A4	
1		Compressor
2		Start Capacitor
3		Run Capacitor
4		Relay
5		Overload
6R	620060152	High Temp Switch-Right side of the machine
6L	620060306	High Temp Switch-Left side of the machine
7	620204545	Contactora
8	620060196	Cable Tie, Metal
9	620060155	Valve, Water Inlet
10	620060276	Water Pump
11	620060003	Purge Valve
12	620060175	Purge Drain
13	620060120	Float Switch Assembly (Includes Instructions)
13T	620060278	Float Thermister
14	620060210	BoardDual Voltage
15	620060213	Plastic Standoff, Control Board (Pkg of 10)
16	620060212	Harvest Assist
17	620060214	Membrane Switch
18	620060313	Switch, Magnetic Reed (Bin Control On Evap)







