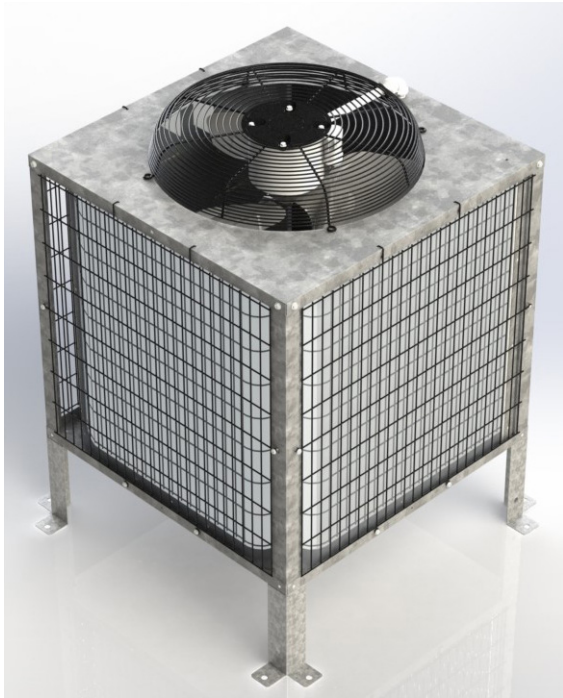




NORDIC ELITE REMOTE CONDENSERS (RCN SERIES)

FOR MODULAR CUBED ICE MACHINES



*remote condenser shown with optional guard

FEATURES



Easy assembly and installation

- Lightweight construction
- Aluminum coil
- Small footprint - fits through standard 30" x 36" roof hatch



Environmentally responsible

- Efficient motor to reduce energy usage
- Utilizes R404A, non-ozone depleting refrigerant



Sturdy, corrosion-resistant galvanized steel



Removes heat and noise from store to improve customer experience and lower air-conditioning costs

SPECIFICATIONS

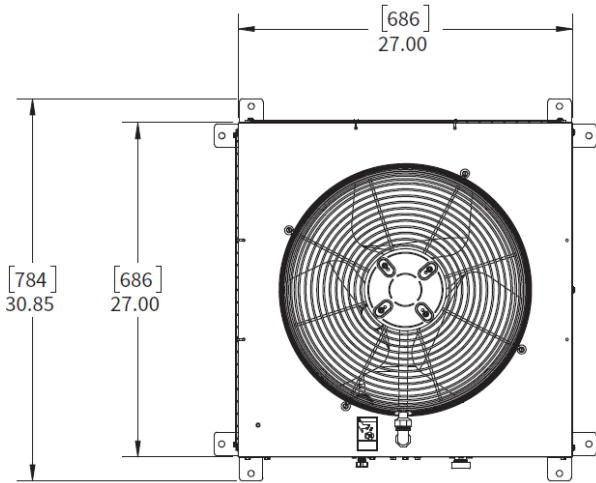
Model Number	Electrical (V / Hz / Ph)	Dimensions (W x D x H)	Shipping Weight	Compatible Ice Makers	
				Nordic	Nordic Elite
RCN1061	208-230/50-60/1	31 x 31 x 37 in 78 x 78 x 94 cm	97 lbs 44 kg	CCM0630R CCM0830R	CNM0630R CNM0830R
RCN2061	208-230/50-60/1	31 x 31 x 42 78 x 78 x 106 cm	111 lbs 50 kg	CCM1030R CCM1448R CCM1530R CCM1848R	CNM1030R CNM1530R
RCN3061	208-230/50-60/1	31 x 31 x 37 78 x 78 x 94 cm	119 lbs 54 kg	CCM2148R	CNM2148R

ACCESSORIES

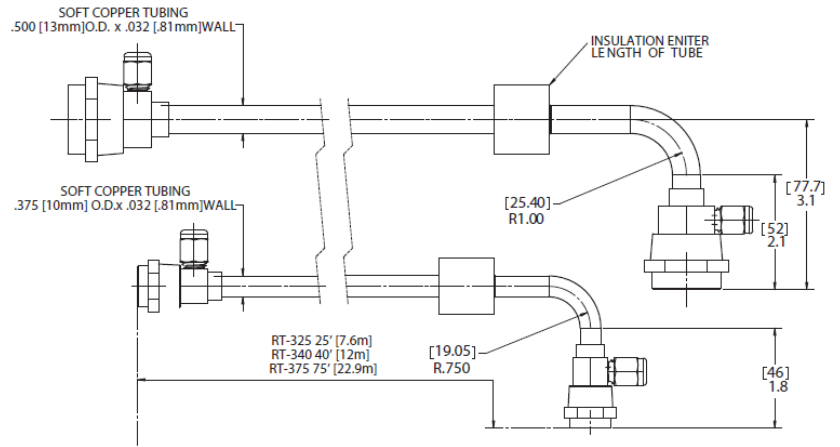
Model Number	Description	Shipping Weight
RT25	25 ft (7.6 m) precharged R404A tubing kit	13 lbs / 6kg
RT40	40 ft (12.0 m) precharged R404A tubing kit	18 lbs / 8 kg
RT75	75 ft (22.9 m) precharged R404A tubing kit	36 lbs / 16 kg
620060081	Grill Kit for RCN1061 - Field Installed	8 lbs / 3.6 kg
620060082	Grill Kit for RCN2061 - Field Installed	12 lbs / 5.4 kg
620060083	Grill Kit for RCN3061 - Field Installed	10 lbs / 4.5 kg

SCHEMATICS

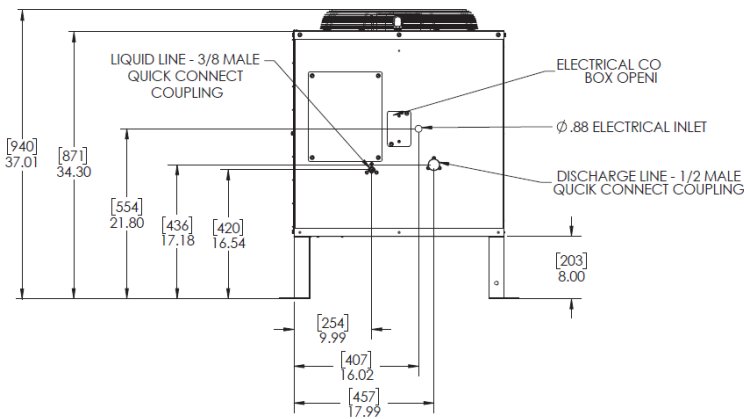
Top View



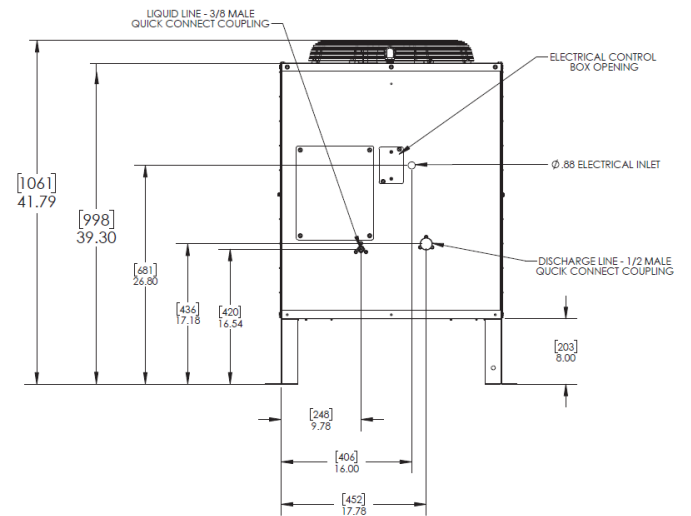
Copper Tubing



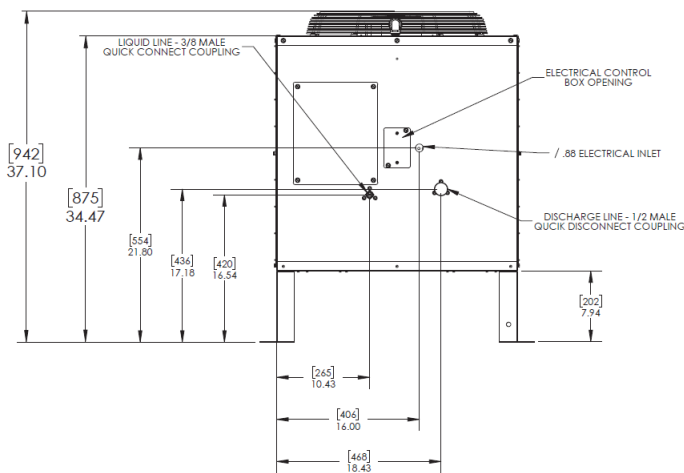
Side View - RCN1061



Side View - RCN2061



Side View - RCN3061



OPERATING REQUIREMENTS

	Min	Max
Ambient Air Temperature	-20°F -29°C	120°F 49°C

ADDITIONAL SPECS

Line set rise	35 ft
Line set drop	15 ft
See installation manual for calculating line set run	
Liquid line diameter	3/8"
Discharge line diameter	1/2"
Number of wires	3 including ground
Refrigerant	R404A
Agency Listing	

WARRANTY

- 3 years - parts & limited labor
- 5 years condenser & evaporator parts
- See website for warranty details

