



VIPER (E) 3 FLAVOR

Illustrated Parts List



Release Date: March 10, 2009

Publication Number: 621360142IPL

Revision Date: December 16, 2019

Revision: AA

Visit the Cornelius web site at www.cornelius.com for all your literature needs.

The products, technical information, and instructions contained in this manual are subject to change without notice. These instructions are not intended to cover all details or variations of the equipment, nor to provide for every possible contingency in the installation, operation or maintenance of this equipment. This manual assumes that the person(s) working on the equipment have been trained and are skilled in working with electrical, plumbing, pneumatic, and mechanical equipment. It is assumed that appropriate safety precautions are taken and that all local safety and construction requirements are being met, in addition to the information contained in this manual.

This Product is warranted only as provided in Cornelius' Commercial Warranty applicable to this Product and is subject to all of the restrictions and limitations contained in the Commercial Warranty.

Cornelius will not be responsible for any repair, replacement or other service required by or loss or damage resulting from any of the following occurrences, including but not limited to, (1) other than normal and proper use and normal service conditions with respect to the Product, (2) improper voltage, (3) inadequate wiring, (4) abuse, (5) accident, (6) alteration, (7) misuse, (8) neglect, (9) unauthorized repair or the failure to utilize suitably qualified and trained persons to perform service and/or repair of the Product, (10) improper cleaning, (11) failure to follow installation, operating, cleaning or maintenance instructions, (12) use of "non-authorized" parts (i.e., parts that are not 100% compatible with the Product) which use voids the entire warranty, (13) Product parts in contact with water or the product dispensed which are adversely impacted by changes in liquid scale or chemical composition.

Contact Information:

To inquire about current revisions of this and other documentation or for assistance with any Cornelius product contact:

**www.cornelius.com
800-238-3600**

Trademarks and Copyrights:

This document contains proprietary information and it may not be reproduced in any way without permission from Cornelius.

This document contains the original instructions for the unit described.

CORNELIUS INC
101 Regency Drive
Glendale Heights, IL
Tel: + 1 800-238-3600

Printed in U.S.A.

TABLE OF CONTENTS

Cladding Assembly	1
Foam Pack/Drive Assembly	3
Faceplate Assembly	4
Motorman Valve Assembly	5
Product Delivery System.	6
Refrigeration System	7
E-Box Assembly	8
Merchandiser Assembly Classic model (Tall Version shown)	10



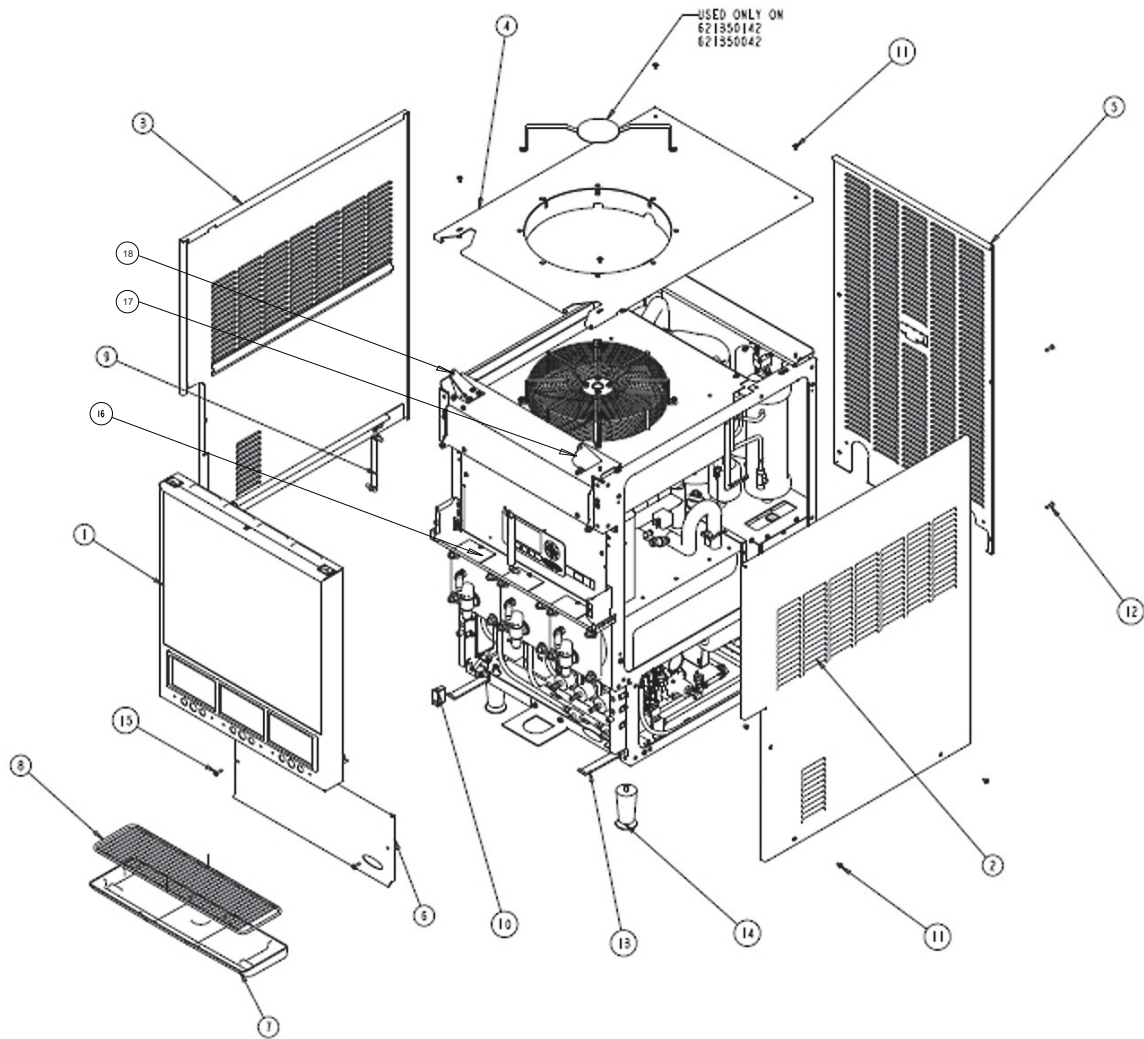


Figure 1. Cladding Assembly

Table 1. Cladding Assembly

Item	Part No.	Description
1	620521771	Merchandiser Assy - Tall (See Figure 8.)
	620047146	Merchandiser Assy - Short (See Figure 8.)
2	620054961	Side Panel Right
	620064908	Panel Side Right Hemmed 2FL & 3FL VPR Red
3	620054960	Side Panel Left
	620064909	Panel Side left Hemmed 2FL & 3FL VPR Red
4	620048343	Top Panel 3FL -SS
	620049768	Top Panel 3FL - SS (For Short Merchandiser)
	620064918S	Panel Top Cover Assy 3FL VPR Red
	620066532S	Panel Top Cover Assy 3FL VPR SH Red
5	620053955	Rear Panel 3FL - SS
	620064920S	Panel Rear Assy 3FL VPR Red

Table 1. Cladding Assembly

Item	Part No.	Description
6	620045346	Panel Splash Back 3FL Viper ICEE
	629096951	Kit-Splash Panel 3FL
	629096963	Kit-Splash Panel 3 FL - Extended
	620064917	Panel Splash Back 3FL VPR Red
7	620043016	Drip Tray -3FL
8	620043018	Cup Rest -3FL
9	620054953	Strut Gas Lift 3FL Viper
10	560001783	Latch Door 2 Piece PLSTC
11	620045298	Screw 10-323 X 3/8" Type F Trph Stzi
12	620045297	Screw 10-32 X 3/4" Type F TRPH STZ1
13	620054014	Brkt Mtg Tray Drip 2fl Vpr
14	70970	Leg 04.00" Adj 3/8-16 Black Pastc W/ nkl Plated Foot
15	620058284	Screw 10-24x1 PAPH Self Tap Type F SS
16	620042842	Diffuser Downlight Merchndsr 2fl Viper



Table 1. Cladding Assembly

Item	Part No.	Description
17	620053881	Brkt Hinge Mtg Right Viper
18	620053880	Brkt Hinge Mtg Left Viper
*	629096928	Kit-Install 3B

Table 1. Cladding Assembly

Item	Part No.	Description
*	620047537	Cord Power 230/50 32a Australia Vpr
*	620043063	Cord Service 230v 30a

* Indicates Not Shown.

NOTE: When switching merchandiser types (item #1), correct top panel must also be used. Order #4, if necessary.

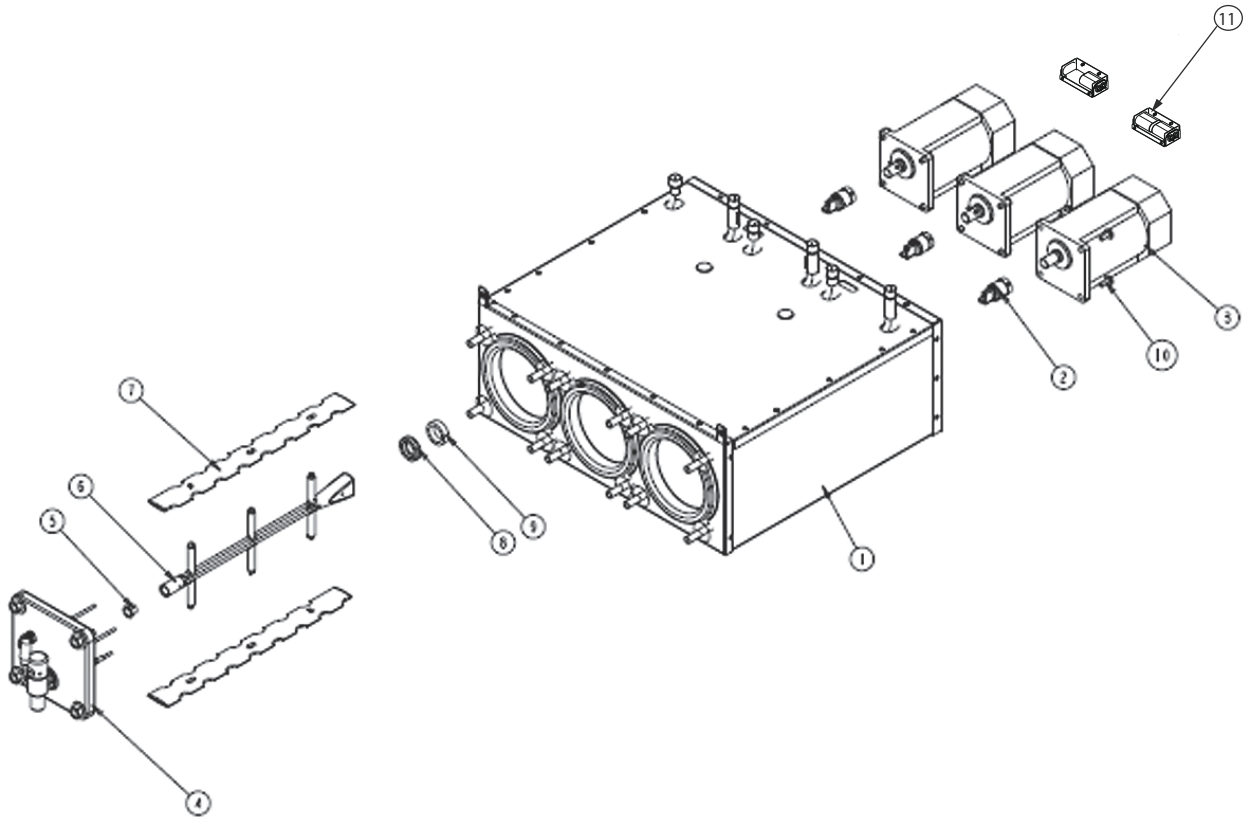


Figure 2. Foam Pack/Drive Assembly

Table 2. Foam Pack/Drive Assembly

Item	Part No.	Description
1	629096940	Kit-Serv Foam Pack Viper 3 Barrel
2	629096854	Kit-Adapter Drive Shaft w/Set Screw & Dowel
3	620314938	Motor- Gear Viper 220V 50/60Hz 4 Capac 180 Rpm
	620314941	Motor- Gear Viper 50Hz
4	560004631	Door Frz Cyl Assy. Kit SPH (See Fig. Figure 3.)
	620057726	Door Frz Cyl Assy Kit Sph Ada
	620045519	Door Frz Cyl Assy. Kit Motorman (See Fig Figure 3.)
5	2392	Bushing Split Flange .5011D NYL
6	620715735	Body Beater Viper
7	620049806	Blade Scraper Freeze Cyl Viper

Table 2. Foam Pack/Drive Assembly

Item	Part No.	Description
8	620067617	Seal Rotary Rubber Blue Viper
	620047179	Seal Rotary Rubber Grey Viper
	620045383	Seal Viper Barrel (Pack of 10)
	620043064	Seal Rotary Rubber Viper (Single)
9	620043162	Spacer Plastic for Utex Seal Viper
10	560003345	Bolt Mach 1/4-20 X 5/8" Slotted Hex STZ1
11	620057821	Capacitor Motor Run Viper 50hz
	620057820	Capacitor Motor Run Viper 60hz
	629097285	Kit Motor Run Capac. Vpr 3fl 50 Hz
	629097286	Kit Motor Run Capac. Vpr 3fl 60hz
*	620052296	Plate Motor Mounting

* Indicates Not Shown.

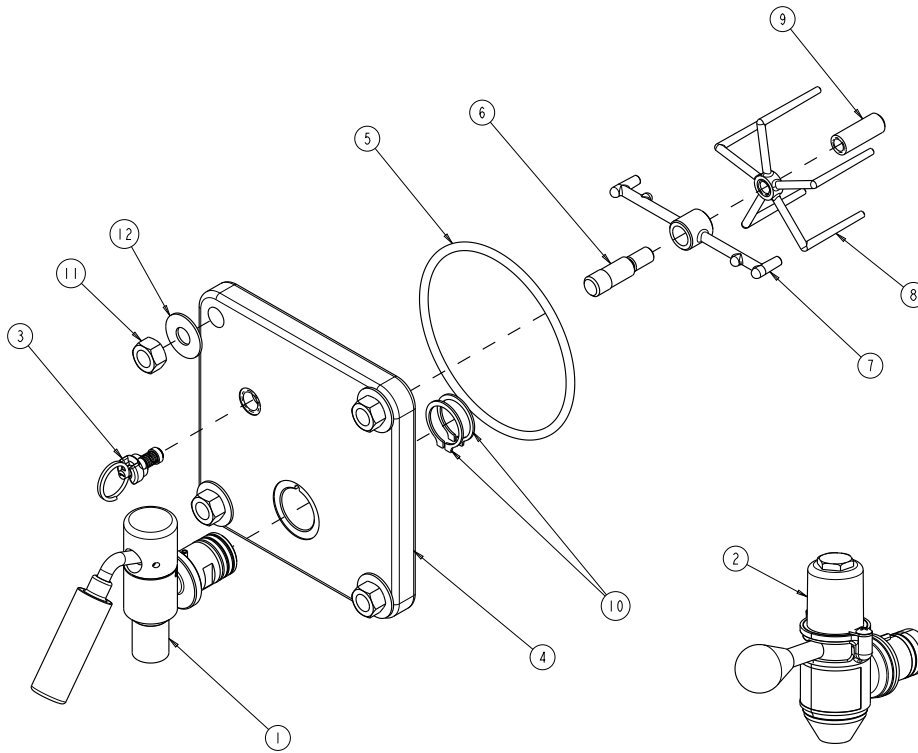


Figure 3. Faceplate Assembly

Table 3. Faceplate Assembly

Item	Part No.	Description
1	629097266	Kit Sph-valve Replacement-ada
	629096997	Kit Sph-valve Replacement
2	620045520	Valve Disp Assy Motorman (See Figure Figure 4.)
3	325954000	Stem Assy R-Val FCB
4	325918000	Door Frz Cyl 2FCB VA
5	320678000	O-Ring 4.60ID 210CS 70DU EY-P
6	2361	Shaft Pivot Faceplate FCB V3+
7	321269001	Spinner Frz Cyl

Table 3. Faceplate Assembly

Item	Part No.	Description
8	322441000	Sensor Visc Mld
9	2358	Pin Beater Bar FCB V3+
10	620047188	Retaining Ring
11	320553001	Nut Hex 7/16-14 Brch
12	320916000	Washer Ft 450 1.1 062 Ss
*	321653000	O-Ring 862ID 103CS 70DU EY-P
*	620047347	Kit Sph-valve Repair

* Indicates Not Shown.

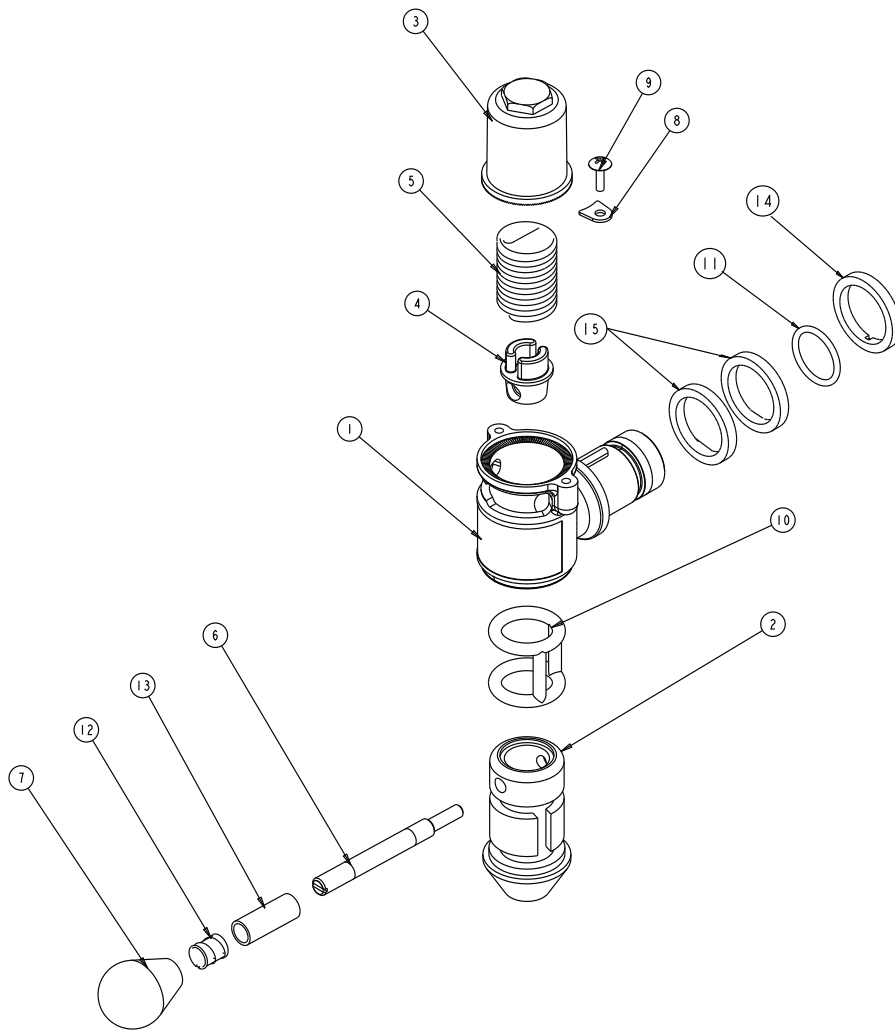


Figure 4. Motorman Valve Assembly

Table 4. Motorman Valve Assembly

Item	Part No.	Description
1	620046168	Body Valve FCB w/Stop
2	1554	Body Valve Ribbed
3	1576	Housing Spring FCB Valve
4	1575	Retainer Spring Valve
5	325305000	Spring Torsion HC FCB
6	321651000	Lever Valve
7	1555	Knob White
8	325647000	Plate Val FCB
9	317784000	Screw, TC 08-18 TRPH 16 SSPA 25

Table 4. Motorman Valve Assembly

Item	Part No.	Description
10	2818	O-Ring Caged FCB Val
11	321653000	O-Ring 862ID 103CS 70DU EY-P
12	1544	Spring Compression .500LG .42OD SS
13	1543	Tube Release .438OD.049 Wall
14	321652000	Nut-Shank 1-1/16-16Thd
15	325936000	Spacer Val 2F FCB VA
*	322859000	Tool-wrench Spanner

* Indicates Not Shown.

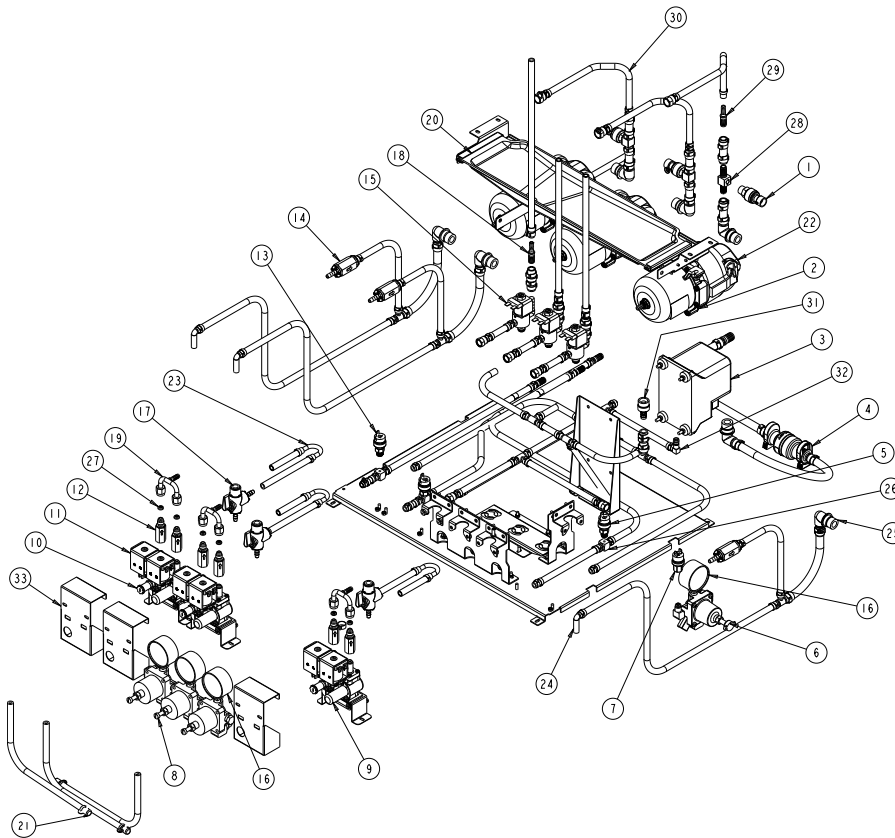


Figure 5. Product Delivery System

Table 5. Product Delivery System

Item	Part No.	Description
1	620059116	Transducer, Barrel Fill - Viper
	629097339	Kit 3 Barrel Fill Transducer Viper
2	620061583	Tank Expansion 21.5oz Flojet
	629097390	Kit Viper Expansion Tank
3	629096937	Kit-Pump Water FloJet
4	620054693	Reg Water 30 PSIG W 3/8 Fittings
5	620043083	Switch Sold Out Water - Viper
6	620709841	Reg CO ₂ S 1x30/1x100 2 1/4fl
	910705026	Reg Assy. 1 x 30 psi mod. for venting
7	620313290	Switch Sold Out CO ₂ - 3 FL Viper
8	183460016	Reg S SQ 60 RV CRTN
	910705027	Reg Assy. 3 x 60 psi mod. for venting
9	620608747	Valve Solnd Assy Wtr 0.82GPM
10	620608746	Valve Solnd Assy Syr 0.21GPM
11	620313722	Solenoid Pull 24VAC 50/60 C.D.
12	560002991	Valve Chk 7/16F X 7/16M CHUD
13	620313291	Switch Sold Out Syrup - 3 FL Viper
14	620609162	Valve Chk 1/4 BARB (2) SMC
15	620609161	Valve Sol CO ₂ KIP
16	620709847	Reg CO ₂ S 4x60 2 1/4 Fl 4fl Vpr
17	620609164	Valve Shut Off 3-Way Brix Valve
18	620716343	Orifice .030ID SS

Table 5. Product Delivery System

Item	Part No.	Description
19	620720662	Fitg U-Brb 1/4 X 1/4 FL (2)
20	620522937	Condensation Tray
21	620047684	Cap Vinyl .437 Id With Tether
22	620061927	Insulation W/adhes Mini Exp Tank VPR
23	77900300	Tube U 1/4 Barb(2) Ss
24	620720663	Fitting-Push L3/8 Stem X 1/4 Barb
25	620720658	Ftng L-Brb10/13 MM X Port FloJet
26	5083	Fitg T-brb 1/4(2) X 1/8fpt
27	178025100	Gasket 1/4 Male Flare Fitg
28	560002700	Fitg T-brb 3/8(2) X 1/8fpt SS
29	77040700	Splicer Barb 250 X 375 Stn Stl
30	620059276	Tube Asy Product Barrel Inlet Vpr Transducer
31	620720673	Fitting Barb3/8 X Port SS FloJet
32	620720672	Fitting CO ₂ L-Brb 1/4 Port BR FloJet
33	620045337	Cover Flow Control Solenoid Viper
*	174478100	1/4" Beverage Tubing X 100' Roll
*	174292100	3/8" Beverage Tubing X 100' Roll
*	183099000	Kit Repair Reg. Secondary
*	620047065	Tube Assy, CO ₂ Venting 3 FL
*	620709068	FITG L-MIX 1/4BRB X 1/4

* Indicates Not Shown.

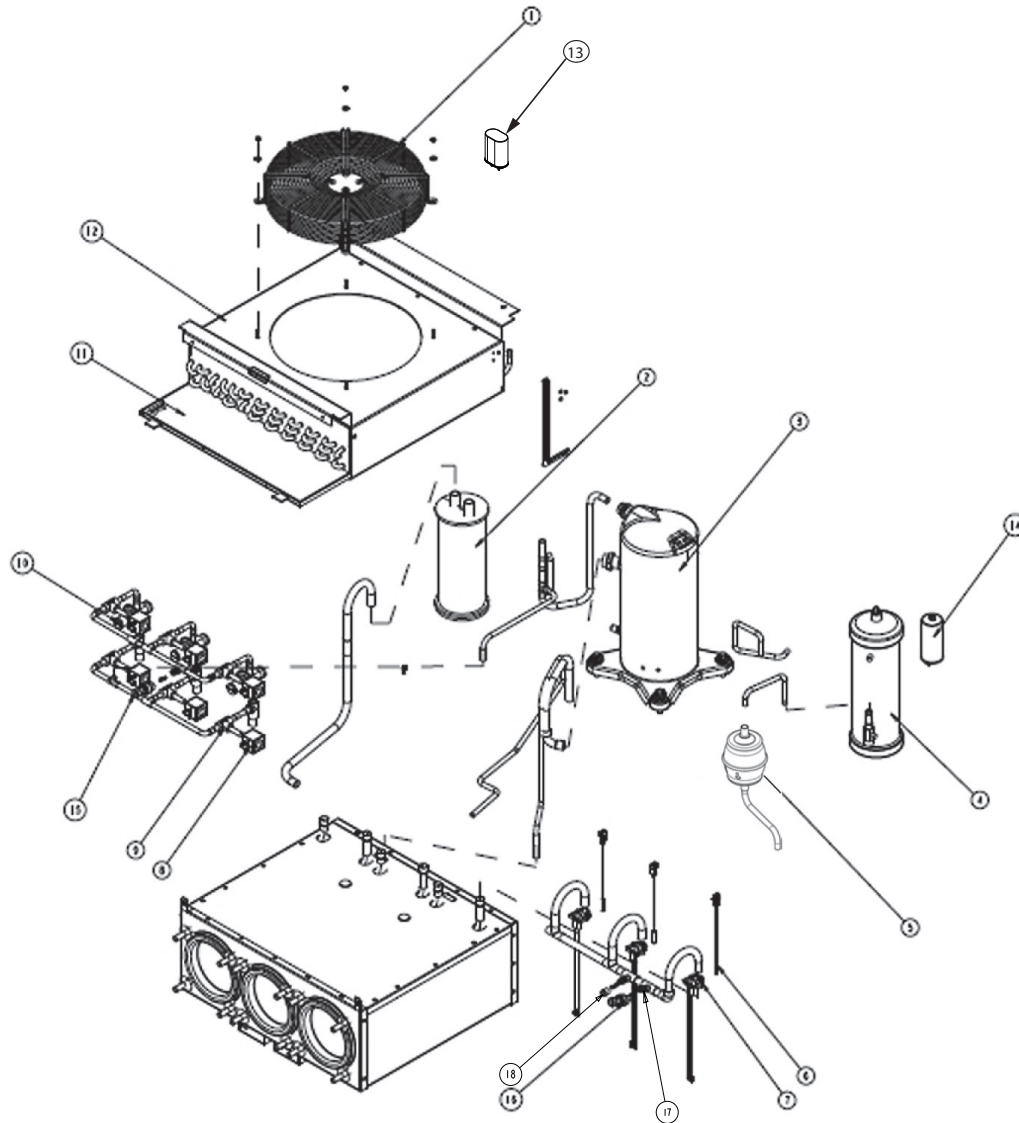


Figure 6. Refrigeration System

Table 6. Refrigeration System

Item	Part No.	Description
1	629096902	Kit Condenser Fan Viper 50/60Hz
1*	620071572	Fan Condenser Viper
2	620045372	Accum Suction Foamed Viper
3	629096901	Kit-Comp Scroll Copeland 404A 60 Hz-ZB19
	629096900	Kit-Comp Scroll Copeland 404A 50 Hz-ZB21
3*	620070871	Comp Vpr ZS19KAE-PFV/60HZ
4	620045290	Receiver, 90 Cu In.
5	60686	Dryer 27 IN3 Sngl 381ID R404
6	629096938	Kit-Sensor Thermistor 5K Ohm Viper
7	629096942	Kit-Sw. Therm. C/O Leaded Set 120F TCO
8	620313726	Solenoid Coil EVU 24VAC 50/60HZ
9	620609157	Valve, Solenoid EVU-3 Hot Gas and Liquid line
10	620609156	Valve, Expansion Automatic A7-B

Table 6. Refrigeration System

Item	Part No.	Description
11	620608618	Filter, Air 18.00" X 19.00" 3 FL Viper
12	620608016	Cond-Coil Assy - 3 FL Viper
12*	620071625	Cond-Coil Asy 3FL/4 Viper
13	620057820	Capacitor Motor Run Viper 60hz
14	620314319	Cap., Run 45uF 370VAC Stud-Mnt-60Hz
	620043082	Cap., Run 50uF 370VAC Stud-Mnt-50Hz
15	620314540	Sensor Transducer 500 PSI Refrig
16	620314539	Sensor Transducer 300 PSI Refrig
17	2636	Core Access Valve
18	315499000	Cap Quick Seal 1/4
19*	620072408	Switch Thermostat R448A
20**	620072074	Txv Tub EFD-1/5-L1

* - Applies to units produced after March 1, 2020 or units with R448a refrigerant.
 ** - Applies to R448a units only

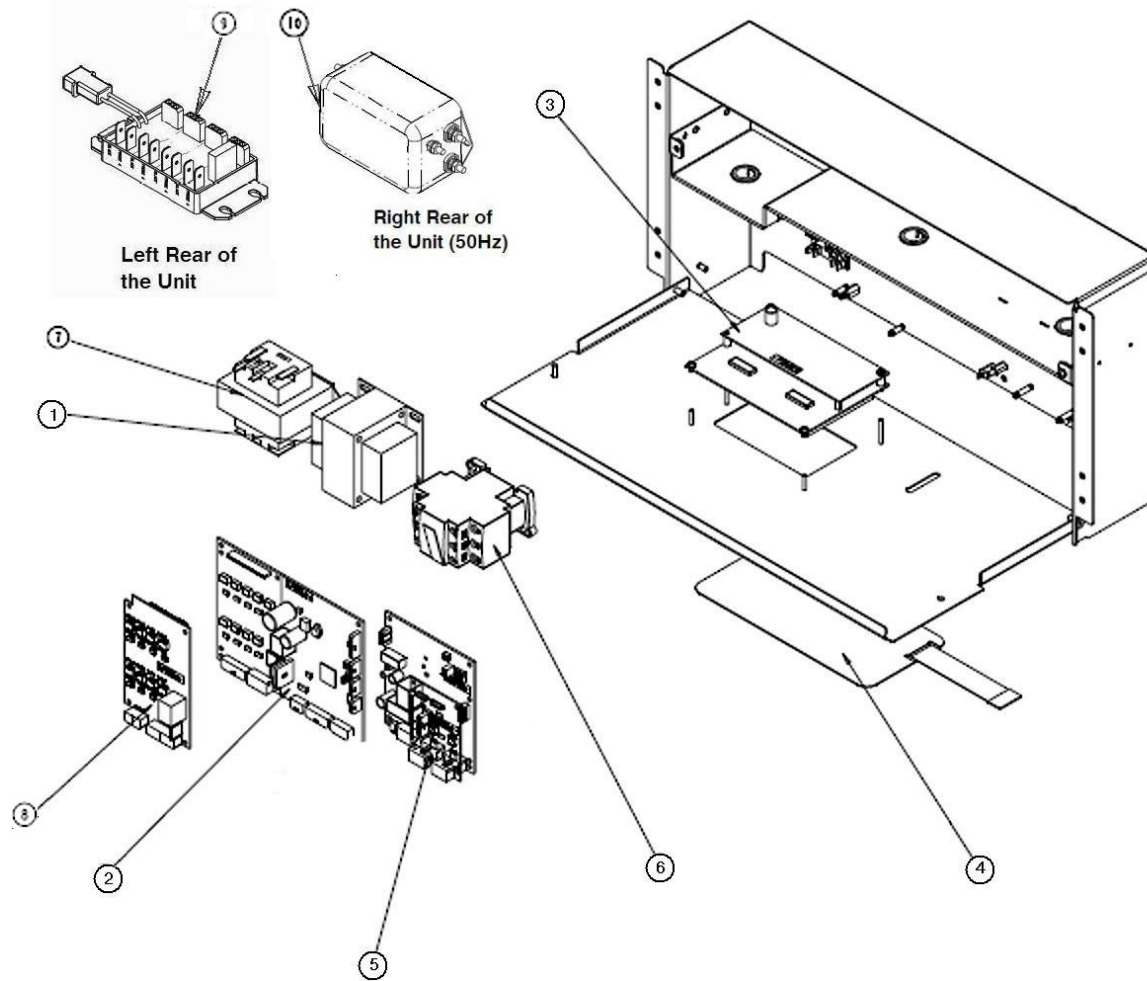


Figure 7. E-Box Assembly

Table 7. E-Box Assembly

Item	Part No.	Description
1	620710739	Transformer 60+75VA 120V:24V 50/60HZ
2	620314869-100	Kit Board Viper Ctl-main I/o Board
	620314869-200	Kit Board Vpr Ctl Main V3.x Software Tb
3	620314871-100	Kit Board Viper Ctl-main U/i Board
4	629096275	Kit-Key Pad Ctl Viper
5	620045351-100	Kit Control Motor Asy 3/4 Barrel
6	620314029	Relay Compress 24VAC Coil 600VAC Contacts
7	620710737	Transformer 80VA 240V; SEC Fastons
8	620314870	Kit Brd Expander 3FL Viper CTL Main IO Brd

Table 7. E-Box Assembly

Item	Part No.	Description
9	620047160-200	Board, PCBA 0-50 psig
10	560003953	Filter, RFI Single Phase-50 HZ
*	629096930SC	Kit, Language Chip - Chinese Simple UI Software Ver. 2
*	629096931SC	Kit, Language Chip - Chinese Simple UI Software Ver. 3
*	629096931KR	Kit, Language Chip - Korean UI Software Ver. 3
*	629096931FR	Kit, Language Chip - French UI Software Ver. 3
*	629096931LOFR	Kit, Language Chip - Low overrun French UI Software Ver. 3

* Indicates Not Shown.

Table 8. Harness Assemblies (Not Shown)

Item	Part No.	Description
*	620043067	Harness, Secondary, Exp Transformer
*	620045291	Harness, Motor Ground
*	620323247	Harness, Main E-Box IO PCBA to 24VAC Strip
*	620323348	Harness, Main E-Box Mtr Cont PCBA to Motor 1
*	620323657	Harness, Main Power E-Box 240VAC Pwr Sply
*	620323662	Harness, Mn E-Box IO PCBA to AC Loads
*	620323663	Harness, Mn E-Box IO PCBA to LCD Usr Intrfc PCBA
*	620323664	Harness, Mn E-Box 24VAC Strip to Mtr PCBA
*	620323665	Harness Pwr E-Box IO PCBA to Mtr Cntrl PCBA, Comm
*	620323667	Harness, Mn E-Box Mtr Cntrl PCBA to 24VAC Sply Pwr E-Box
*	620323670	Harness, Pwr E-Box 240VAC Compr Cont.
*	620323671	Harness, Pwr 240VAC to Condenser Fan Contact
*	620323700	Harness, Mn E-Box to TCO
*	620323706	Harness, Mn E-Box Mtr Cntrl PCBA to Motor 2
*	620323717	Harness, Mn E-Box Mtr Cntrl PCBA to Motor 3
*	620323718	Harness, Mn E-Box IO PCBA to Sold-Out Sw Brl 3
*	620323719	Harness, Mn E-Box IO PCBA to Therm 3-Brl
*	620323729	Harness, Dual Pres. Transducer
*	620323731	Harness, Condenser Fan, Long
*	620323733	Harness, Primary, Second Transformer
*	620323738	Harness, Mn E-Box to Mn Transformer
*	620056073	Harn Barrel Fill Switch
*	620047350	Harn Press Sensor Packard To Molex Mirco-fit 3.0 20"
*	620047351	Harn 24vac 1/4" Fast-ons To Amp Mate-n-lock 36"
*	620055123	Harn Viper 3fl/4fl Wire Harn PCBA To AC Loads
#*	620071573	Harn Pcba To Ac Loads Viper
#*	620071842	Power Cable-molded Plug
#- Applies to R448a units and units produced after March 1, 2020.		

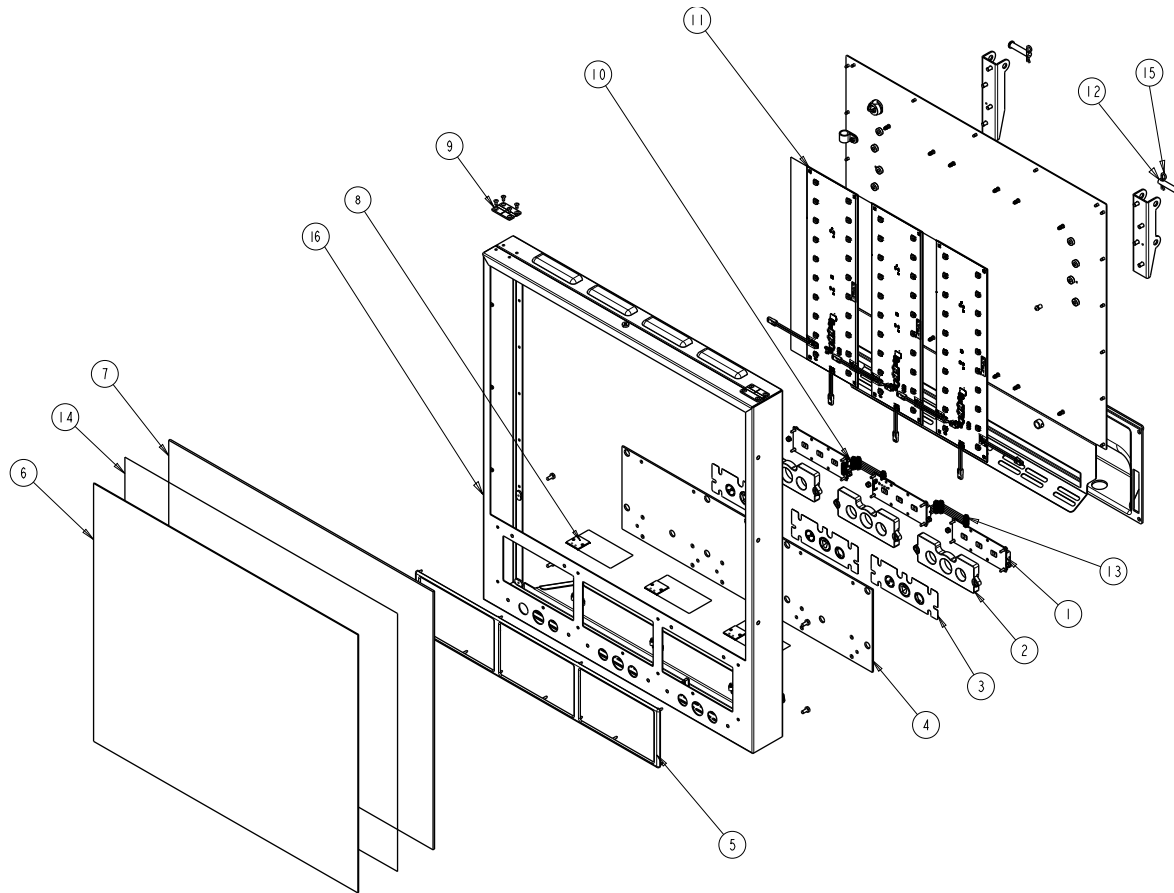


Figure 8. Merchandiser Assembly Classic model (Tall Version shown)

Table 9. Merchandiser Assembly Classic model

Item	Part No.	Description
1	620314875	Kit-Board Viper Ctl_Barrel Status Extender
2	620518917	Plate Mtg Viper Ctl Barrel Status
3	620928781	Graphic Board Viper Ctl Barrel Status
4	620042855	Diffuser Flavor Card 3FL Viper
5	620050816	Display Flavor Card CT PCL
6	620518246	Lens Graphic Merchandiser 3FL Viper
	620047145	Lens Graphic Merchandiser 3 FL Viper-short
7	620053953	Kit-Diffuser Inside Merchandiser 3FL Viper
	620047144	Kit-Diffuser Inside Merchandiser 3FL Viper-Short
8	620521775	Kit-Merchandiser Assy Downlight PCBA
9	629096926	Kit-Hinge Plastic Merchandiser 3FL Viper 2Pcs
10	620314874	Kit-Board 3FL Viper Ctl_Barrel Status
11	620061825	Merchndsr Assy Backlight Pcba W/led Circuit
	629097425	Kit Led Backligh Merch 3 FI Viper
12	629096936	Kit-Pin Hinge 3FL Viper 2Pcs
13	620323668	Harness Main LED Status to Extender LED Status

Table 9. Merchandiser Assembly Classic model

Item	Part No.	Description
14	620046410	Graphics Viper 3FL
	620047173	Graphics Piper 3 FL-short
	620071723	Graphics Merch Translite Viper 3 Barrel Tall
	620071724	Graphics Merch Translite Viper 3 Barrel Short
15	398034400	Pin Htch 080D 1.562 STZI
16	620050225	Merchndsr Box 3fl Viper
	620047147	Merchndsr Short Box 3fl Vpr
*	620042868	Flavor Card - 18 Card Set (Not Shown)
*	620046771	Hinge for Short Merchandiser Viper (Not Shown)
*	620061826	Ham Merchndsr Viper Led Backlight
*	620052148	Card Flavor Bp Viper
*	620051378	Card Flavor Coke Viper
*	620051379	Card Flavor Pepsi Viper
*	620065324	Card Flavor Viper 6.5 X 4.0 - Bk
*	620043061	Harness Main E-Box to Merchandiser W/24VAC

* Indicates Not Shown.

Cornelius Inc.
www.cornelius.com