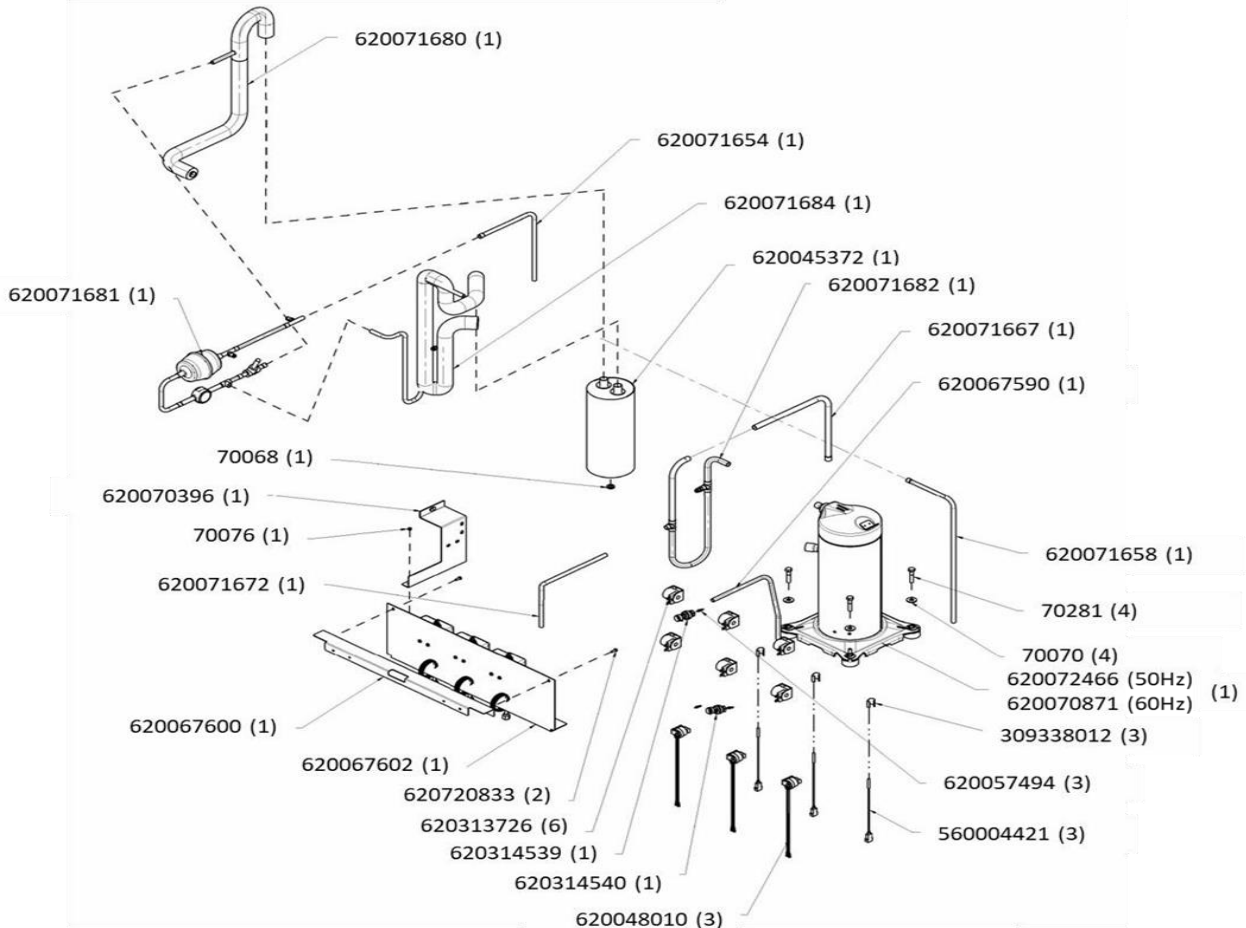


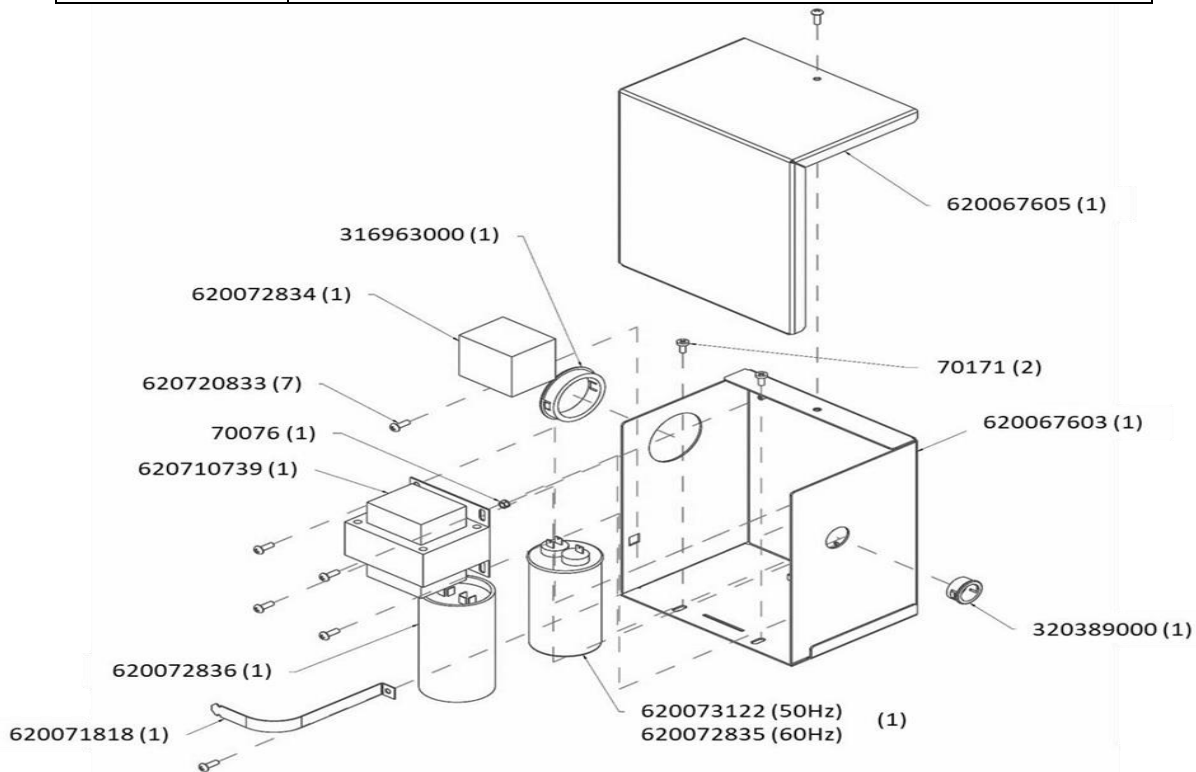
VIPER REMOTE CONDENSER IPL FOR BALANCE OF PARTS REFRIGERATION COMPONENTS

PART NUMBER	DESCRIPTION
3609	SPACER COMP MOUNT COPELAND 1"+
560004421	SENSOR THERMISTOR 5K OHM PC
620045372	ACCUM SUCTION FOAMED VIPER
620048010	SWITCH THERMAL CUT-OFF LEADED
620057494	CORE VALVE RFG 800PSI STD HNBR
620071963	LINE RFG FLEX- 3/8IN X 6FT
620071964	LINE RFG FLEX - 1/2 IN X 6FT
620071965	INSULATION TUBG 5/8 IN X 6FT
620071966	INSULATION TUBG - 3/4IN X 6FT
620072466	COMP ZS20KAE-PFJ R448 50Hz
620313726	SOLENOID COIL EVU 24VAC 50/60H
620314539	SENSOR TRANSDUCER 300 PSI REFR
620314540	SENSOR TRANSDUCER 500 PSI REFR
60686	FILTER DRIER



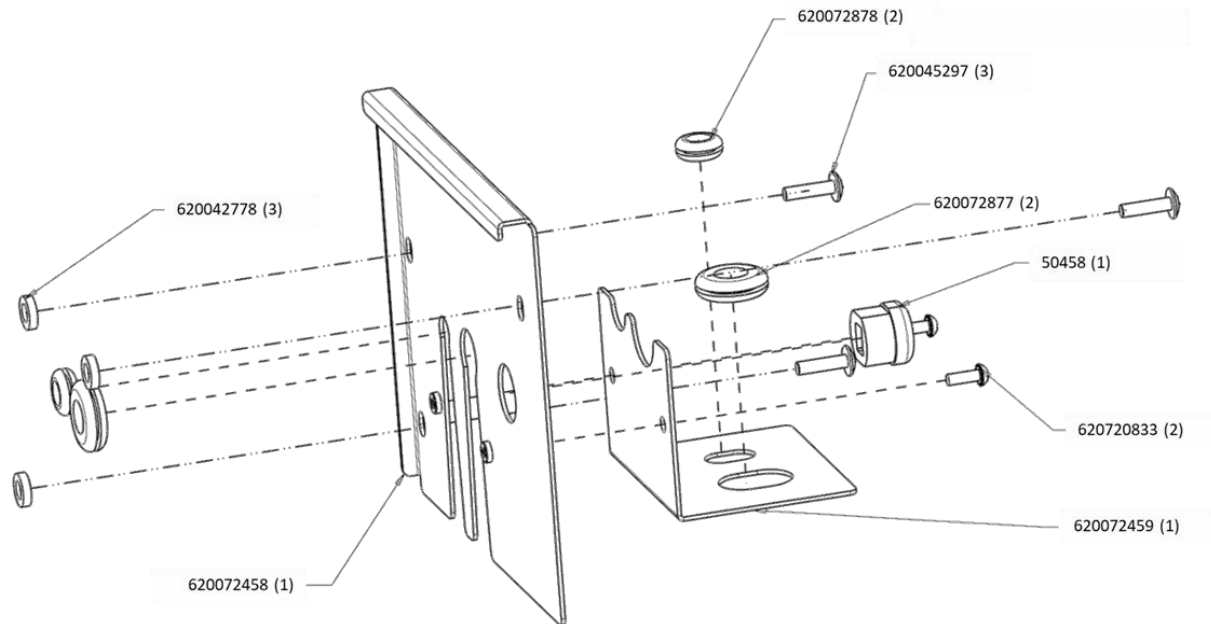
Rear E Box Parts List

PART NUMBER	DESCRIPTION
70076	NUT HEX 08-32 STCA KEPS 1/8
70171	SCREW MA 08-32 TRPH 12 SS
316963000	BUSHING SNAP 2.0H 1.6ID SB2000
320389000	BUSHING SNAP 875H 687ID
620067603	BOX ELEC SECONDARY REMOTE VPR
620067605	EBOX-SECONDARY COVER
620071818	CAP STRAP REMOTE E-BOX
620072834	RELAY COMP START VPR REMOTE
620072836	CAPAC START VIPER REMOTE (50 Hz and 60 Hz)
620073122	CAPAC RUN 60 μ F 370VAC (50 Hz)
620710739	TRANSFRMR 60+75VA 240V:24V 50/60HZ
620720833	SCREW SE 08-32 PAPH 16 STZI



Line set connection components

PART NUMBER	DESCRIPTION
50458	STRAINRELIEF
620042778	SPACER RETAIN 1/2" DIA #10-32
620045297	SCREW 10-32 X 3/4" TYPE F TRPH
620072458	BRKT VIPER REMOTE TUBE EXIT
620072459	BRKT VIPER REMOTE TUBE EXIT BE
620072877	GROMMET RBR 1/2"ID 1/16"GRV 13
620072878	GROMMET RBR 3/8"ID 1/16"GRV 1/
620720833	SCREW SE 08-32 PAPH 16 STZI



Pressure Switches			
Description	Bypass Switch	High-Pressure Switch	Fan Cycle Switch
Cornelius PN	620072829	620072828	620072827
Emerson PN	PS1-Y3K	PS1-Y5K	PS1-X5K
Cut Out	20 psig	430 psig	295 psig
Cut In	5 psig*		245 psig*
Differential	15 psig		50 psig
Internal Connection	Orange wires to 1 and 2	Grey wire to 11 Purple wire to 12	Black wires to 11 and 12

