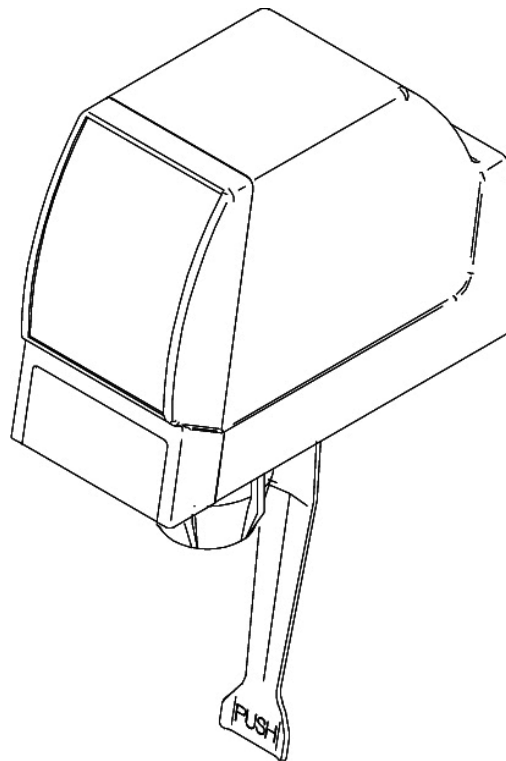




UF-1 AND UFB-1 POST MIX-DISPENSING VALVE ILLUSTRATED PARTS LIST



Release Date: January 01, 2007

Publication Number: 315222003IPL

Revision Date: December 20, 2020

Revision: L

Visit the Cornelius web site at www.cornelius.com for all your Literature needs.

Notice

The products, technical information, and instructions contained in this manual are subject to change without notice. These instructions are not intended to cover all details or variations of the equipment, nor to provide for every possible contingency in the installation, operation or maintenance of this equipment. This manual assumes that the person(s) working on the equipment have been trained and are skilled in working with electrical, plumbing, pneumatic, and mechanical equipment. It is assumed that appropriate safety precautions are taken and that all local safety and construction requirements are being met, in addition to the information contained in this manual.

This Product is warranted only as provided in Cornelius' Commercial Warranty applicable to this Product and is subject to all of the restrictions and limitations contained in the Commercial Warranty.

Cornelius will not be responsible for any repair, replacement or other service required by or loss or damage resulting from any of the following occurrences, including but not limited to, (1) other than normal and proper use and normal service conditions with respect to the Product, (2) improper voltage, (3) inadequate wiring, (4) abuse, (5) accident, (6) alteration, (7) misuse, (8) neglect, (9) unauthorized repair or the failure to utilize suitably qualified and trained persons to perform service and/or repair of the Product, (10) improper cleaning, (11) failure to follow installation, operating, cleaning or maintenance instructions, (12) use of "non-authorized" parts (i.e., parts that are not 100% compatible with the Product) which use voids the entire warranty, (13) Product parts in contact with water or the product dispensed which are adversely impacted by changes in liquid scale or chemical composition.

Correct Disposal of this Product

This marking indicates that this product should not be disposed with other household wastes throughout the EU. To prevent possible harm to the environment or human health from uncontrolled waste disposal, recycle it responsibly to promote the sustainable reuse of material resources. To return your used device, please use the return and collection systems or contact the retailer where the product was purchased. They can take this product for environmental safe recycling.

Trademarks and Copyrights

This document contains proprietary information and it may not be reproduced in any way without permission from Cornelius. This document contains the original instructions for the unit described.

Marmon Foodservice Technologies, Inc.
101 Regency Drive
Glendale Heights, IL
Tel: + 1 800-238-3600

Printed in U.S.

Contact Information

To inquire about current revisions of any documentation or assistance with any Cornelius product, contact:

www.cornelius.com
800-238-3600

UF-1 AND UFB-1 POST-MIX DISPENSING VALVE

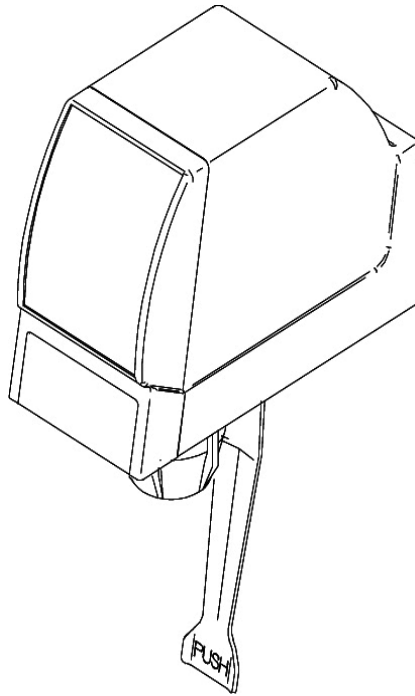


Figure 1.

| Part Numbers | Description | Flow Rate (Oz/Sec) |
|--|---|--------------------------|
| Portion Control Valves | | |
| 2307 | UF-1, ceramic regulator, with mounting block and covers | 1.5-3 Oz (44.4-88.8 ml) |
| 561000159 | UFB-1 , ceramic regulator, with mounting block and covers | 2-4 Oz(60-120 ml) |
| 2312 | UF-1, ceramic regulator, without mounting block and covers | 1.5-3 Oz (44.4-88.4 mL) |
| 561000158 | UFB-1, ceramic regulator, without mounting block and covers | 2-4 Oz (60-120 ml) |
| Push Button Valves | | |
| 2304 | UF-1, ceramic regulator, with mounting block and covers | 1.5-3 Oz (44.4-88.8 ml) |
| 1966 | UF-1, ceramic regulator, without mounting block and covers | 1.5-3 Oz (44.4-88.8 ml) |
| 561000162 | UFB-1 , ceramic regulator, with mounting block and covers | 2-4 Oz (60-120 ml) |
| 561000161 | UFB-1, ceramic regulator, without mounting block and covers | 2-4 Oz (60-120 ml) |
| Optifill™ Automatic Shut-Off Valves | | |
| 2306 | UF-1, ceramic regulator, with mounting block and covers | 1.5-3 Oz (44.4-88.8 ml) |
| 561000165 | UFB-1, ceramic regulator, with mounting block and covers | 2-4 Oz (60-120 ml) |
| 561000164 | UFB-1, ceramic regulator, without mounting block and covers | 2-4 Oz (60-120 ml) |
| Sanitary Lever Valves | | |
| 561000121 | UF-1 , ceramic regulator, with mounting block and covers | 1.5-3 Oz (44.4 -88.8 ml) |
| 561000120 | UF-1, ceramic regulator, without mounting block and covers | 1.5-3 Oz (44.4 -88.8 ml) |
| 561000156 | UFB-1, ceramic regulator, with mounting block and covers | 2-4 Oz (60-120 ml) |
| 561000155 | UFB-1, ceramic regulator, without mounting block and covers | 2-4 Oz (60-120 ml) |



| Part Numbers | Description | Flow Rate (Oz/Sec) |
|-----------------------------------|--|-------------------------|
| Juice Valves | | |
| 561000126 | Sanitary lever with mounting block and covers | 1.5-3 Oz (44.4-88.8 ml) |
| 561000124 | Sanitary lever without mounting block and covers | |
| 561000102 | Push button activation without mounting block and covers | |
| Hi Ratio Diet Syrup Valves | | |
| 740001213 | UFB-1 Sanitary lever, high ratio diet complete valve with back block and covers | 2-4 Oz (60-120 ml) |
| 740001214 | UFB-1 Push button, high ratio diet complete valve with back block and covers | |
| 740001215 | UFB-1 Portion Control, high ratio diet complete valve with back block and covers | |
| 740001216 | UFB-1 Optifill, high ratio diet complete valve with back block and covers | |
| 620055292 | UFB-1 Optifill, high ratio diet valve without back block and covers | |
| Illuminated Valves | | |
| 629097801 | Conversion kit, Patented illuminated sanitary lever | N.A |
| 620070513 | UFB-1, Illuminated Sanitary lever valve with back block and covers | 2-4 Oz (60-120 ml) |
| 620070515 | UF-1, Illuminated Sanitary lever valve with back block and covers | 1.5-3 Oz (44.4-88.8 ml) |

UF-1 AND UFB-1 VALVE ASSEMBLY

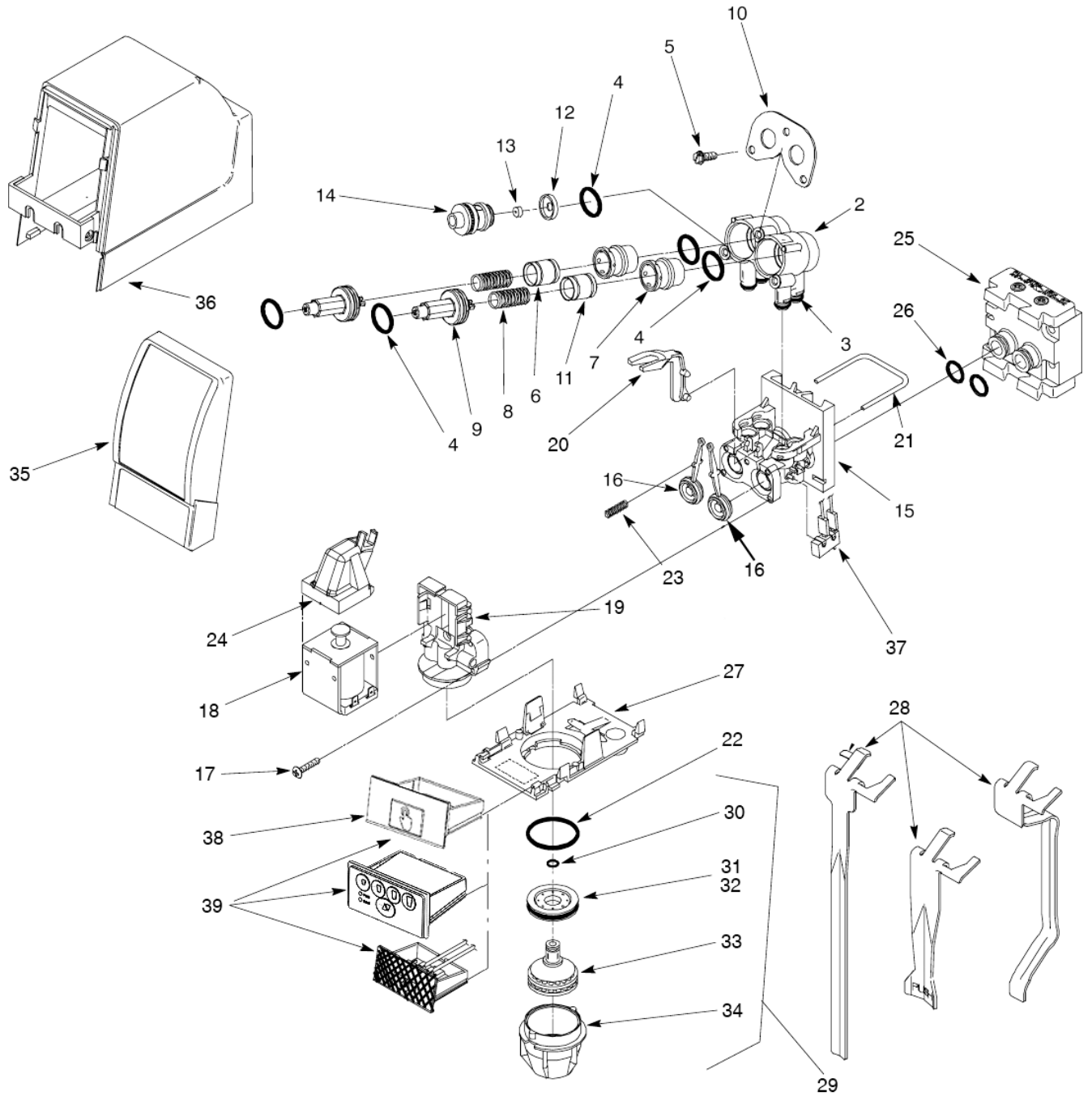


Figure 2.



| Item No. | Part No. | Description |
|----------|-----------|--|
| 1 | 1954 | Flow Control Assy 1.5-3oz/sec. (Includes 2--11) |
| | 560006408 | Flow Control Assy 2-4oz/sec. (Includes 2--11) |
| | 1957 | Flow Control Assy Washer 1.5oz/sec. (Includes 2--14) |
| | 560001800 | Base Assy 1.5-3oz/sec. (Includes 2--25) |
| | 560001801 | Base Assy 3-4.5oz/sec. (Includes 2--25) |
| | 560001802 | Base Assy OptiFill™ 1.5-3oz/sec. (Includes 2--25) |
| | 560001803 | Base Assy OptiFill™ 3-4.5oz/sec. (Includes 2--25) |
| | 560001804 | Base Assy Washer 3-4.5oz/sec. (Includes 2--25) |
| | 560006875 | Base Assy 2 4oz/sec (Includes 2-sec. 2--25) |
| | 560006876 | Base Assy OptiFill™ 2-4oz/sec. (Includes 2--25) |
| 2 | 1907 | Body Flow Control 1.5-3oz/sec. Black |
| | 560006177 | Body Flow Control 2-4oz/sec. Blue |
| | 740000262 | Body Flow Control Low Flow Hi--Carb Gray |
| | 740000796 | Body Flow Control High Yield Diet |
| 3 | 740001852 | O-RING 239ID 077CS 70DU E16 |
| 4 | 317816000 | O-Ring .676 I.D. |
| 5 | 560001108 | Screw TT 8-16 OVPH 26 |
| 6 | 310754011 | Piston Water Reg 1.5-3oz/sec. |
| | 560006006 | Piston Water Reg 2-4oz/sec. |
| 7 | 1934 | Cylinder Flow Control |
| | 4386 | Cylinder Juice Flow Control |
| 8 | 1940 | Spring Flow Control |
| | 560006176 | Spring Flow Control 2-4oz/sec. |
| 9 | 560007207 | Scw Adj Flow Assy |
| 10 | 1929 | Retainer Body Flow Control |
| 11 | 310480011 | Piston Syr Reg 1.5-3oz/sec |
| | 560006005 | Piston Syr Reg 2-4oz/sec. |
| | 2635 | Piston Syr Reg Crmic Conv |
| 12 | 319546011 | Cap Housing Flow Washer. |
| 13 | 311194000 | Flow Washer 1.5oz/sec. |

| Item No. | Part No. | Description |
|----------|-----------|------------------------------------|
| 14 | 1949 | Housing Flow Washer. |
| 15 | 1900 | Body Valve |
| 16 | 1947 | Valve Banjo (Black) |
| 17 | 2318 | Screw TT 6-19 PAPH 24 |
| 18 | 1918 | Solenoid Pull AC |
| | 2168 | Plunger Solenoid AC |
| 19 | 1901 | Head Valve Black |
| | 1902 | Head Valve OptiFill™ Black |
| | 740000261 | Head Valve Low Flow Hi--Carb Gray |
| 20 | 1911 | Actuator Arm |
| 21 | 1930 | Retainer |
| 22 | 183184000 | O-Ring 1.174 I.D. |
| 23 | 1931 | Spring Return Val |
| 24 | 560003083 | Cover Solenoid |
| 25 | 1919 | Block Mtg Assy |
| 26 | 312414000 | O-Ring .426 I.D. |
| 27 | 1903 | Plate Bottom |
| 28 | 4965 | Lever Valve |
| | 560003252 | Lever Valve OptiFill™ |
| | 560003193 | Lever Valve Self Serve |
| 29 | 1922 | Nozzle Assy Black (Includes 30-34) |
| | 560001734 | Nozzle Assy Juice (Includes 30-34) |
| 30 | 740001852 | O-RING 239ID 077CS 70DU E16 |
| 31 | 1913 | Diffuser |
| 32 | 311086000 | O-Ring .926 I.D. |
| 33 | 1917 | Baffle Inner Assy Black |
| | 560001733 | Baffle Inner Assy Juice |
| 34 | 1945 | Nozzle Black |
| 35 | 1956 | Cover Val Fnt |
| | 1951 | Cover Val Fnt w/Cutout |
| 36 | 1950 | Cover Val Back |
| 37 | 740002315 | Switch and Lead Assy |
| | 560002596 | Swt Micro-B |
| | 1923 | Switch and Harn Self Serve |
| | 1927 | Housing |
| 38 | 1943 | Overlay Swt Push |
| 39 | 2325 | Module Assy Self Serve |
| | 3518-300 | Portion Control Module |
| | 4391 | Module Assy OptiFill™ |

ILLUMINATED VALVE COVER

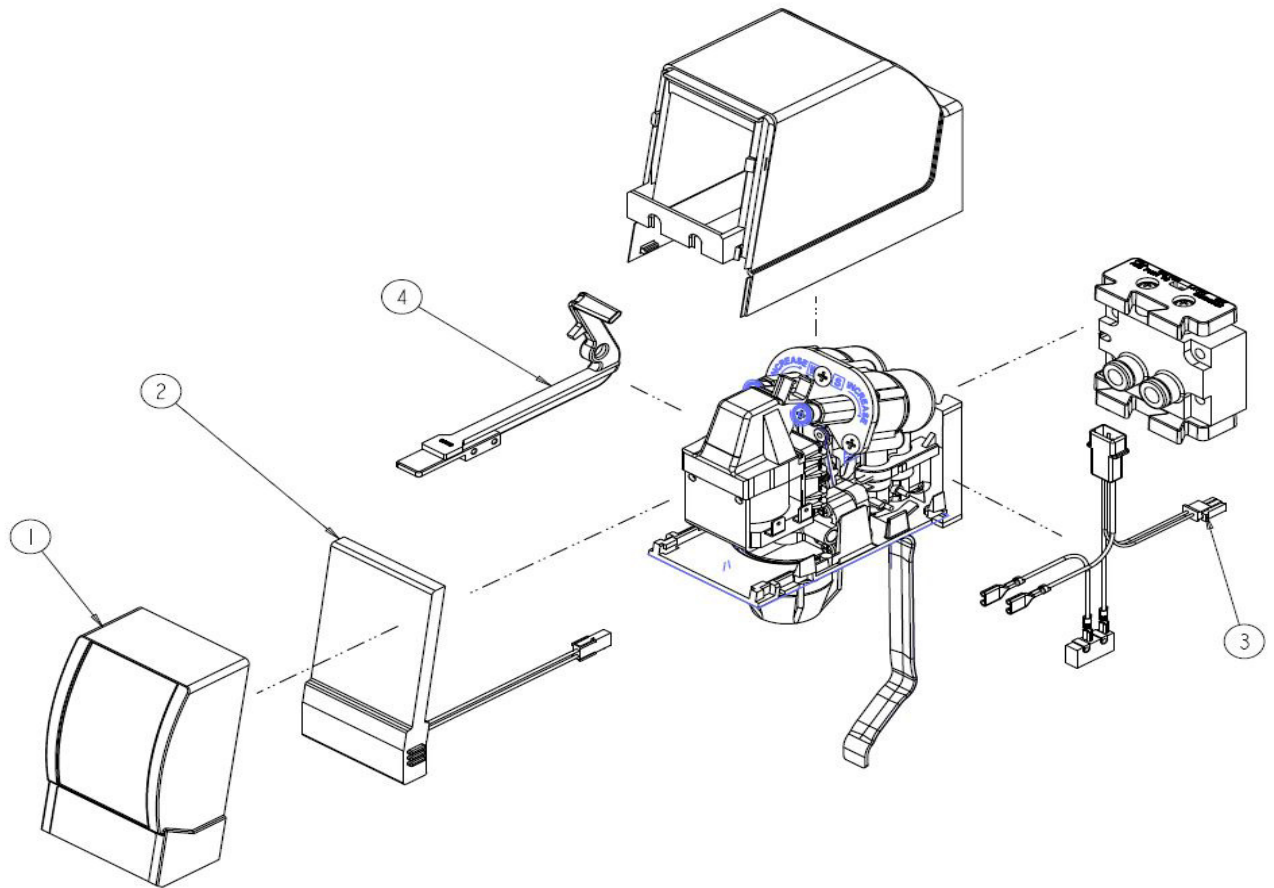


Figure 3.

| Item No. | Part No. | Description |
|----------|---------------|---|
| 1 | 620065122-001 | Cover Valve UF1/UFB Illuminated Front |
| 2 | 620065120 | LED Light Module |
| 3 | 620065009 | Harness Assembly Illuminated Valve w/o Switch |
| 4 | 859000142 | UF1 Water Lever with Extension |

NOTE: The above items are contained in the following conversion KIT

| KIT Part No. | Description |
|--------------|------------------------------|
| 629097801 | Kit CONV Illuminated UF1/UFB |

UF-1 AND UFB-1 POST-MIX DISPENSING VALVE

ACCESSORIES/KITS



Figure 4.

| Part No. | Description |
|-----------|--|
| 311100000 | Brix Cup 5-5.5 to 1 Ratio |
| 3297 | Water Lever Kit |
| 319540000 | Separator Syrup S/Tube, UF-1 And UFB-1 |



Cornelius Inc.
www.cornelius-usa.com