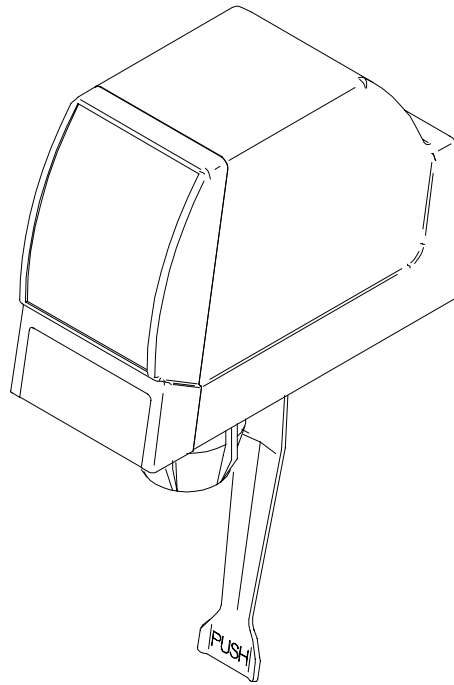




UF-1 Post-Mix Valve



Operator's Manual

Release Date: June 20, 1994
Publication Number: 315222002
Revision Number: May 07, 2014
Revision: B

TABLE OF CONTENTS

	PAGE		PAGE
INTRODUCTION	1	DISPENSING VALVE WITH ADJUSTABLE WATER FLOW REGULATOR	11
UF-1 VALVES MODELS	1	ADJUST WATER-TO-SYRUP RATIO	11
CUP ACTUATED VALVE	1	UF-1 DISPENSING VALVE	11
SELF-SERVE	1	SERVICE AND MAINTENANCE	13
PORTION CONTROL	1	CLEANING DISPENSING VALVE	13
OPTIFILL™ DISPENSING CONTROL ...	2	REMOVAL AND REPLACEMENT PROCEDURES OF UF-1 VALVE	14
FLOW RATES	2	REMOVE AND REPLACE SOLENOID COIL	14
MOUNTING BLOCK	2	REMOVE AND REPLACE SWITCH	14
ENVIRONMENTAL REQUIREMENTS ...	2	REMOVE AND REPLACE SYRUP OR WATER FLOW REGULATOR	15
ALTERNATE DISPENSING MODULES	3	REMOVE AND REPLACE WATER FLOWASHER ASSEMBLY	16
UF-1 MANUAL DISPENSE	3	REMOVE AND REPLACE INLET BANJO VALVE	17
UF-1 PORTION CONTROL	3	REMOVE AND REPLACE CONTROL MODULES	18
UF-1 OPTIFILL™ DISPENSING CONTROL	3	TROUBLESHOOTING	21
OPERATION	4	WATER-TO-SYRUP RATIO TOO LOW OR TOO HIGH	21
UF-1 DISPENSING VALVE	4	ADJUSTMENT OF DISPENSING VALVE SYRUP FLOW REGULATOR DOES NOT INCREASE TO DESIRED WATER-TO-SYRUP RATIO.	21
UF-1 ELECTRIC DISPENSING VALVE ..	4	ADJUSTMENT OF DISPENSING VALVE SYRUP FLOW REGULATOR DOES NOT DECREASE TO DESIRED WATER-TO-SYRUP RATIO	21
OPTIONAL WATER LEVER	4	NO PRODUCT DISPENSED FROM ALL DISPENSING VALVES.	21
UF-1 DISPENSING VALVE WITH SELF-SERVE DISPENSE SWITCH.	4	NO PRODUCT DISPENSED FROM ONE DISPENSING VALVE.	22
UF-1 DISPENSING VALVE WITH PORTION CONTROL.	4	ONLY CARBONATED WATER DISPENSED.	22
OPTIFILL™ DISPENSING VALVE CONTROL	5	ONLY SYRUP DISPENSED.	22
PORTION CONTROL OPERATION	6	VALVE SOLENOID OPERATES BUT NO PRODUCT IS DISPENSED.	22
ADJUSTMENTS	7	VALVE SLOW TO SHUT-OFF	22
ADJUSTING THE PORTION CONTROL ...	7		
CHANGING SIZE OF DRINK DISPENSED .	7		
ADJUSTING THE PORTION CONTROL ...	8		
OPTIFILL™ DISPENSING VALVE CONTROL	9		
PROGRAMMING TOP-OFF DELAY TIME ..	9		
WATER FLOW RATE	10		
DISPENSING VALVE WITH WATER FLOWASHER	10		
		LIST OF FIGURES	
		FIGURE 1. WIRING DIAGRAM (UF-1 DISPENSING VALVE)	19
		FIGURE 2. WIRING DIAGRAM (UF-1 SELF-SERVE DISPENSING VALVE)	19
		FIGURE 3. WIRING DIAGRAM (UF-1 DISPENSING VALVE WITH PORTION CONTROL) ..	20
		FIGURE 4. WIRING DIAGRAM (UF-1 OPTIFILL™ DISPENSING VALVE)	20

INTRODUCTION

The UF-1 (interchangeable with UFB-1) valve provides the fast flow capabilities required in today's business world; simplicity to provide dependability and ease of repair when needed and easy conversion to any of the available pouring formats.

Read this manual carefully to learn how to operate and maintain this valve. Failure to do so can result in loss of valve performance.

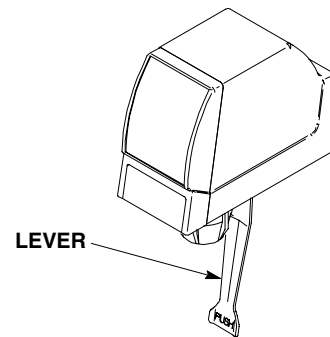
Consider this manual a permanent part of your equipment file.

UF-1 VALVES MODELS

IMPORTANT NOTICE: All UF-1 valve models are capable of flow rates of 1-1/2 to 3 ounces per second (High Flow) or 2 to 4 oz./sec. (UFB-1). Certain components of the valve must be changed to convert from High Flow to 2 to 4 oz./sec. or from 2 to 4 oz./sec. to High Flow. Qualified service persons should be contacted to make this conversion. The dispensing/cooling equipment that supplies syrup and water to the valves must be capable of providing enough 40°F water and syrup to permit the higher flow rates. Be certain the dispenser is capable of the higher flow rates before attempting to convert the valves.

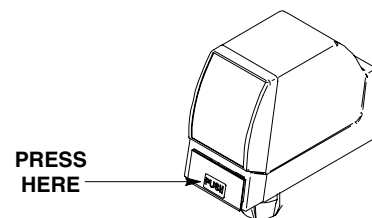
CUP ACTUATED VALVE

Operate the cup actuated valve by pressing the cup against the lever until the cup is full; then release the lever.



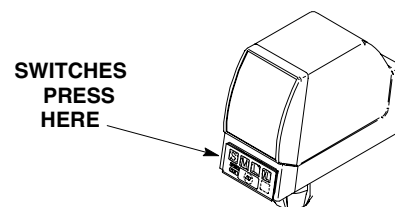
SELF-SERVE

Operate the Self-Serve by pressing the "PUSH" switch and holding until the desired amount of product has been dispensed, then release the "PUSH" switch.



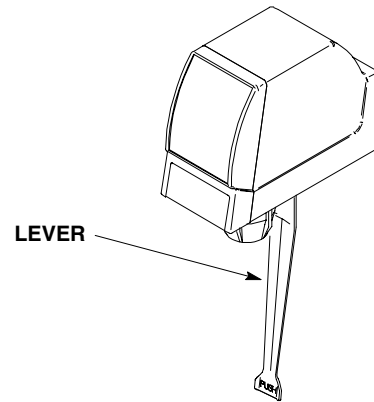
PORTION CONTROL

The portion control valve will dispense four different size drinks by pressing the desired switch. The valve also has a manual dispense function. The Portion Control valve can be programmed to dispense four different drink sizes.



Optifill™ DISPENSING CONTROL

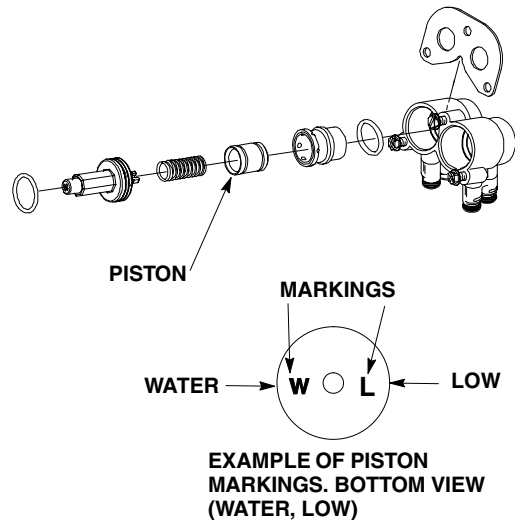
Operate the OptiFill™ model by pressing a cup against the lever and allowing it to remain there. The valve will automatically shut off when the liquid from the cup touches the lever. There is also an automatic top-off delay that can be disabled if desired.



FLOW RATES

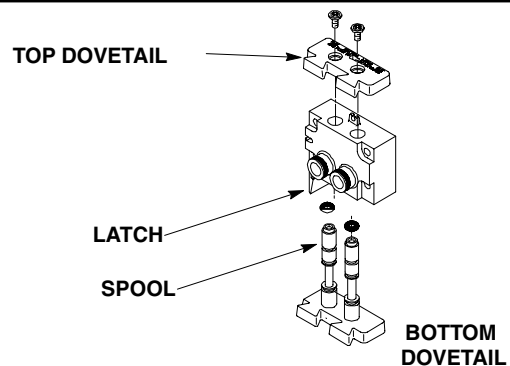
Water and Syrup pistons are marked for Low Flow (WL SL) or UFB-1 (W S). They may be supplied individually or as a Low or UFB-1 Control Module Assembly.

Module Ass'y High Flow	P/N 1954
Module Ass'y UFB-1	P/N 560006408
High Flow Pistons: (WL SL)	
Water	P/N 31-0754-011
Syrup	P/N 31-0480-011
UFB-1 Pistons: (W S)	
Water	P/N 56-000-6006
Syrup	P/N 56-000-6005



MOUNTING BLOCK

All UF-1 valves use the same mounting block. You can easily remove the valve from the mounting block by releasing the latch and depressing the top Dovetail. The water and syrup are now shut off and the valve is free to be removed. Pull the valve away from the block to remove. When installing the valve, place it on the mounting block and press the bottom dovetail upwards until the latch engages.



ENVIRONMENTAL REQUIREMENTS

Operational temperature range
0° C (32° F) to 60° C (140° F).

Operational relative humidity range
20% to 100%

UF-1 OptiFill™ Dispensing Valve Requires:

1. 24 VAC power supply connected to the dispenser chassis (see Installation Instruction P/N 3776 for details)
2. Water quality (electrical conductivity) *must* be 50-microsiemens or greater.

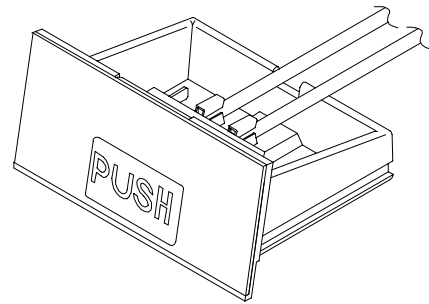
INSPECT THE VALVE REGULARLY AND PERFORM ALL MAINTENANCE PROCEDURES

1. Check syrup supply regularly. Replace when necessary.
2. Check CO₂ supply and water filters frequently. Replace when necessary.
3. Clean the valve as outlined in the maintenance section.
4. Sanitize the dispensing system as required for that model.
5. DO NOT abuse the valve.

ALTERNATE DISPENSING MODULES

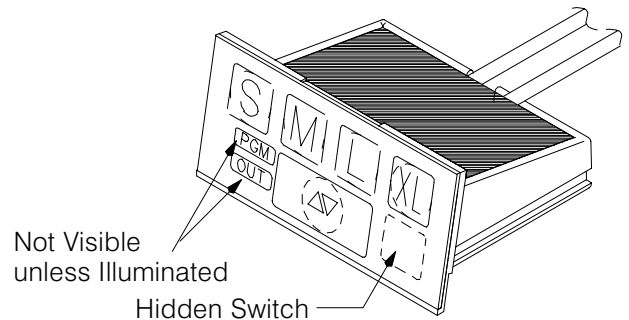
UF-1 MANUAL DISPENSE (PUSH BUTTON)

- Integrated styling with other control modules.
- Manual dispense “PUSH” for self-serve applications.



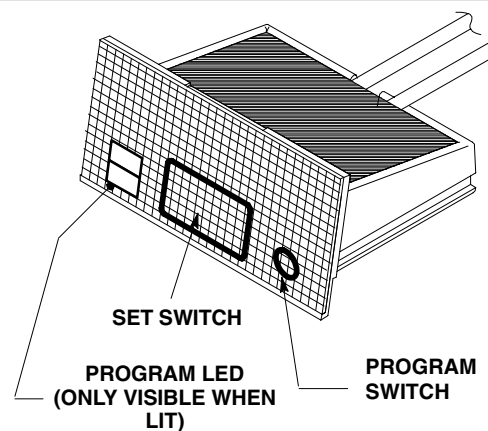
UF-1 PORTION CONTROL

- Four dispense sizes and manual pour.
- Fully programmable from front panel with Hidden Switch.
- Integrated styling with other control modules.
- Fully waterproof design.



UF-1 OptiFill™ DISPENSING CONTROL

- Automatic dispense and top-off delay.
- No sensitivity adjustment necessary for proper operation.
- Top-off delay time programmable.
- Fully waterproof design.

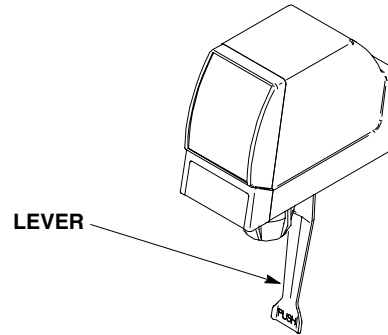


OPERATION

UF-1 DISPENSING VALVE

UF-1 ELECTRIC DISPENSING VALVE

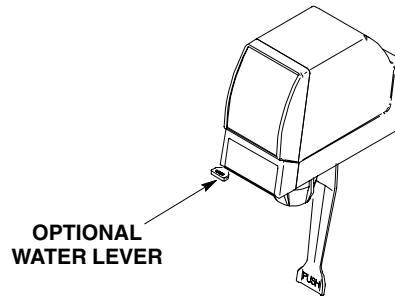
1. Press cup or glass against dispensing valve lever and dispense product until cup or glass is full. Then release lever.



OPTIONAL WATER LEVER

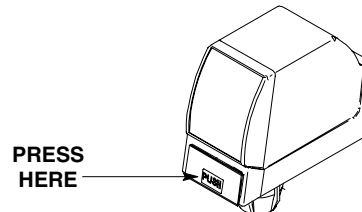
1. If water only is desired, place cup under a dispensing valve with the water lever. Press down on the water lever to dispense. Then release lever to stop dispensing.

Notice: The water lever is an optional item. The water lever is available as a kit, P/N 3297.



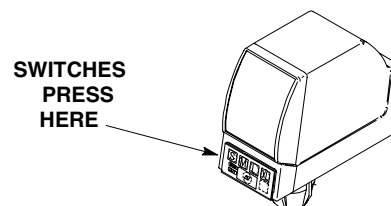
UF-1 DISPENSING VALVE WITH SELF-SERVE DISPENSE SWITCH.

1. Place cup or glass under dispensing valve nozzle.
2. Press and hold the dispense switch until the cup or glass is full. Then release the switch.



UF-1 DISPENSING VALVE WITH PORTION CONTROL.

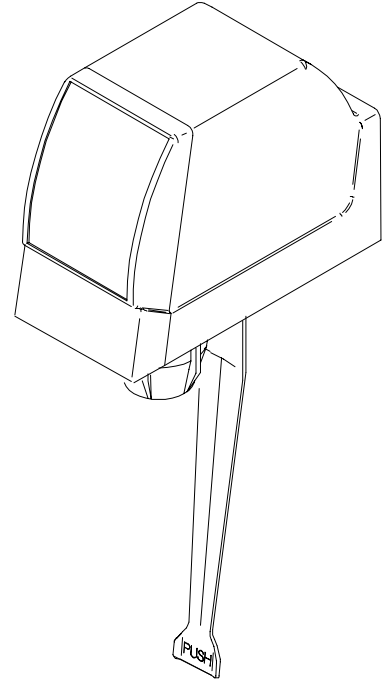
1. Place cup under dispensing valve nozzle.
2. Momentarily press and release one of the four drink size switches to dispense the portion size programmed. Dispensing will stop at the end of the programmed portion cycle. Push the "Cancel/Pour" button to interrupt the pour cycle or to top off the drink after the cycle stops.



OptiFill™ DISPENSING VALVE CONTROL

UF-1 Dispensing Valve With OptiFill™ Dispensing

1. Place cup (with ice if desired) against the operating lever and allow it to stay there as the cup fills.
2. When the cup is full and liquid from the cup touches the lever the valve will shut off.
3. Automatic "top-off" (if set) will begin after the preset time if the cup is allowed to remain in position against the valve.



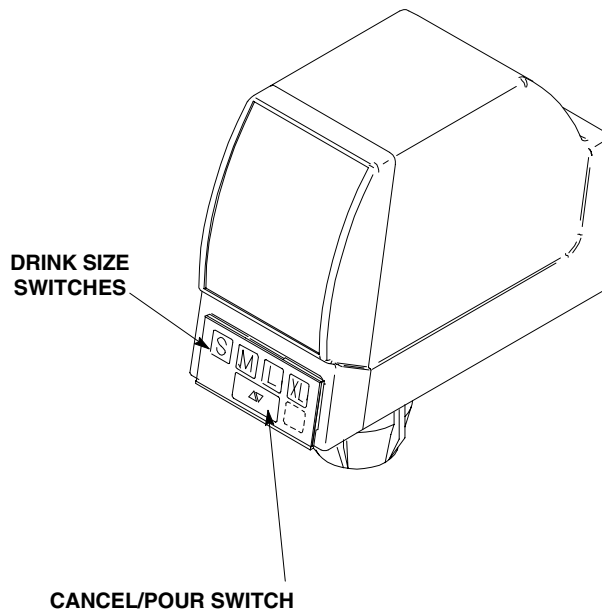
NOTES

PORTION CONTROL OPERATION

Notice: You must momentarily depress one of the four drink-size switches, then release before the drink will dispense. You can use the cancel/pour switch for the following two separate dispensing functions:

1. You can cancel the portion control drink by depressing and immediately releasing the cancel/pour switch. Do NOT hold switch in depressed position as drink dispensing will continue manually.
2. You may also use the cancel/pour switch to dispense a non-portion controlled drink by merely depressing and holding the cancel/pour switch until desired quantity has been dispensed, then release switch.

Notice: Each portion size is programmed at the factory and can be easily re-programmed in the field from the front control panel. The factory settings can be restored if necessary.



ADJUSTMENTS

ADJUSTING THE PORTION CONTROL

CHANGING SIZE OF DRINK DISPENSED

Use the programming mode to set the portion size to the desired setting.

To enter the programming mode, the following criteria must be met:

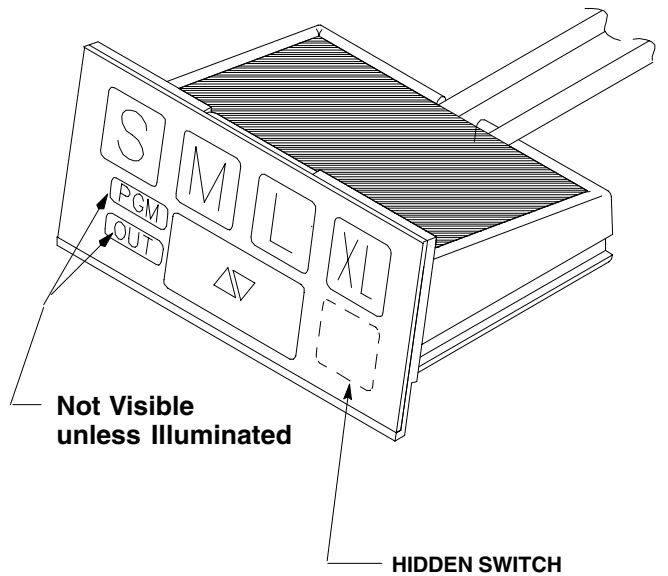
1. There is no active dispensing cycle in progress.

Accessing Programming Mode

1. Press and hold the hidden switch for 3 seconds, without interruption.

When you have entered into the program mode, the "PGM" LED will be illuminated. While in the programming cycle for any dispensing size, the "PGM" LED will flash.

Notice: On the Portion Control module, the "PGM/OUT" displays are not visible unless they are illuminated. This is similar to the dashboard warning lights on automobiles. They are shown here to identify their location.



ADJUSTING THE PORTION CONTROL

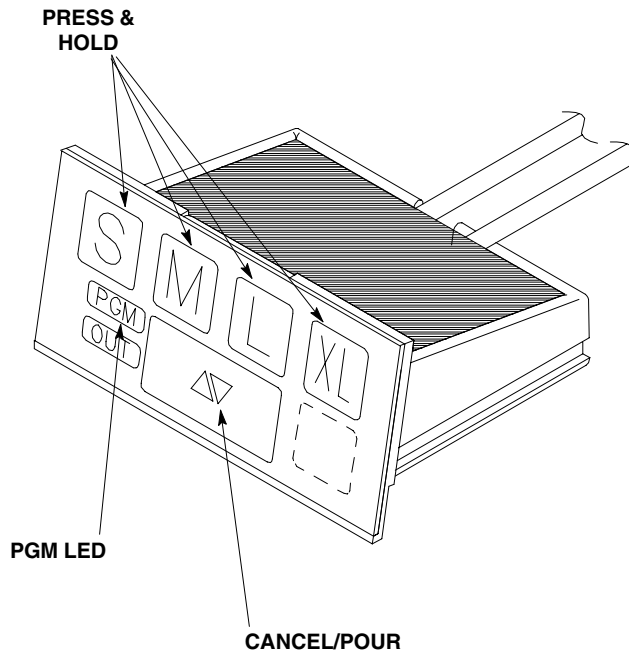
Program Mode Steps

1. Place appropriate size cup (with the desired amount of ice) under dispensing nozzle.
2. Press and hold the desired portion switch until the liquid/foam level reaches the desired cup level.

Notice: While in the programming mode the “PGM” LED will be illuminated. While pressing a portion switch the “PGM” LED will flash.

3. Release the switch storing the pour time value in memory. The “PGM” LED will stop flashing and return to steady illumination.
4. Programming steps for this drink size are now complete. Repeat steps 1 through 3 for each drink size to be programmed.

Notice: Any drink size may be programmed as many times as desired before exiting the program mode. It is not necessary to adjust all cup sizes while in the program mode.

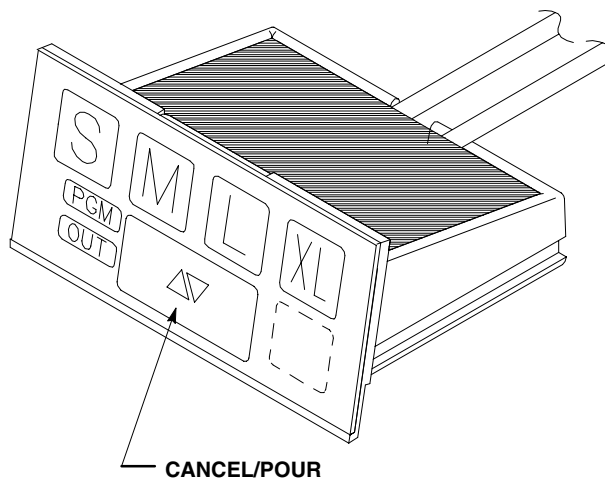


Exiting Programming Mode

1. Press and hold the hidden switch for 3 seconds. When you have exited the program mode, the timer values stored in temporary memory will be written to permanent storage and the “PGM” LED will go off.

Restoring Factory Settings

1. To restore to the factory setting, while in program mode, press and hold the cancel/pour switch. Then, at the same time, press the desired dispensing size switch. The factory programmed setting is now restored.
2. Repeat for each drink size to be restored to the factory programmed setting.



PROGRAMMING TOP-OFF DELAY TIME

Notice: Top-off delay time has been factory set at 4.0 seconds but may be field adjusted through the program mode.

You may enter the programming mode only under the following conditions:

1. The dispensing valve is not dispensing.

To Enter Programming Mode

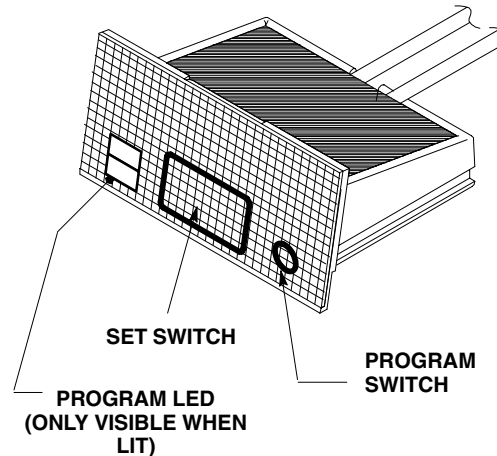
1. Press the PROGRAM SWITCH for 3-seconds until the LED (light) turns on. The valve is now ready for programming the top-off delay.

Programming Top-Off Delay Time.

Only the top-off delay is adjustable. Use top off adjustment mainly for drinks that are foamy, such as diet drinks. To adjust the top-off delay, follow these programming steps.

1. Place an appropriate size cup (with the desired amount of ice in the cup) against the valve lever causing the valve to begin dispensing. When foam or liquid touches the lever, the valve will automatically stop dispensing. This is the initial pour. The cup must remain in place with the valve lever pressed. The LED (light) will flash at this time.
2. If you want to continue programming the top-off delay time, skip step 3 and proceed to step 4.
3. If you do not want top-off delay time, remove the cup from against the valve lever. This will enter a zero value for the top-off delay time and will inhibit a top-off pour. When finished, exit program mode by pressing the PROGRAM SWITCH for 3-seconds until the LED (light) turns off.
4. When foam in the cup has lowered, press and release the SET SWITCH. The valve will begin dispensing and will stop when the foam or liquid touches the lever. This is the top-off pour. The time between the end of the initial pour and when the pour is re-started is the top-off delay and it is now programmed into the valve. The LED (light) will be on steady at this time.

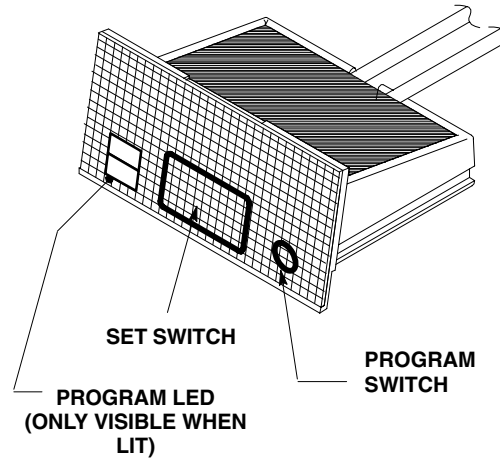
Continued on next page



OptiFill™ DISPENSING VALVE CONTROL (CON'T)

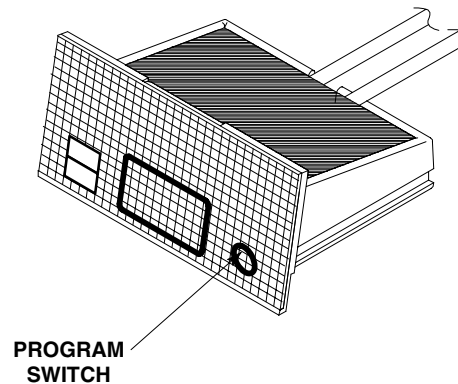
Programming Top-Off Delay Time.

5. When the valve stops pouring the second time, the cup may be removed and you may exit the program mode by pressing the PROGRAM SWITCH for 3-seconds until the LED (light) turns off. The top-off delay is now programmed into the valve.
6. When the valve stops pouring the second time, the cup can be removed and you may exit the programming mode. The top-off delay is now set.



Exiting Program Mode

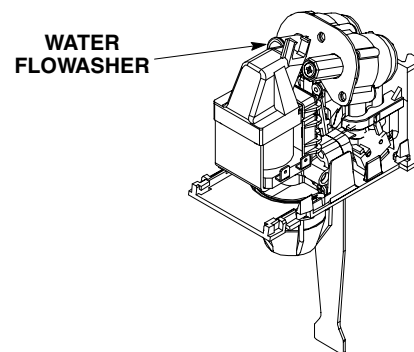
To leave the programming mode, press and hold the PROGRAM SWITCH for 3 seconds.



WATER FLOW RATE

DISPENSING VALVE WITH WATER FLOWASHER

Water flowasher is at a fixed water flow rate and is nonadjustable.



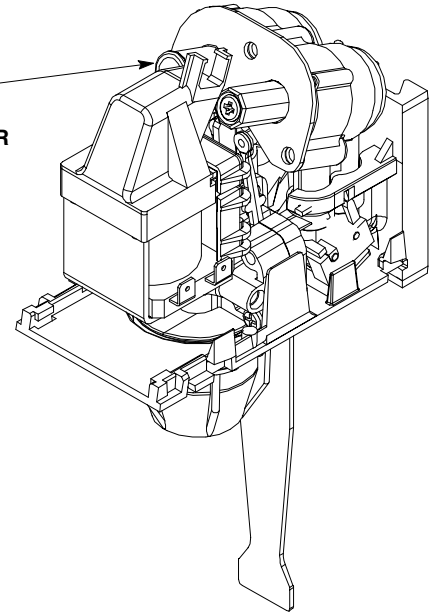
DISPENSING VALVE WITH ADJUSTABLE WATER FLOW REGULATOR

Turn the water flow regulator adjusting screw counterclockwise to decrease the water flow rate. Turn the adjusting screw clockwise to increase the water flow rate. Adjustments should be no more than 1/4 turn at a time.



Note: Adjusting screw stops are built into the valve to prevent leakage when the screws are adjusted clockwise too much. Stop adjusting clockwise when turning resistance increases. Turn the screw counterclockwise 1 1/2 turns after the stop are contacted.

WATER
FLOW
REGULATOR



ADJUST WATER-TO-SYRUP RATIO

UF-1 DISPENSING VALVE

Notice: On a dispensing valve with adjustable water flow regulator make sure water flow rate is adjusted to your requirement before adjusting the syrup to water ratio.

Adjust water-to-syrup ratio of dispensed product by using ratio cup (P/N 311100-000) and syrup diversion tube assembly (P/N 319540-000) as follows:

1. Remove cover from the dispensing valve by lifting front cover up 1/4 inch and pulling forward.
2. Install syrup diversion tube assembly on dispensing valve by pushing rubber end of syrup diversion tube onto the syrup outlet of the inner nozzle.

Notice: Refer to syrup manufacturer's recommendations on syrup package for water-to-syrup ratio.

3. Dispense enough to fill syrup diversion tube with syrup.
4. Hold large chamber of ratio cup under dispensing valve nozzle. Place free end of syrup diversion tube into syrup chamber marked for proper ratio. Dispense approximately 6 ounces of water into ratio cup. Water and syrup levels should be even in cup.

Continued on next page

ADJUST WATER-TO-SYRUP RATIO (CON'T)

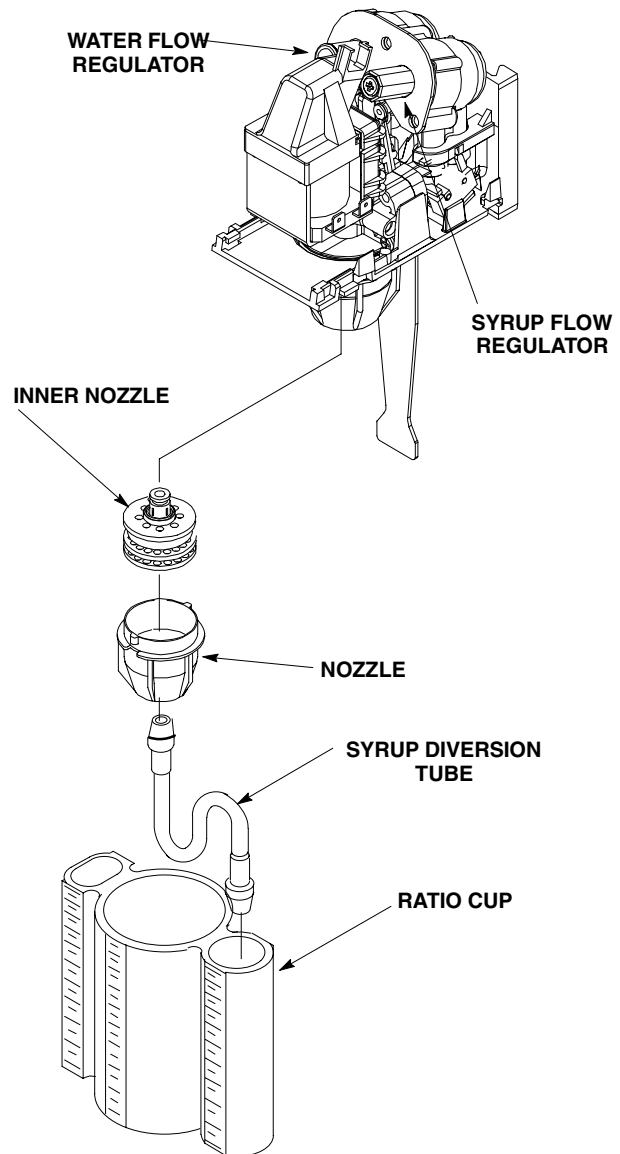
UF-1 DISPENSING VALVE (CON,T)

5. **Adjusting Syrup Flow Regulator** – If water and syrup levels are uneven in ratio-cup, adjust by turning dispensing valve syrup flow regulator adjusting screw labeled **SYRUP** as follows.
 - A. For less syrup, turn the adjusting screw counterclockwise no more than 1/4 turn at a time.
 - B. For more syrup, turn the adjusting screw clockwise no more than 1/4 turn at a time.

Note: Adjusting screw stops are built into the valve to prevent leakage when the screws are adjusted clockwise too much. Stop adjusting clockwise when turning resistance increases. Turn the screw counterclockwise 1 1/2 turns after the stop are contacted.

6. Repeat water-to-syrup ratio test and adjust syrup flow regulator as many times as necessary until proper ratio of dispensed drink is achieved.
7. Remove syrup diversion tube assembly from dispensing valve.
8. Install dispensing valve front cover.

Note: In some dispensing systems, the syrup flow rate may be the limiting factor for Ultra flow valves. In this case, the water flow rate should be adjusted down to achieve the proper ratio.



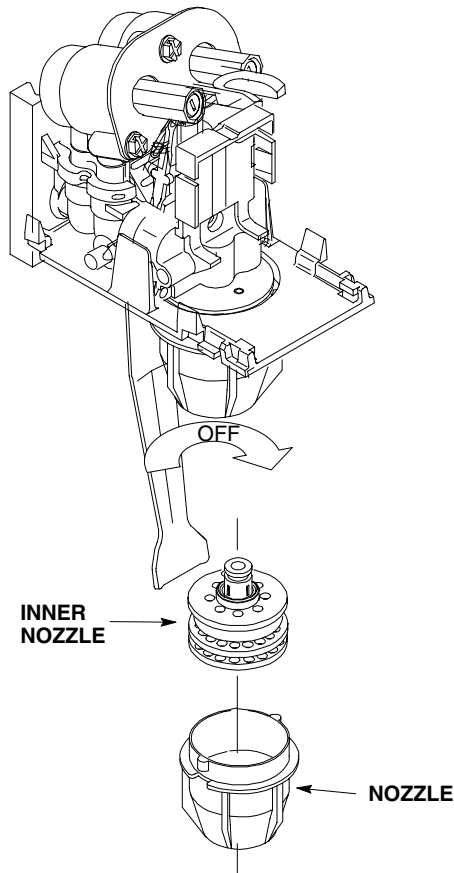

Counterclockwise
to Decrease


Clockwise
to Increase

SERVICE AND MAINTENANCE

CLEANING DISPENSING VALVE

NOTE: THE SOLENOID IS NOT SHOWN TO PROVIDE A CLEAR VIEW. IT IS NOT NECESSARY TO REMOVE THE SOLENOID.



WEEKLY NOZZLE CLEANING PROCEDURE.

This cleaning procedure must be performed each week or more often if needed to maintain cleanliness of the nozzle and inner nozzle.

1. Prepare a washing solution of 3 gallons of warm (120°F) and 1-ounce mild non-scented detergent.
2. Remove nozzle assembly (contains Inner Nozzle) from dispensing valve. Separate the inner nozzle from the nozzle and wash the two parts in the cleaning solution. It may be necessary to use a small stiff Nylon bristle brush to thoroughly clean the nozzles. Do not use a brush with metal bristles.
3. Rinse the nozzle and the inner nozzle in potable water.
 - A. Inspect the two nozzle parts to be sure that they are clean. If any residue remains, return to step 2 and clean the parts again.
4. Return the inner nozzle to the nozzle and replace the assembly to the valve.

REMOVAL AND REPLACEMENT PROCEDURES OF UF-1 VALVE

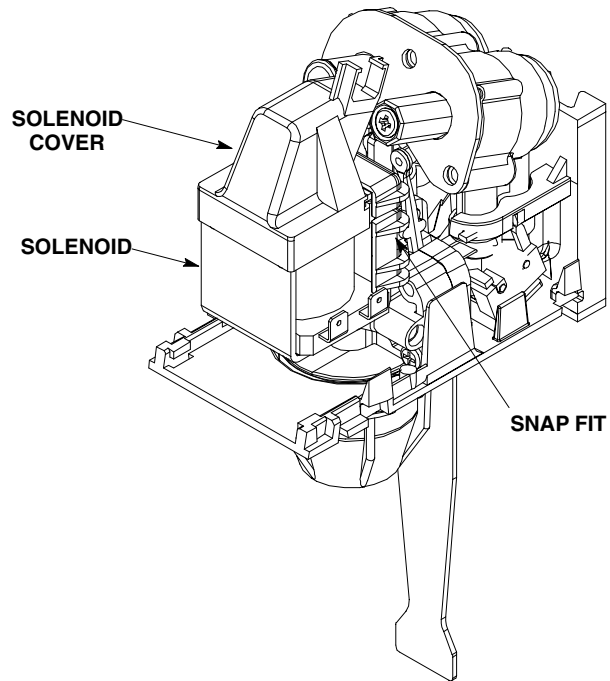
REMOVE AND REPLACE SOLENOID COIL

Removal

1. Remove dispensing valve cover from valve. Lift the front cover straight up for 1/4 inch and pull forward. Slide rear cover forward 1/4 inch and lift off.
2. Disconnect wiring from solenoid coil.
3. Remove solenoid cover by lifting up.
4. Remove solenoid coil by releasing snap fit (on both sides) with thumb, as shown.

Installation

1. Install new solenoid coil. Snap into the snap fittings.
2. Connect wires and install solenoid cover.
3. Install dispensing valve covers.



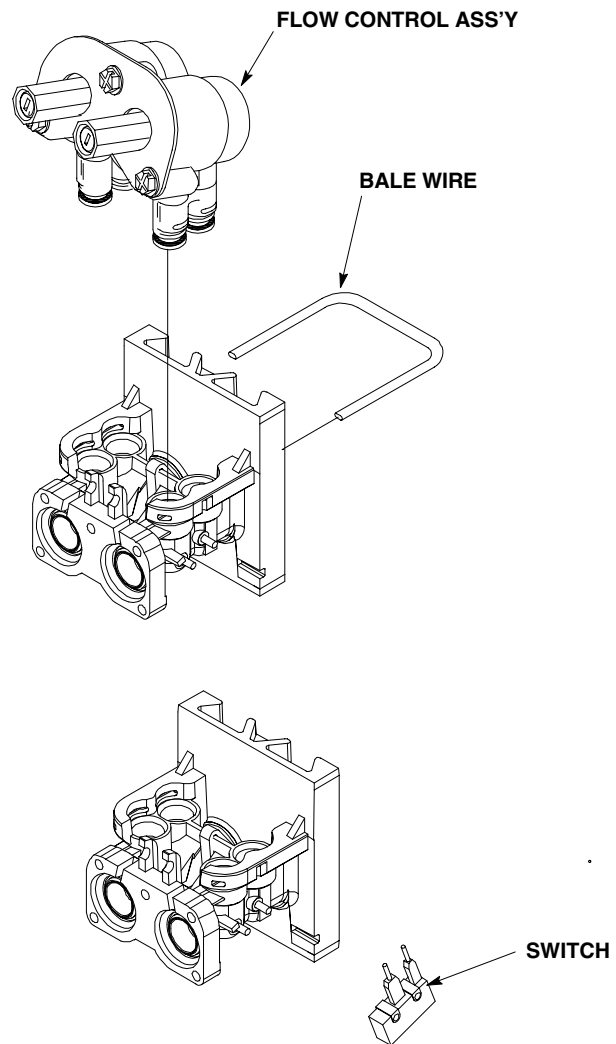
REMOVE AND REPLACE SWITCH

Removal

1. Remove dispensing valve cover. Lift front cover straight up for 1/4 inch and pull forward. Slide rear cover forward 1/4 inch and lift off.
2. Remove valve from dispenser by releasing the latch with your thumb and pressing the top dovetail. Pull valve forward.
3. Then disconnect wires from switch terminals.
4. Remove nozzle.
5. Remove Bottom Plate by releasing snap fit with thumbs, (on both sides), and pivot the Bottom Plate down.
6. Remove switch.

Installation

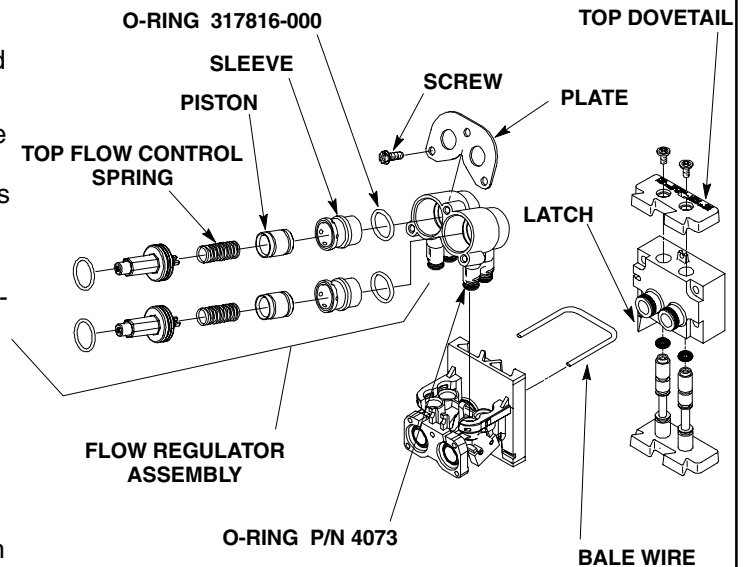
1. Install new switch by reversing removal procedure. The switch button must be down and toward the rear of the valve.
2. Install the Bottom Plate by inserting the Bottom Plate rear tabs and then pivot up to secure the snap fits.
3. Install dispensing valve cover.



REMOVE AND REPLACE SYRUP OR WATER FLOW REGULATOR

Removal

1. Remove dispensing valve cover. Lift front cover straight up for 1/4 inch and pull forward. Slide rear cover forward 1/4 inch and lift off.
2. Remove the valve by pressing down on the top dovetail on the mounting block. This shuts off syrup and water flow and releases the valve. Pull valve away from the block.
3. Remove the bail wire that locks the flow regulator assembly into the valve body. Remove the flow regulator assembly.
4. Remove three screws securing the plate, then remove the plate.
5. Remove the flow control tops.
6. Pull top flow control spring and piston up out of flow regulator cylinder, or tip module over collecting spring, piston, and sleeve in your hand.
7. The sleeve normally need not be removed from body. If you need to remove the sleeve, pull sleeve up out of the body, **ALWAYS INSTALL NEW O-RING P/N 317816-000 ON SLEEVE BEFORE INSTALLING SLEEVE IN BODY.**



Notice: Complete Flow Control module can also be replaced as an assembly. High Flow Regulator Assembly P/N 1954, 2 to 4 oz./sec. regulator assembly P/N 560006408, 1 1/2 oz. Standard Flow Washer Water Syrup Regulator Assembly P/N 1957, and 3 oz. Flow Washer Water Syrup Regulator Assembly P/N 1958.

Installation

1. Install top flow control, spring, and piston in sleeve.
2. Secure water flow or syrup flow regulators in the regulator assembly body with plate and tighten the three screws.
3. Install Flow Control module and the bale wire ("U" shaped wire). Route switch wires around rear leg of flow control.
4. Install dispensing valve on the mounting block. Press the bottom of dovetail latch upward until it is tight and is snapped into place. This will turn on the product flow.

Notice: New O-Rings (4) P/N 4073 must be installed on the flow control assembly before its installation in the dispensing valve body.

5. Place the harness connector in the holder provided. Then install valve cover.

6. Was Water Flow Regulator Removed?

If water flow regulator was removed from dispensing valve, water flow rate must be checked and, if necessary, the regulator must be adjusted as instructed.

7. Was Syrup Flow Regulator Removed?

If syrup flow regulator was removed, check dispensing valve for water-to-syrup ratio of dispensed product and, if necessary, adjust as instructed.

8. Install dispensing valve cover and secure.

REMOVE AND REPLACE WATER FLOWASHER ASSEMBLY

Removal

1. Remove dispensing valve cover. Lift front cover straight up for 1/4 inch and pull forward. Slide rear cover forward 1/4 inch and lift off.
2. Release the latch with your thumb. Depress the top valve dovetail on the mounting block. This shuts off the product and water flow, and releases the valve. Pull valve away from the block.
3. Remove three screws securing plate that secure water flowasher assembly into the dispensing valve body, then remove the plate.
4. Pull water flowasher assembly up out of dispensing valve body.
5. Remove water flowasher retainer from bottom of housing, water flowasher then remove flowasher from housing.

Installation.

1. Install flowasher in bottom of housing, water flowasher and secure with retainer. Flowasher must be installed in water flowasher housing with concave surface of flowasher facing away from its retainer. Flowasher marking up (visible) when in pocket.

Notice: Always install a new O-ring, P/N 317816-000 on the flowasher assembly before installing it into the flow control housing.

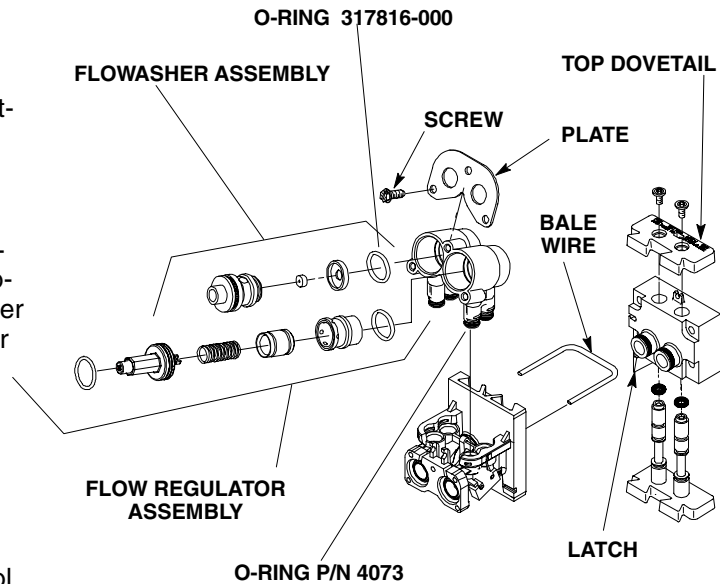
2. Replace flowasher assembly in flow control housing. Replace plate. Tighten the three screws that fastens the plate.
3. Install flow control assembly in dispensing valve body. Install the bale wire. Route switch wires around rear leg of Flow Control.

Notice: New O-Rings (4) P/N 4073 must be installed on the flow control assembly before its installation in the dispensing valve body.

4. Install dispensing valve on unit by inserting valve on block fittings and pushing in until tight. Then push up on bottom dovetail until the latch has snapped into place.

Notice: Always make sure bale wire holding Flow Control module is in place before installing valve on block.

5. Connect dispensing valve electrical wiring harness connector to unit wiring harness connector, and place connector in holder.
6. Install dispensing valve cover.



REMOVE AND REPLACE INLET BANJO VALVE

Removal

1. Remove dispensing valve covers. Lift front cover straight up for 1/4 inch and pull forward. Slide rear cover forward 1/4 inch and lift off.
2. Disconnect dispensing valve wiring harness connector from unit wiring harness connector.
3. Remove valve from dispenser by releasing the latch, then depressing the top valve dovetail, and pulling valve forward.
4. Remove solenoid cover by lifting up.
5. Remove solenoid wires from solenoid. Remove solenoid by releasing snap fit with thumbs and pulling forward.
6. Remove nozzle and bottom plate.
7. Lay valve on its back with five screws facing you.
8. Remove five screws and remove valve head, being careful not to lose the return springs from Banjo.
9. Remove Banjo from valve body.

Notice: Banjo now may be installed either direction since it now has a double-sided seat. You can turn Banjo over and actually use it as a spare part.

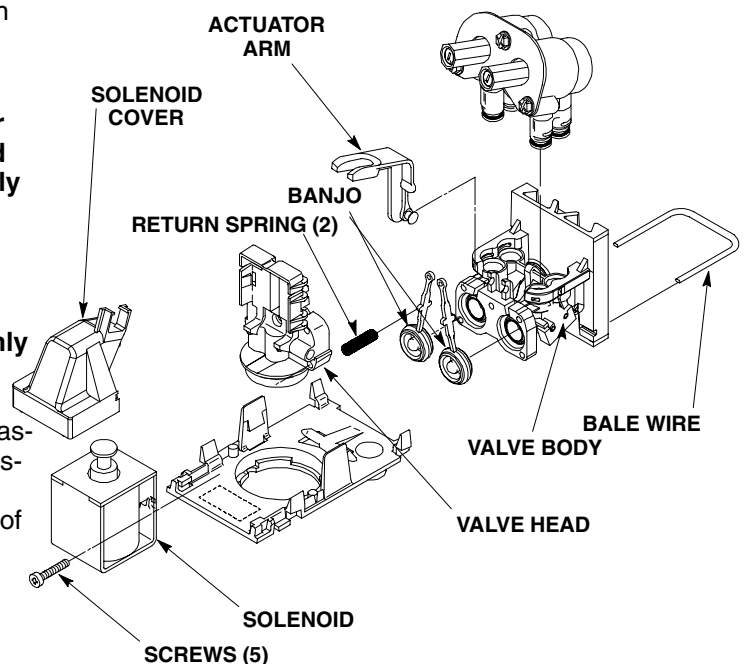
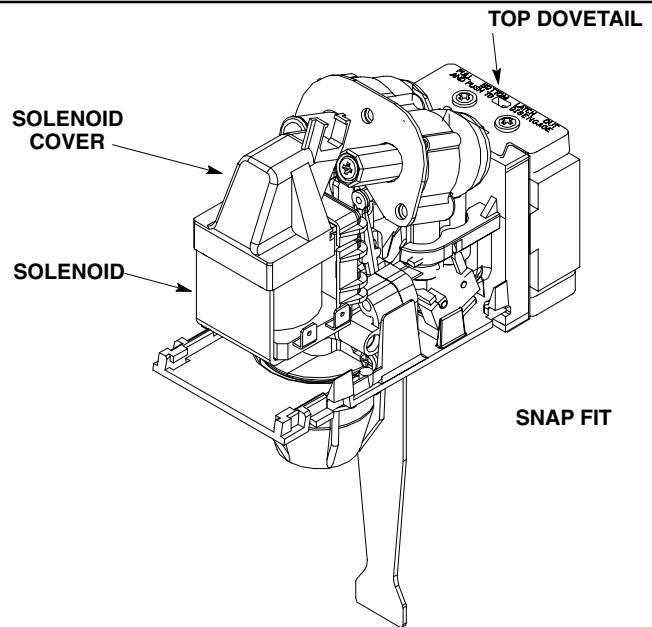
Installation

Notice: Always wet the Banjo with water before installing. Clean all parts thoroughly before assembly.

1. Install the Banjo, and actuator arm and assemble dispensing valve by reversing disassembly procedure. Tighten the five screws evenly to ensure proper sealing of the Banjo.
2. Install the return springs.

Notice: Always make sure bale wire (U shaped wire) is in place before installing valve on block.

3. Install dispensing valve on unit by inserting valve on block fitting and pushing in until tight. Then push up on the bottom dovetail plate until the latch has snapped into place.
4. Connect dispensing valve wiring harness connector to unit wiring harness connector.
5. Install dispensing valve cover.



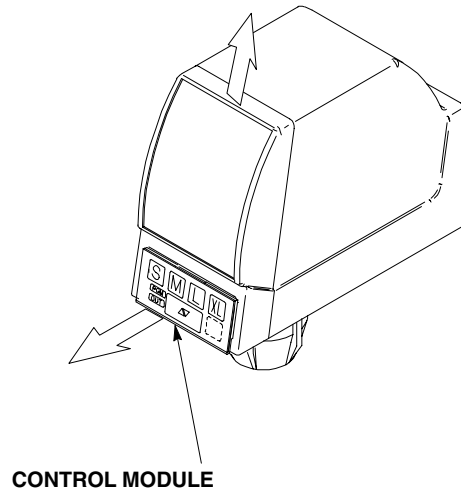
REMOVE AND REPLACE CONTROL MODULES

Removal.

1. Remove dispensing valve covers from valve.
2. Tag electrical wires for identification. Then disconnect Control module wires from solenoid coil and unit wiring harness connector. See electrical diagram, Figure 1, 2, 3, 4.
3. Slide or pull (drawer action) Control module from dispensing valve.

Installation.

1. Install Control module by reversing removal procedure.
2. Adjust Portion Control module for size of drinks dispensed as instructed.
3. Install dispensing valve cover.



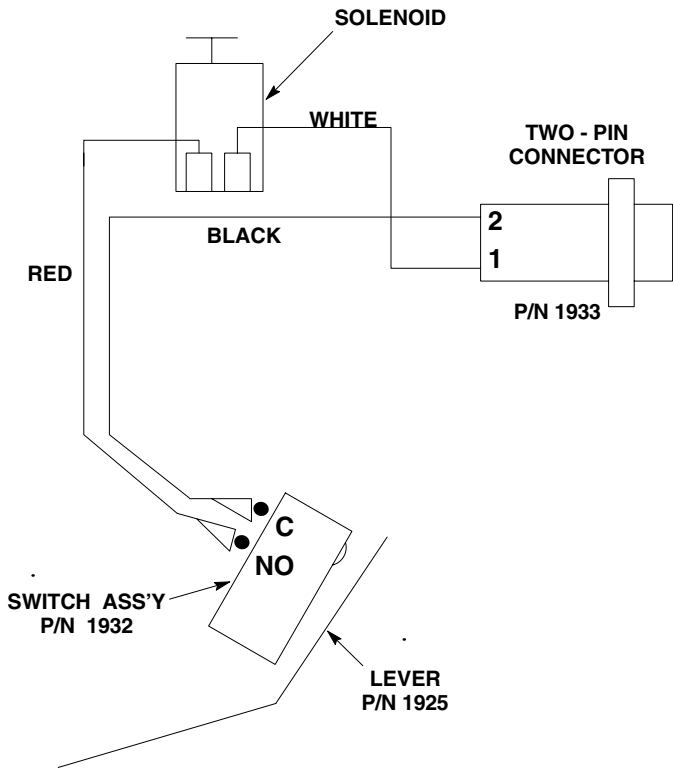


Figure 1. Wiring Diagram (UF-1 Dispensing Valve)

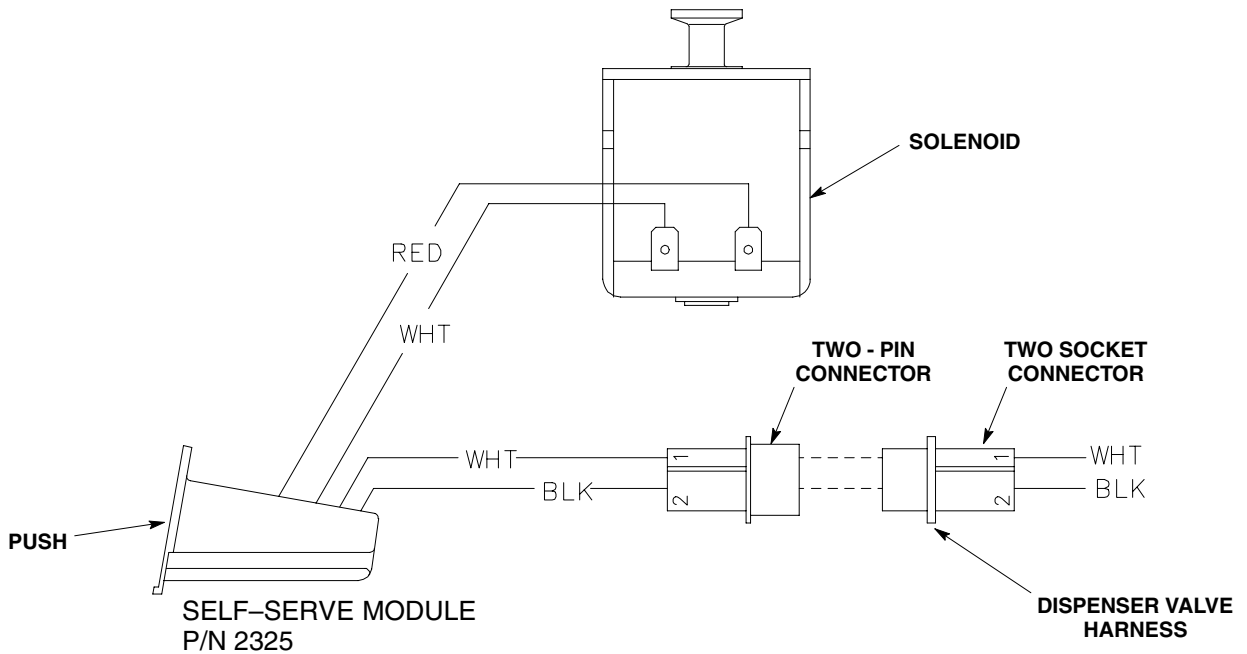


Figure 2. Wiring Diagram (UF-1 Self-Serve Dispensing Valve)

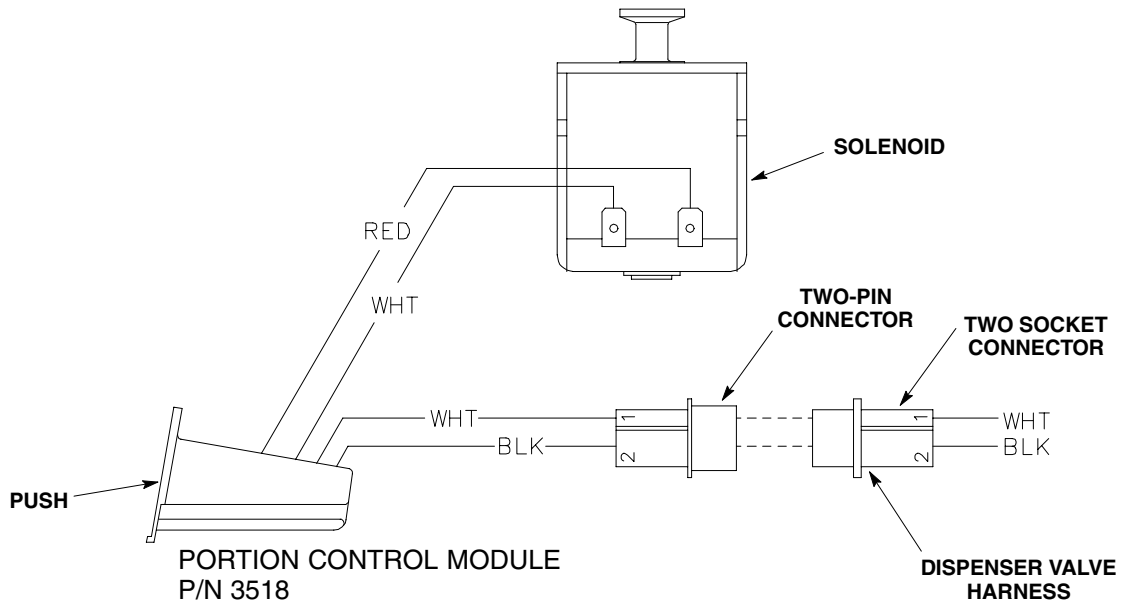


Figure 3. Wiring Diagram (UF-1 Dispensing Valve with Portion Control)

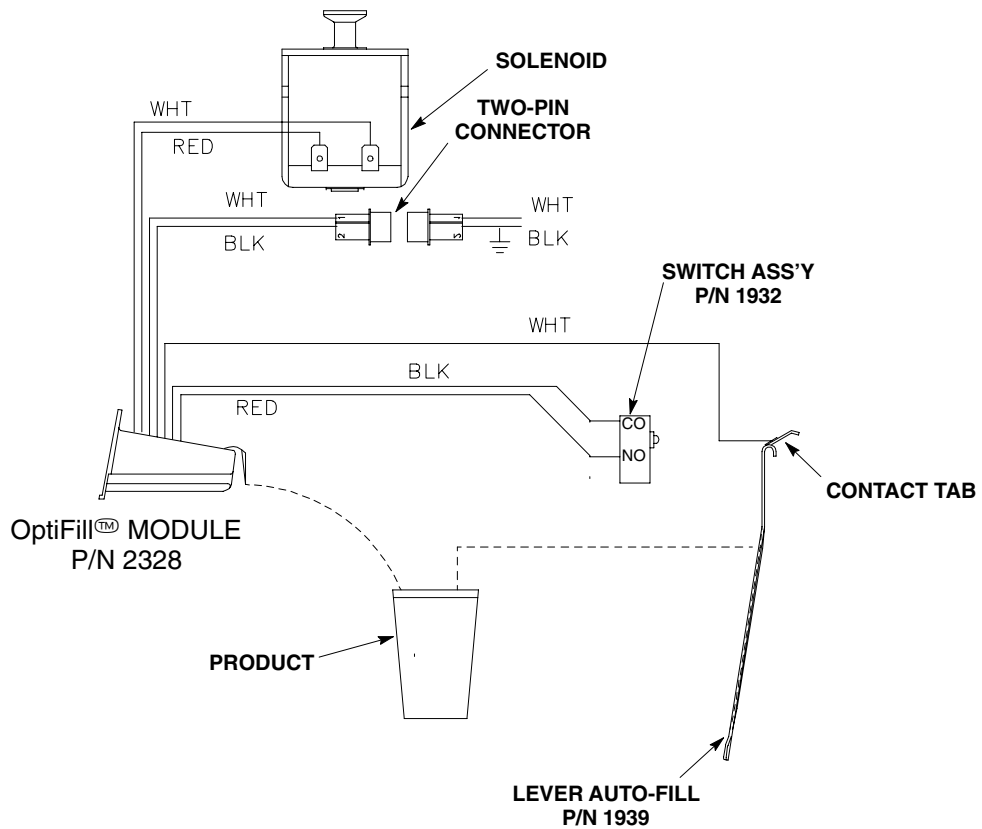


Figure 4. Wiring Diagram (UF-1 OptiFill™ Dispensing Valve)

TROUBLESHOOTING

IMPORTANT: Only qualified personnel should service internal components or electrical wiring.



WARNING: If repairs are to be made to carbonated water system, disconnect electrical power to Cooling Unit, shut off plain water and CO₂ supplies, and relieve the carbonated water system pressure before proceeding. If repairs are to be made to syrup system, remove quick disconnects from applicable syrup tank, then relieve the system pressure before proceeding. If repairs are to be made to CO₂ system, stop dispensing, shut off CO₂ supply, then relieve the system pressure before proceeding.

If repairs are to be made to an existing Rooftop Condensing unit, disconnect the power to the condensing unit before proceeding

Trouble	Probable Cause	Remedy
WATER-TO-SYRUP RATIO TOO LOW OR TOO HIGH	A. Dispensing valve syrup flow regulator not properly adjusted.	A. Adjust water-to-syrup ratio as instructed.
	B. CO ₂ gas pressure to syrup tanks insufficient to push syrup out of tanks, or to pump the syrup.	B. Adjust the secondary CO ₂ regulator supplying the syrup tanks.
ADJUSTMENT OF DISPENSING VALVE SYRUP FLOW REGULATOR DOES NOT INCREASE TO DESIRED WATER-TO-SYRUP RATIO.	A. Dispensing valve syrup flow regulator, syrup tank quick disconnect, or syrup line restricted.	A. Sanitize syrup system.
	B. No syrup supply.	B. Replenish syrup supply.
	C. Syrup quick disconnect not securely connected.	C. Securely connect quick disconnect.
	D. Syrup CO ₂ regulator out of adjustment.	D. Adjust syrup CO ₂ regulator.
	E. Improper syrup baume.	E. Replace syrup supply.
	F. Dirty or inoperative piston or spring in dispensing valve adjustable syrup flow regulator.	F. Disassemble and clean dispensing valve syrup flow regulator.
	G. Syrup pump insufficient capacity.	G. Replace syrup pump.
ADJUSTMENT OF DISPENSING VALVE SYRUP FLOW REGULATOR DOES NOT DECREASE TO DESIRED WATER-TO-SYRUP RATIO	A. Dirty or inoperative piston or spring in dispensing valve adjustable syrup flow regulator.	A. Disassemble and clean dispensing valve syrup flow regulator.
NO PRODUCT DISPENSED FROM ALL DISPENSING VALVES.	A. No electrical power to dispenser.	A. Connect electrical power to dispenser.
	B. Disconnected or broken wiring to dispensing valves.	B. Connect or replace wiring.
	C. Inoperative 24VAC transformer.	C. Replace transformer.

Trouble	Probable Cause	Remedy
NO PRODUCT DISPENSED FROM ONE DISPENSING VALVE.	A. Broken or disconnected wiring.	A. Repair or connect wiring.
	B. Inoperative dispensing valve solenoid coil.	B. Replace solenoid coil as instructed.
	C. Inoperative dispensing valve micro switch.	C. Replace micro switch as instructed.
NO PRODUCT DISPENSED BUT OTHER VALVES ARE DISPENSING, AND “ OUT” DISPLAY IS VISIBLE.	A. Low-Voltage condition exists.	A. Check secondary voltage. Must be 24 VAC±10%.
		B. Replace transformer with a larger capacity transformer to accomate multi valve dispensing (More than 3 valves).
ONLY CARBONATED WATER DISPENSED.	A. Syrup quick disconnects not secure.	A. Secure the syrup quick disconnects.
	B. Out of syrup.	B. Replenish syrup supply as instructed.
	C. Syrup CO ₂ regulator not properly adjusted.	C. Adjust syrup CO ₂ regulator.
	D. Inoperable dispensing valve.	D. Repair dispensing valve.
	E. Dispensing valve adjustable syrup flow regulator not properly adjusted.	E. Adjust water-to-syrup ratio as instructed.
	F. Dispensing valve adjustable syrup flow regulator, syrup tank quick disconnect, or syrup lines restricted.	F. Sanitize syrup system.
	G. Syrup pump not working.	G. Repair or replace the syrup pump.
ONLY SYRUP DISPENSED.	A. No carbonated water supply.	A. Restore carbonated water supply.
	B. Dispensing valve adjustable water flow regulator not properly adjusted.	B. Adjust dispensing valve water flow rate as instructed.
VALVE SOLENOID OPERATES BUT NO PRODUCT IS DISPENSED.	A. Valve not properly engaged on mounting block.	A. Correctly install valve on the mounting block.
VALVE SLOW TO SHUT-OFF	A. Dirty plunger or actuator arm.	A. Clean all valve parts, especially the solenoid plunger and actuator arm.
OPTIFILL™ DISPENSING VALVE WILL NOT SHUT OFF WHEN PRODUCT TOUCHES LEVER.	A. Broken or missing ground connection.	A. Repair or add wire to connect valve dispenser wiring harness common (pin 2) to chassis (see Installation Instructios P/N 3776).

THIS PAGE LEFT BLANK INTENTIONALLY

CORNELIUS INC.

