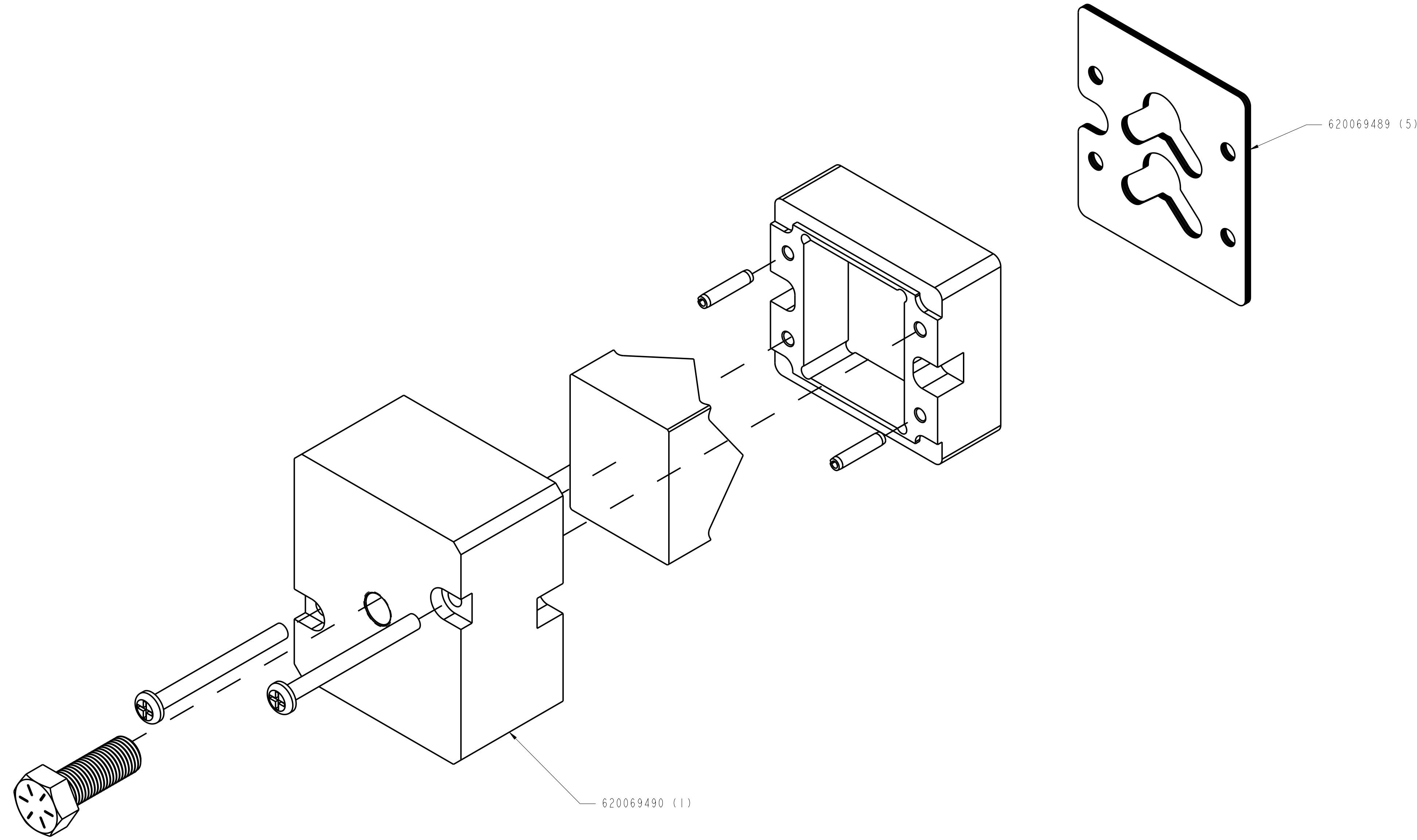


KBM BOM'S OVERRIDE
DRAWING BOM'S CONFLICTS

PART NUMBER	DESCRIPTION	QTY
620069489	KNOCKOUT TEMPLATE	5
620069490	KNOCKOUT KIT	1



REV	DESCRIPTION	PCN	REV BY	CHECK BY	APPD BY	APPD DATE
A	PRODUCTION RELEASE	51364	SA	DC	SM	27AUG18
I	INITIAL RELEASE	PRECN 51410	DC	SA	SM	22AUG18

IMPORTANT!
THIS PART MUST MEET THE
LATEST RoHS DIRECTIVE

CRITICAL INSPECTION DIM.
(REFERENCE DIM.)
NOT TO SCALE DIM.

NOTICE
THIS DATA IS THE PROPERTY OF
CORNELIUS AND CAN NOT BE
COPIED, REPRODUCED OR OTHERWISE
DISPOSED OF OR USED FOR MAKING
OR PRODUCING OF PARTS THERE OF
EXCEPT UPON WRITTEN CONSENT OF
CORNELIUS. AND ALL DATA
IS TO BE CONSIDERED CONFIDENTIAL.
DO NOT SCALE DRAWING

CREO DRAWING
THIRD ANGLE PROJECTION

DIMENSIONS ARE IN INCHES. TOLERANCE UNLESS OTHERWISE SPECIFIED.	
DECIMALS	
1 PLACE: .X	±0.1
2 PLACE: .XX	±0.03
3 PLACE: .XXX	±0.015
DIAMETERS: ±.003	
ANGLES: ±0.5	
ASME Y14.5M 1994 STANDARD	
DO NOT SCALE DRAWING	
EDGES	.005-.015R
	0.13-0.38R
FILLET	.005-.020R
	0.13-0.50R

MATL	SEE BOM
DESC	
FINISH	
DRAWN BY / DRAWN DATE	
Aravinda, Sandesh (Sandesh.Aravinda@cornelius.com) 27-Aug-18 04:20:06 PM	

SCALE 1.500		SHEET 1 OF 1	DWG SIZE D	DWG NO. 629097803	REV A
KIT PRISM KNOCKOUT					

