



OptiFill Lever Valve



Sanitary Lever Valve



Push Button Valve

FEATURES

Increase your brand density and consumer selection in the same or smaller equipment footprint!

Unique - Valve technology dispensing 3 brands+1 water

Market - Reach more consumers and daily occasion opportunities

Consistent - Drink quality and performance

Adaptable - Available as retrofit kit or part of new equipment and runs on unit's existing electronics

Ease of Installation - Installed in less than 1 hour

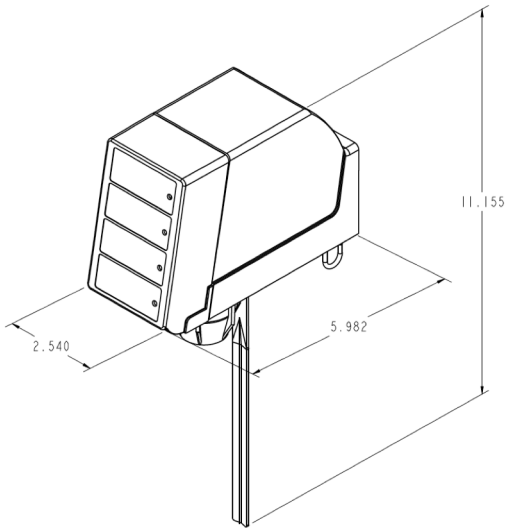
Reliable - Capacitive touch panel with durable and reliable market performance

Serviceability - Uses existing Cornelius parts, facilitate service network management

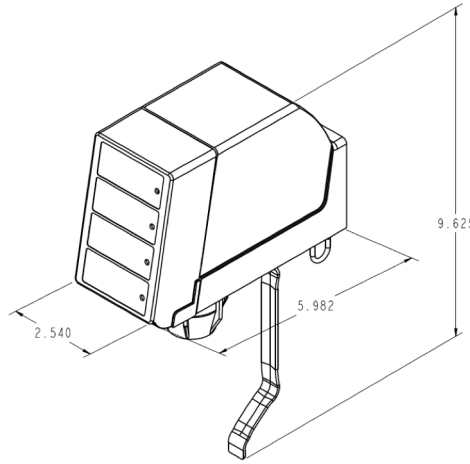
Durability - Durable valve design and body

Ease of Use and Maintain - Front access to all controls

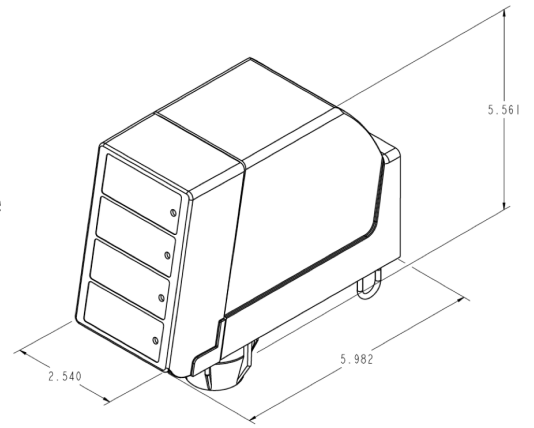
OptiFill Lever Valve



Sanitary Lever Valve



Push Button Valve



Note: All Dimensions are in Inches

PART NUMBER	DESCRIPTION
620069302	PRISM, Sanitary Lever with Backblock and Black Cover
620070464	PRISM, Sanitary Lever with Cover without Backblock
620069304	PRISM, Push Button Activation with Backblock and Black Cover
620070465	PRISM, Push Button Activation with Cover and without Backblock
620069308	PRISM, Optifill Lever with Backblock and Black Cover
620070466	PRISM, Optifill Lever with Cover without Backblock
629097803	PRISM, Knockout Kit (w/ 5 adapter plates)
620069489	Knockout Adapter Plate
620070512	Knockout Punch Tool
629097802	PRISM, Installation Kit
620056417	PRISM, Mounting Block
620070508	PRISM, Coke Decal
620070509	PRISM, Pepsi Decal
620070510	PRISM, Generic Decal

TECHNICAL SPECIFICATIONS

FLOW RATE 1.5 - 3 oz/sec (45-90 mL)

OPERATIONAL RELATIVE

HUMIDITY RANGE 20-100%

OPERATIONAL

TEMPERATURE RANGE 32°-140°F
(0°-60°C)

ELECTRICAL REQUIREMENTS . . 24 V / 50 Hz 60 Hz

SHIPPING WEIGHT 33 lbs. (16-valve carton)

GRAPHIC SIZE Front: 0.825"H x 1.93W"
(4 locations)
Back: 1.22"H x 1.97"(top)
x 2"(bottom)

AGENCY LISTINGS

