



---

# FROZEN MULTI FLAVOR VALVE

## Illustrated Parts List



**Release Date: Sep 21, 2018**

**Publication Number: 919000012IPL**

**Revision Date: Feb 27, 2019**

**Revision: C**

Visit the Cornelius web site at [www.cornelius.com](http://www.cornelius.com) for all your Literature needs.

---

The products, technical information, and instructions contained in this manual are subject to change without notice. These instructions are not intended to cover all details or variations of the equipment, nor to provide for every possible contingency in the installation, operation or maintenance of this equipment. This manual assumes that the person(s) working on the equipment have been trained and are skilled in working with electrical, plumbing, pneumatic, and mechanical equipment. It is assumed that appropriate safety precautions are taken and that all local safety and construction requirements are being met, in addition to the information contained in this manual.

This Product is warranted only as provided in Cornelius' Commercial Warranty applicable to this Product and is subject to all of the restrictions and limitations contained in the Commercial Warranty.

Cornelius will not be responsible for any repair, replacement or other service required by or loss or damage resulting from any of the following occurrences, including but not limited to, (1) other than normal and proper use and normal service conditions with respect to the Product, (2) improper voltage, (3) inadequate wiring, (4) abuse, (5) accident, (6) alteration, (7) misuse, (8) neglect, (9) unauthorized repair or the failure to utilize suitably qualified and trained persons to perform service and/or repair of the Product, (10) improper cleaning, (11) failure to follow installation, operating, cleaning or maintenance instructions, (12) use of "non-authorized" parts (i.e., parts that are not 100% compatible with the Product) which use voids the entire warranty, (13) Product parts in contact with water or the product dispensed which are adversely impacted by changes in liquid scale or chemical composition.

### **Contact Information:**

To inquire about current revisions of this and other documentation or for assistance with any Cornelius product contact:

**www.cornelius.com**  
**080-6663-6700**

### **Trademarks and Copyrights:**

This document contains proprietary information and it may not be reproduced in any way without permission from Cornelius.

This document contains the original instructions for the unit described.

Marmon Food & Beverage Technologies India Pvt. Ltd.

Plot #: 49 A & 49 B, 3rd Phase,

Peenya Industrial Area,

Bangalore 560058, India

### **Correct Disposal of this Product**

This marking indicates that this product should not be disposed with other household wastes throughout the EU. To prevent possible harm to the environment or human health from uncontrolled waste disposal, recycle it responsibly to promote the sustainable reuse of material resources. To return your used device, please use the return and collection systems or contact the retailer where the product was purchased. They can take this product for environmental safe recycling

# TOP LEVEL ASSEMBLY

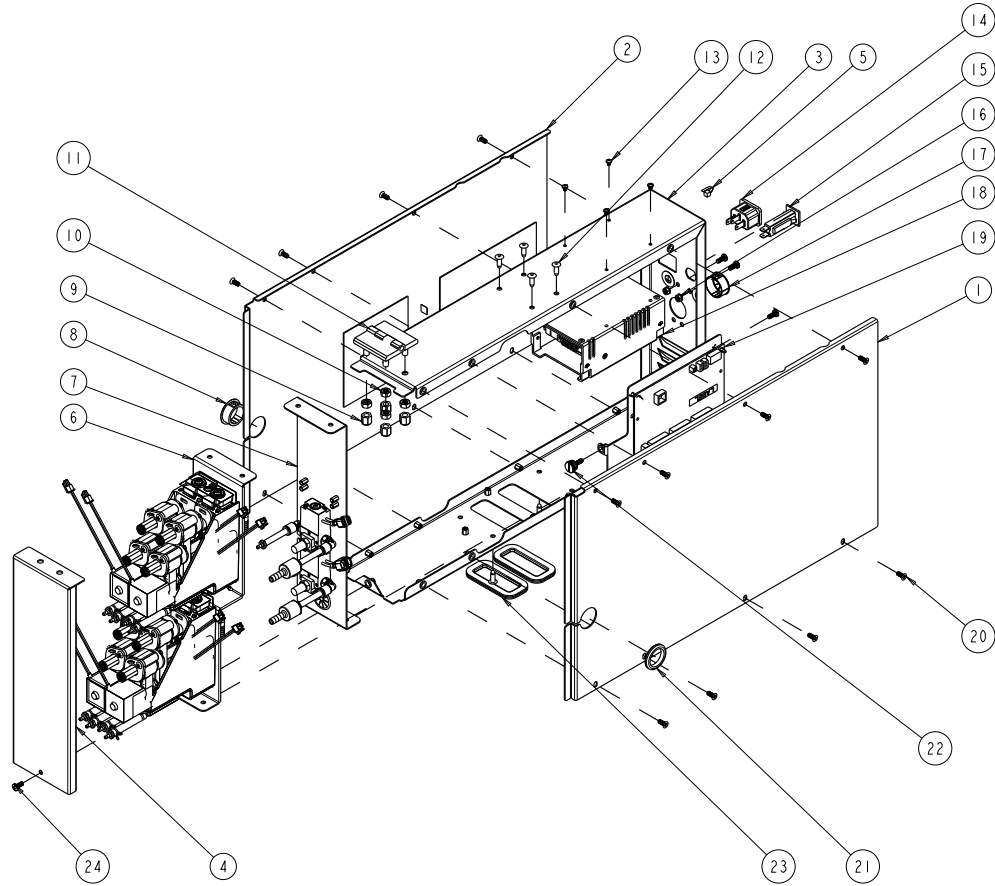


Figure 1.

Table 1. Top Level Assembly

Item	Part No.	Description
1	910001935	SIDE PANEL
2	910001936	SIDE PANEL RIGHT
3	910001928	C-BRACKET
4	910001937	FRONT COVER
5	910000560	CABLE TIE, 4 IN
6	910002013	MFV BRACKET ASSEMBLY
7	910002008	SOLENOID BRACKET ASSEMBLY
8	620066747	PLUG CAP 1"
9	910002266	DUMMY CAP
10	910002079	M6 NUT
11	910001702	HINGE - DHIF 50S
12	60061097	RIVET .188X .375X.438
13	910002389	M3 X 4 PAN SCREW
14	910000273	RECEPTICLE PUSH IN

Table 1. Top Level Assembly

15	620058545-001	BREAKER 4A CIRCUIT BREAK
16	910000571	GROUNDING NUT
17	620200047	BUSHING SNAP 1"
18	620057649-001	PWR SUPPLY 90-256 VAC
19	910002085	PCB ASSEMBLY
20	910002020	COUNTER SUNK SCREW M4X10
21	910002374	1" GROMMET
22	910002078	THUMB SCREW
23	910002268	GASKET
24	910000120	M4 X 10 PAN HEAD SCREW
25	910001942	DISPLAY CABLE (NOT SHOWN)
26	910001704	ROUTING MAGNET(NOT SHOWN)
27	910002261	MAGNET RING(NOT SHOWN)
28	910001706	HOSE TUBE 1/8(NOT SHOWN)

# SOLENOID BRACKET ASSEMBLY

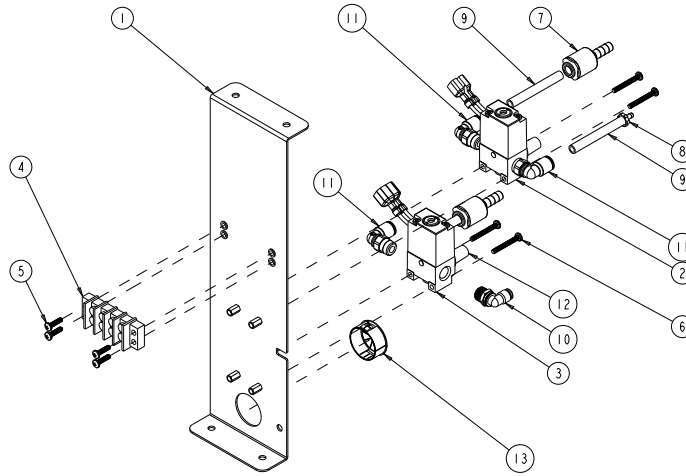


Figure 2.

Table 2.Solenoid Assembly

Item	Part No.	Description
1	910001931	SOLENOID VALVE BRACKET
2	910001972-1	SOLENOID FEMALE CONNECTOR
3	910001972-2	SOLENOID MALE CONNECTOR
4	910001961	TE TERMINAL BLOCK
5	910000312	M3 X 12 MM PAN SCREW
6	910002012	SCREW M3 X 25MM PAN HEAD
7	620066746	PUSH TO CONNECT
8	910002229	REDUCER
9	910001705	HOSE TUBING 1/4" OD - CUT LENTGHT 50MM
10	620065586	FITTING AIR OUT
11	620065587	FITTING AIR IN
12	620718953	MUFFLER
13	620200047	BUSHING SNAP 1"

# MULTI FLAVOR VALVE BRACKET ASSEMBLY

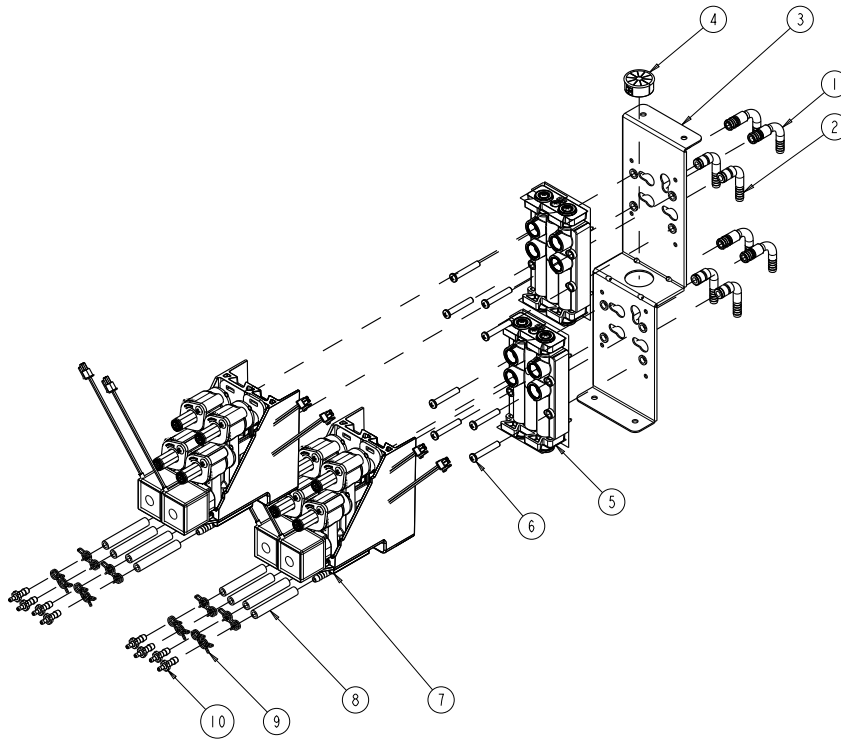


Figure 3.

Table 3. Multi Flavor Valve Assembly

Item	Part No.	Description
1	620709068	FITTING L-MIX 1/4 BRB X1/4SS
2	771000306	FITTING-L3/8 DOLE X 1/4 BRB SS
3	910001932	BRACKET C-BOX VALVE MOUNTING
4	620200047	BUSHING SNAP 1"
5	620056832	BACK BLOCK ASSY, 2X2 , MFV
6	910000798	M5X30MM SCREW PAN HEAD
7	620058272-001	VALVE ASSEMBLY 2 X 2 FLVOR MFV
8	620708932	TUBGTYGON5/16ODX3/16IDCLEAR
9	LBJ0602141	CLAMP SPRING 19/64 IN
10	910002229	REDUCER

# VALVE ASSEMBLY

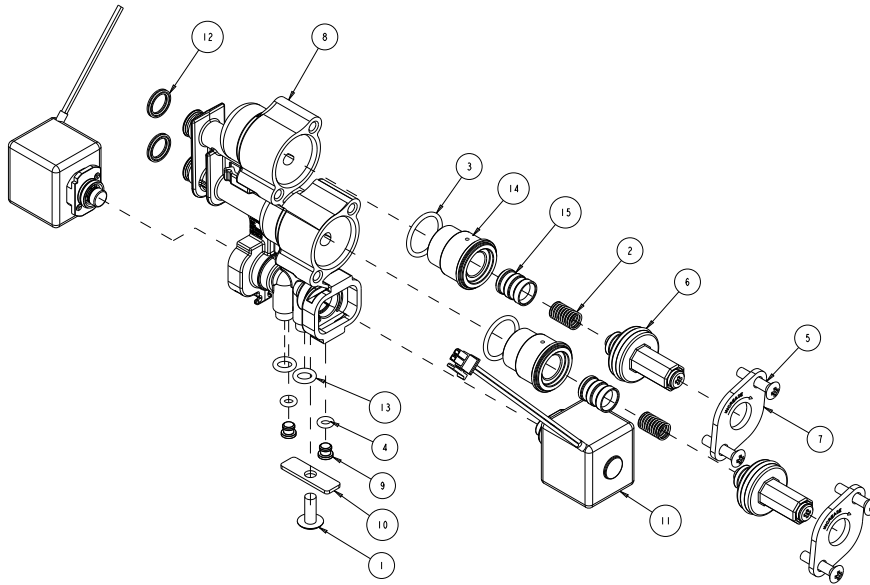


Figure 4.

Table 4. Valve Assembly

Item	Part No.	Description
1	24232001	SCREW SM 10 TB TRPH 16 SS
2	48258005	SPRING SYRUP SLJ
3	317816000	O RING 676ID 070CS 70DU E16
4	321544000	O-RING 145ID 070CS 65D
5	560001108	SCREW TT 08-16 OVPH 26 SSPA
6	560007207-2	SCW ADJ FLOW ASSY O-RING
7	620046317	RETAINER FLOW-CNTL BODY GRAPPA
8	620056885	VALVE BODY, MFV
9	620056965	BOTTOM PLUG, VALVE BODY, MFV
10	620056966	PLATE, VALVE BODY, MFV
11	620058280-01	SOLENOID ASY 24V GRAPPA - MFV SYRUP
12	620059773	QUAD-RING 364ID 070CS 70DU 559PE
13	740001852	O-RING 239ID 077CS 70DU E16
14	740002075	CYLINDER, FLOW CONTROL, 30:1 SYRUP, UF FAMILY, CERAMIC
15	740002076	PISTON, FLOW CONTROL, 30:1 SYRUP, UF FAMILY, CERAMIC

## PCB ASSEMBLY

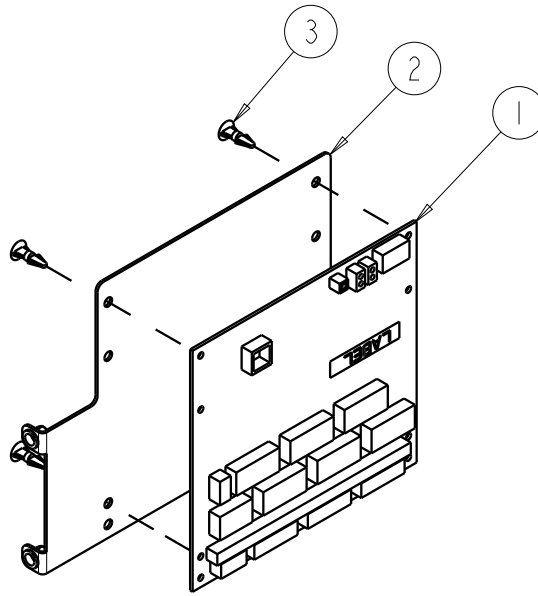


Figure 5.

Table 5.PCB Assembly

Item	Part No.	Description
1	620057808-900	BOARD ASSY MFV 10B/4F/4W NOZZLE
2	910001934	PANEL FMFV E-BOX
3	910002367	STAND OFF

# VALVE ASSEMBLY

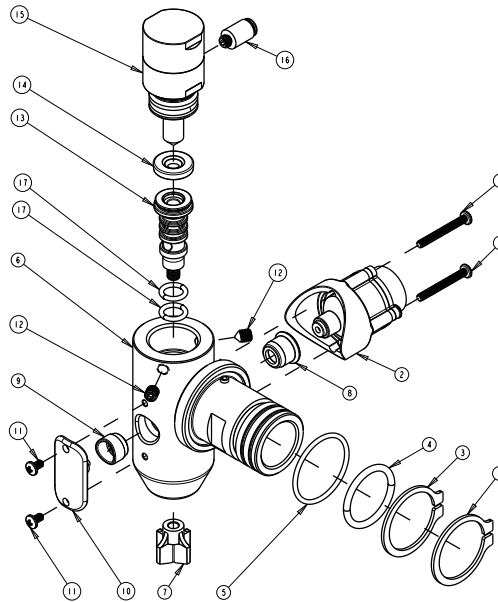


Figure 6.

Table 6.: Valve Assembly

Item	Part No.	Description
1	620065957	SCREW 4-40 X1"
2	910002059	INJECTOR MODULE ASSEMBLY
3	620047188	RING RETAINING
4	321653000	O-RING 862ID 103CS 70DUE
5	150065000	O-RING
6	910002058	SYRUP VALVE ASSEMBLY
7	620066732	DIFFUSER FIN
8	910001959	INJECTOR CAP
9	910001958	SIDE COVER CAP
10	620066731	PLUG EMPTY INJECTOR HOLDER
11	910002383	4-20 X .375 THREAD FORMING SCREW
12	910002081	GRUB SCREW
13	910002366	CAP SEAL DIFFUSER ASSEMBLY
14	910002276	CAP SEAL
15	910002057	AIR VALVE ASSEMBLY
16	620065956	FITTING-PUSH O CONNECT AIR LINE
17	150058000	O RING 301ID 070CS 70 DUEY-P
18	910002077	SHEATHING (NOT SHOWN)
19	910001706	PNEUMATIC HOSE 1/8 OD (NOT SHOWN)
20	910001700-001	FLAVOUR HOSE (NOT SHOWN) - CUT LENGTH 450MM
21	910001700-002	FLAVOUR PURGE HOSE (NOT SHOWN) - CUT LENGTH 250 MM



## Air VALVE ASSEMBLY

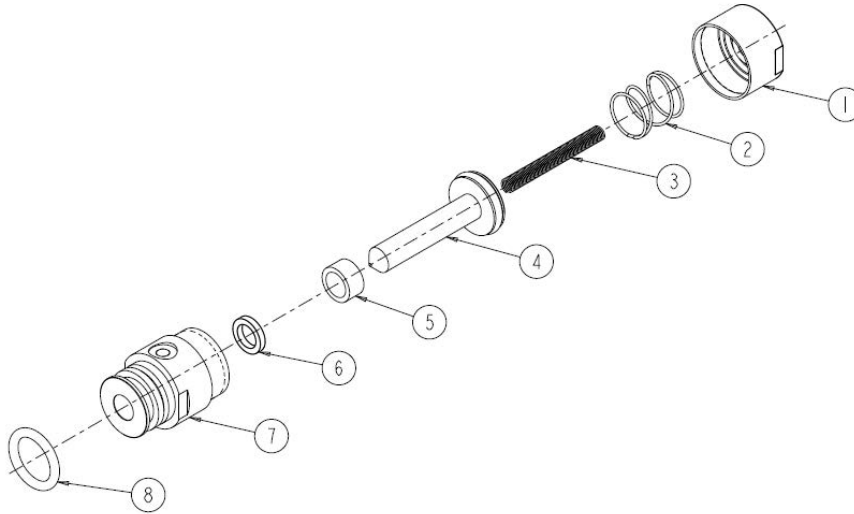


Figure 7.

Table 7.: Air Valve Assembly

Item	Part No.	Description
1	910002057-8	VALVE COVER TOP
2	910002057-7	SPRING 1
3	910002057-6	SPRING 2
4	910002057-1	PLUNGER ASSEMBLY
5	910002635	CERAMIC BEARING
6	910002057-9	QUAD RING
7	910002057-4	VALVE COVER
8	910002057-5	O-RING, VALVE COVER

## DISPLAY ASSEMBLY

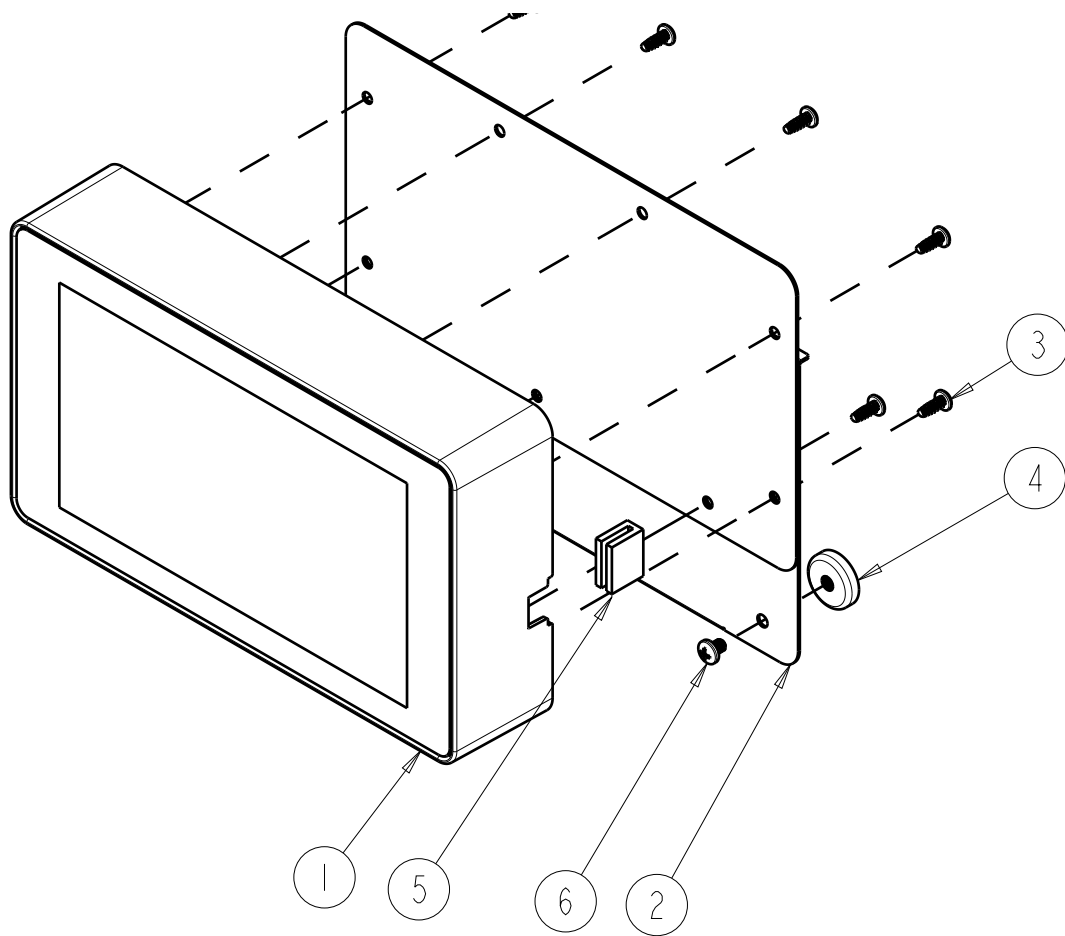


Figure 8.

Table 8. Display Assembly

Item	Part No.	Description
1	620070052	DISPLAY KRISTEL MODULE
2	910001801	DISPLAY BRACKET
3	910002053	THREAD FORMING SCREW #6-19 THREAD 3/8" LONG
4	910002080	MAGNET ASSEMBLY
5	910002239	GROMMET FMFV DISPLAY
6	910002051	SCREW M4 X 5mm PAN HEAD





**Cornelius Inc.**  
**[www.cornelius.com](http://www.cornelius.com)**