



FAST FLOW (FFV) VALVES AND PARTS



October 1, 2010



Fast Flow Valves

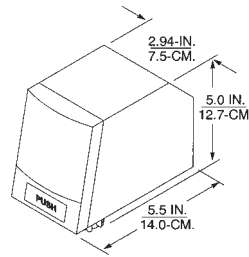
Technical Specifications:

Voltage Requirements: 24VAC / 60Hz / 1.2A

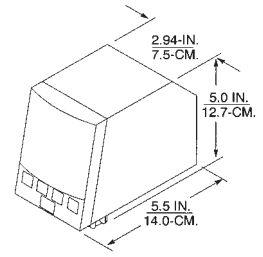
Flow Range: Flow rate of 1.5 fl. oz./sec. to 3 fl. oz./sec. (60 ml to 90 ml)

Flow Controls: Ceramic flow controls are used on both the water and syrup circuits

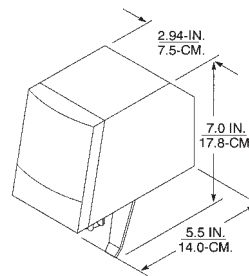
Agency Listings:



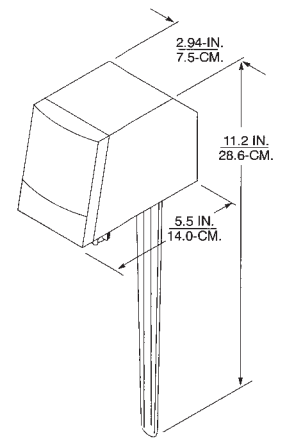
Push Button



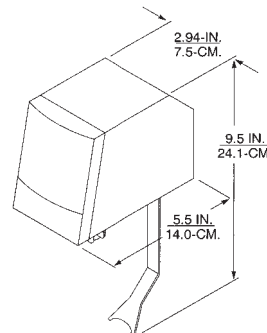
Portion Control



Standard Lever Valve



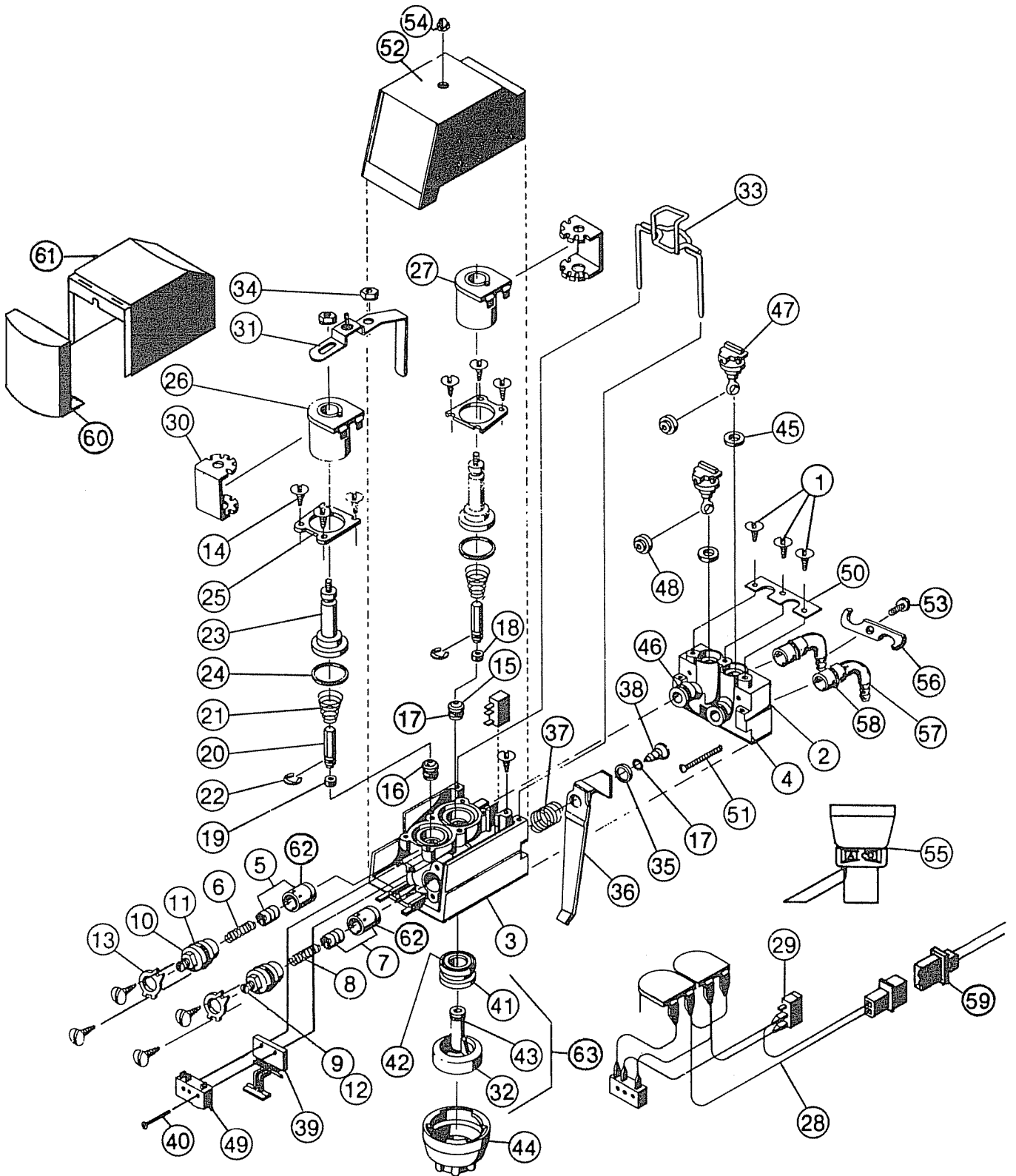
Sure Fill™



Self Serve Lever

Part Number	Description
83377001C	FFV Lever
83377002C	FFV Lever with soda water button
83377011C	FFV Large Push Button
83377121C	FFV Portion Control
83377122C	FFV Portion Control with soda button
83377123C	FFV Portion Control with water button
83377101C	FFV Self Serve Lever





Item No.	Part No.	Description
1	71822024	Screw 8-18 x 7/16" Self-Tapping SS Truss-Head Phillips
2	48280	Mounting Block Assembly
3	48269	Body
4	48274	Mounting Block
5	85033001	Spool and Sleeve-Water
6	48258006	Spring-Water
7	85033002	Spool and Sleeve-Syrup
8	48258005	Spring-Syrup
9	7245753	Screw-Adjustment, Flow Control
10	48256	Bonnet-Flow Control
11	31525007	O-Ring, .488ID 103CS 60Du
12	31525030	O-Ring, .176ID 103CS 70Du
13	48257001	Plate-Retaining, Flow Control
14	49478001	Screw, 8-18 x 7/16" Self-Tapping SS Hex-Head Slotted
15	71860288	Valve-Water Port
16	71860282	Valve-Syrup Port
17	31525020	O-Ring, .176ID 070CS 60Du
18	620711131	Seat-Water Armature
19	620711132	Seat-Syrup Armature
20	71860290	Armature
21	18367	Spring-Armature, SS
22	71815321	Ring-Retaining .245 x .500 x .027 SS
23	19695001	Guide Assembly
24	620710107	Gasket
25	48268	Plate-Guide
26	12931022	Solenoid 24V50/60 Syrup, Pink
27	48520	Solenoid 24V50/60 Water, Red
28	21610	Wire Harness, Water Option
	560005530	Wire Harness and Switch Assembly
29	18054	Switch-Micro
30	16779	"C" Frame
31	82464	Bracket-Top
	71827290	Bracket-Retaining, Old-Style
32	28259002	Tube-Syrup Diffuser
33	49564001	Retainer
34	321811000	Nut-Lock, 10-32 Keps
35	71823750	Washer .406 x .590 x .049 Thick SS
36	84923002	Lever-Self-Serve, Sanitary
	48264	Lever
37	23746000	Spring-Lever
38	24232001	Screw 10-16 x 1/2" Self-Tapping SS Truss-Head Phillips
39	48270	Push Button-Soda
40	36736001	Screw 02-32 x 9/16" Self-Tapping SS Round-Head Slotted

Item No.	Part No.	Description
41	71828262	Diffuser Assembly – Includes Quad Ring, #49457
42	49457	Ring-Quad
43	31525031	O-Ring, .206ID 070CS 70Du
44	48265103	Nozzle-Black, Star
	48265004	Nozzle-Black, No Star
	48265104	Nozzle-White, Star
45	31525007	O-Ring, .488ID 103CS 60Du
46	31525005	O-Ring, .362ID 103CS 60Du
47	48275	Valve-Shut Off
48	48279001	Washer-Spherical
49	60068021	Switch-Soda, Sabre
50	49006001	Bracket-Retaining
51	60003080	Screw 10-32 x 1-1/8" SS Round-Head Slotted
52	OBS	Cover Old-Style
53	71822024	Screw 8-18 x 7/16" SS Truss-Head Phillips
54	71827274	Nut-Cover Retainer
55	49796	Separator - Syrup
	38650008	Separator – Syrup, S.E.V.
56	40407	Holding Clip
57	77050100	Fitting-Inlet 90° Barbed
58	317015000	O-Ring, .239ID 070CS 70Du
59	23103000	Housing Lead
60	82453001	Cover-Sabre, Front
61	82454	Cover-Sabre, Back
62	31525060	O-Ring, .459ID 040CS 70Du
63	71828917	Diffuser Assembly & Syrup Tube
N/A	167478XXX	Flavor Decals
	167479XXX	Flavor Decals
N/A	85164001	Cap, Tamper-Proof Quality Seal, Red
	85164002	Cap, Tamper-Proof Quality Seal, Gray
N/A	85868001	SureFill Module With Top-Off
N/A	83541001	Push-Button Jumper Assembly
N/A	167480042	Cover-Sabre, Portion Control With Top-Off
N/A	60281004	Piston, Ceramic, Syrup Premium Tea, .050