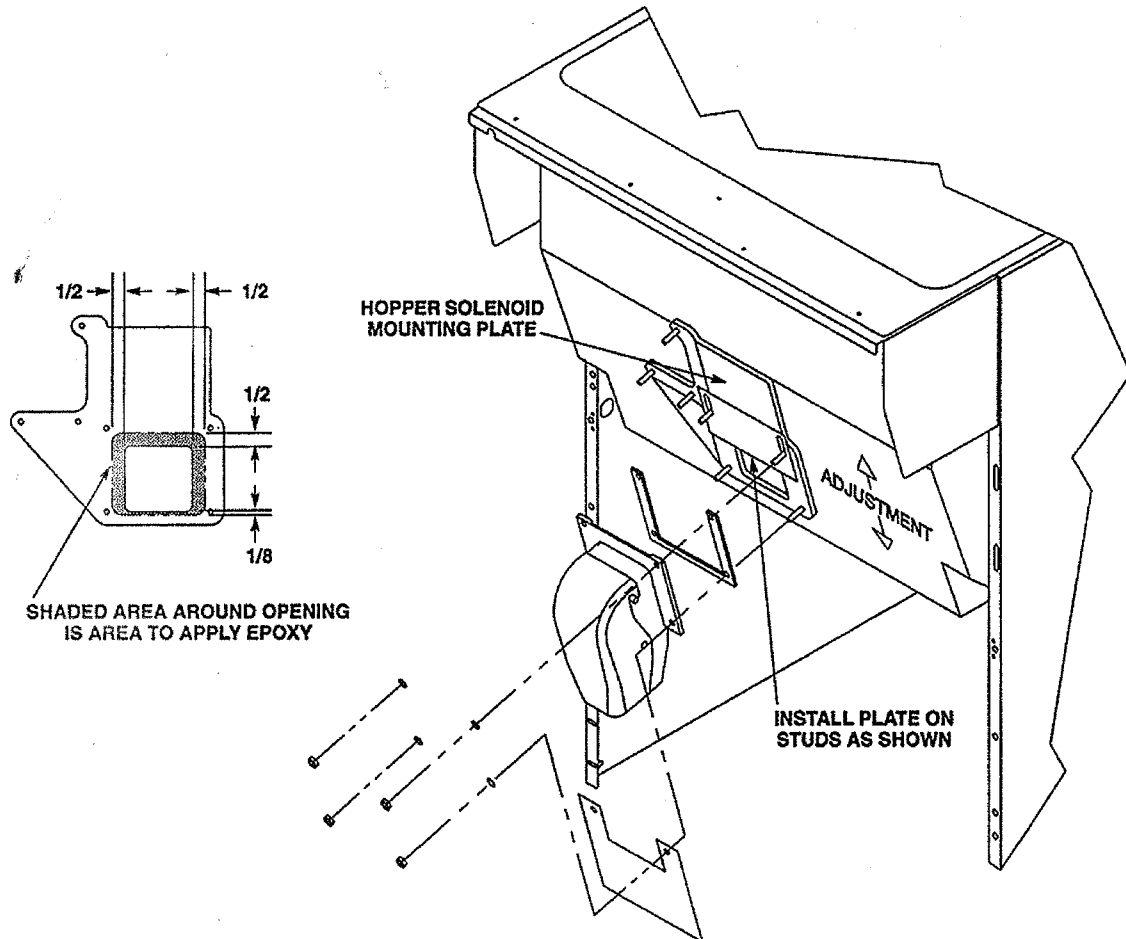




IMI CORNELIUS INC.
One Cornelius Place
Anoka, MN 55303-6234
Telephone (800) 238-3600
Facsimile (612) 422-3246

INSTALLATION INSTRUCTIONS

HOPPER SOLENOID MOUNTING PLATE REPLACEMENT KIT, P/N 629081001



- 1) CAUTION: DISCONNECT ELECTRICAL POWER BEFORE WORKING ON UNIT.
- 2) HOPPER BONDING SURFACE MUST BE CLEAN, DRY AND FLAT.
- 3) IF NECESSARY SMOOTH OUT HOPPER BONDING AREA WITH SANDPAPER, REMOVING EPOXY AND PLASTIC FROM OLD GATE PLATE.
CAUTION: DO NOT REMOVE SO MUCH MATERIAL THAT HOPPER BONDING AREA IS WEAKENED.
- 4) APPLY EPOXY TO SOLENOID MOUNTING PLATE AS SHOWN AND INSTALL ON HOPPER.
NOTE: CARE MUST BE TAKEN TO KEEP EPOXY OFF SCREW THREADS OF SOLENOID MOUNTING PLATE. ALIGN CUTOUT ON HOPPER WITH CUTOUT IN SOLENOID MOUNTING PLATE. BOND MUST BE WATER TIGHT.
- 5) WIPE AWAY ANY EXCESS SOLVENT.
- 6) ALLOW TO DRY FOR 24 HOURS.
- 7) INSTALL SOLENOID ASSEMBLY ONTO MOUNTING PLATE.