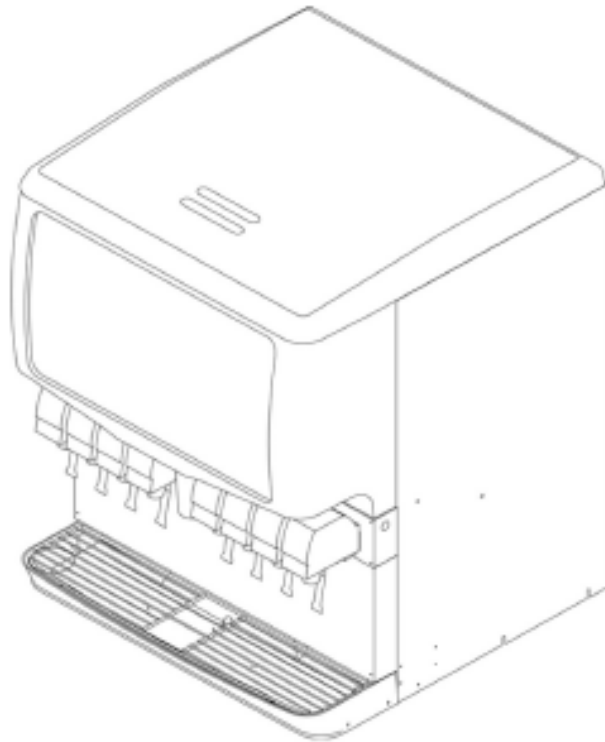




ILLUSTRATED PARTS LIST

ENDURO - 200/250



Release Date: September 22, 2021

Publication Number: 92108IPL

Revision Date: September 22, 2021

Revision: N

Visit the Cornelius web site at www.cornelius.com for all your Literature needs.

The products, technical information, and instruction contained in this manual are subject to change without notice. These instructions are not intended to cover all details or variations of the equipment, nor to provide for every possible contingency in the installation, operation or maintenance of this equipment. This manual assumes that the person(s) working on the equipment have been trained and are skilled in working with electrical, plumbing, pneumatic, and mechanical equipment. It is assumed that appropriate safety precautions are taken and that all local safety and construction requirements are being met, in addition to the information contained in this manual.

This product is warranted only as provided in Cornelius' Commercial Warranty applicable to this Product and is subject to all of the restrictions and limitations contained in the Commercial Warranty.

Cornelius will not be responsible for any repair, replacement or other service required by loss or damage resulting from any of the following occurrences, including but not limited to, (1) other than normal and proper use and normal service conditions with respect to the Product, (2) improper voltage, (3) inadequate wiring, (4) abuse, (5) accident, (6) alteration, (7) misuse, (8) neglect, (9) unauthorized repair or the failure to utilize suitably qualified and trained persons to perform service and/or repair of the Product, (10) improper cleaning, (11) failure to follow installation, operating, cleaning or maintenance instructions, (12) use of "non-authorized" parts (i.e., parts that are not 100% compatible with the Product) which use voids the entire warranty, (13) Product parts in contact with water or the product dispensed which are adversely impacted by changes in liquid scale or chemical composition.

Contact Information:

To inquire about current revisions of this and other documentation or for assistance with any Cornelius product, contact:

**www.cornelius.com
800-238-3600**

Trademarks and Copyrights:

This document contains proprietary information and int may not be reproduced in any way without permission from Cornelius.

This document contains the original instructions for the unit described.

CORNELIUS INC.
101 Regency Drive
Glendale Heights, IL
Tel: + 1 800-238-3600

Printed in U.S.A.

CABINET SECTION ASSEMBLY

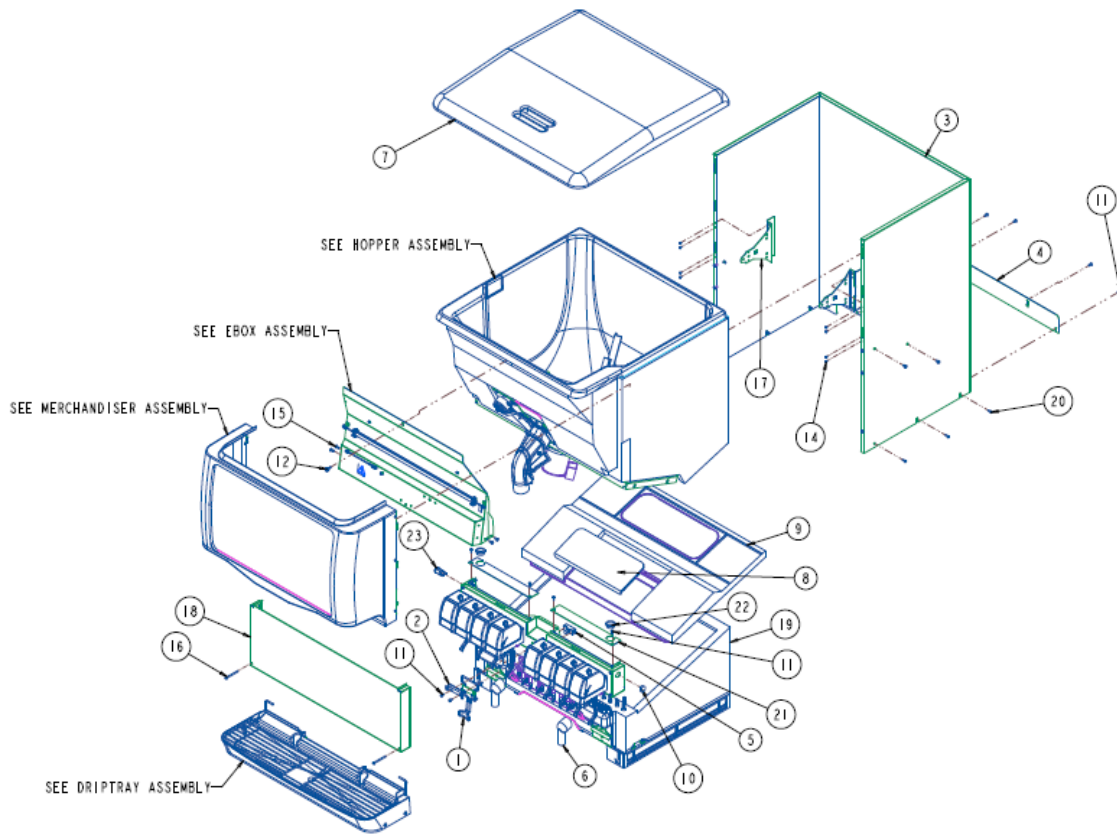


Figure 1

ITEM NO	PART NUMBER	DESCRIPTION
1	15500	LEVER ASY SHORT
	15488	LEVER ASY LONG
	15502	PUSH LEVER ICE DISPENSE
2	27107	RETAINER LEVER ICE DISP
3	29547	WRAP CABINET ED/DF250
	29540R	WRAP CABINET ED/DF200
4	29555	PANEL BACK COVER
5	02070	ACTUATOR SWITCH KIT
6	53011	FITG-ELBOW C-PLT DRAIN
7	53018	LID DISPENSER GRAY ED200/250
	52909	LID DISPENSER BLACK ED200/250
8	53255	COVER ACCESS ASY ED/DF2XX
9	620520509	COVER C-PLT ASY FOAMED ECOMATE
10	** 620303001	ACTUATOR PUSHBUTTON CE
	** 620303002	SWITCH BLOCK CE

ITEM NO	PART NUMBER	DESCRIPTION
11	70171	SCREW MA 08-32 TRPH 12 SS
12	70188	SCREW WG 08-32 KN 16
14	70320	RIVET POP 125D 063-125
15	70546	RIVET POP 187D 188-250
16	71006	SCREW MA 08-32 TRPH 72 SS
17	620019701	HINGE GUSSET ED/DF
18	620052312	PANEL SPLASH Z-STYLE ED2XX
	620053401	PANEL SPLASH DF/ED2XX
	620052313	PANEL SPLASH Z-STYLE SUBWAY
19	CONTACT SALES	PANEL/COLDPLATE/VALVE ASM
20	620705801	SCREW TT 08-18 TRPH 16 SSPA
21	15090	BAFFLE UPPER
22	50767	BUSHING SNAP HEYCO
23	32977	SWITCH KEY DPST
	70739	SPARE KEY LOCK D00R

**FOR 220-240V MODELS, 51908 PLUG REPLACED BY 620303002 PUSH BUTTON SWITCH ACTUATOR AND 620303001 SWITCH BLOCK

HOPPER ASSEMBLY

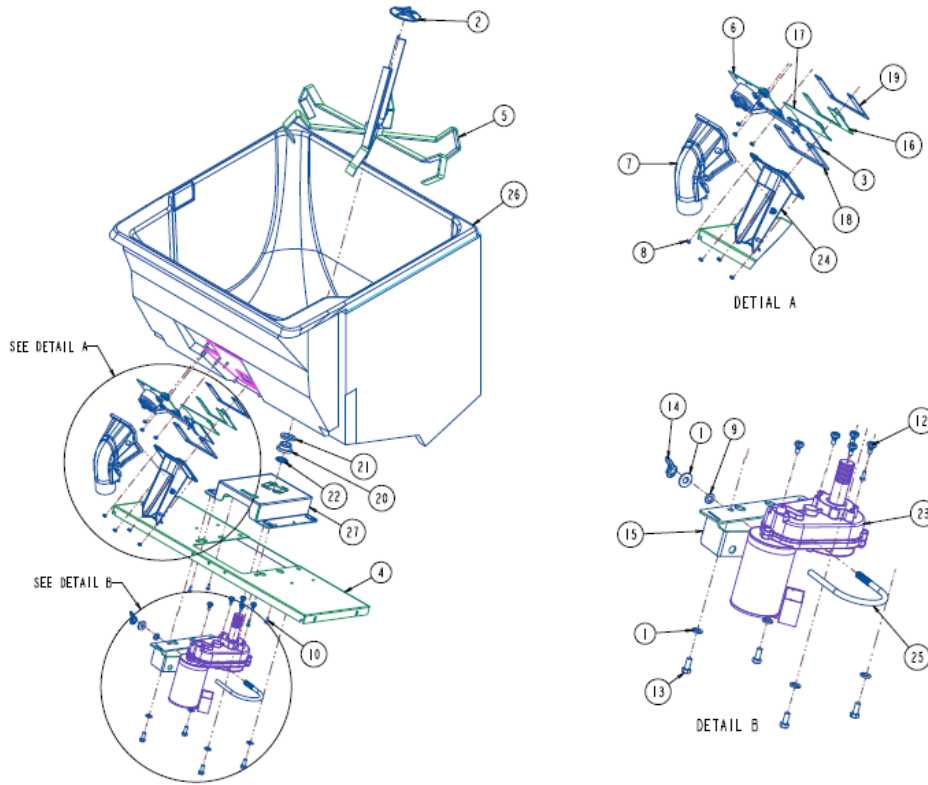


Figure 2

ITEM NO	PART NUMBER	DESCRIPTION	ITEM NO	PART NUMBER	DESCRIPTION
1	00226	WSHR-FT-A038-0438-1000-078-ST-CD	19	620059718	GASKET ICE GATE INNER ED
2	15087	RETAINER AGITATOR	20	** 620061600	SEAL MOTOR SHAFT BUSHING
3	21491	GATE SLIDE	21	** 620061992	GASKET MOTOR SHAFT ED/DF 200, 250
4	29542	BRKT MOTOR ED/DF200/250	22	** 620062926	QUAD-RING 984ID 139CS 70DU 559PE
5	29694	AGITATOR ASY DF/ED 2XX E-POLISHED	23	620314922	MOTOR GEAR 1/10 HP 115V 60HZ 6 RPM (USE FOR UNITS BEGINNING W/ SERIAL# 62A0540ED248)
6	32954	SOLENOID ASY 120 VOLT		33404	AGITATOR MOTOR 220-240 V
	33409	SOLENOID ASY 220-240 VOLT		620048092	CAPACITOR, 250V 20 MFD (USE FOR UNIT SOLD PRIOR TO SERIAL# 62A0540ED248)
7	53168	COVER ICE CHUTE	24	620500901	CHUTE ICE ED/DF
8	70016	NUT HEX 10-32 SS 18-8	25	620516432	STRAP 3/8-18 MOTOR SS. 120V
9	70068	WSHR-SL-A038-0385-0680-094-ST-ZN		620045304	STRAP 3/8-18 MOTOR ZINC 120V
10	70178	SCREW MA 08-32 TRPH 16 SS		71025	STRAP 3/8-18 MOTOR 220-240V
12	71028	BOLT SH 1/4-20	26	620517270R	HOPPER FOAMED 250 ECOMATE
13	71033	BOLT MA 3/8-16 HX 24 STCA		620517274	HOPPER FOAMED 220 ECOMATE
14	150774000	NUT WING 3/8-16 STZI	27	2954IR	PLATE MOTOR MTG
15	620052843	BRKT ASY MOTOR MTG 120V			
	15132	BRKT ASY MOTOR MTG 220-240V			
16	620059705	DEFLECTOR ICE GATE (SOFT ICE ONLY)			
17	620059707	GATE RESTRICTOR-TJ 430SS			
18	620059717	GASKET ICE GATE OUTER ED 20 DURO			

**PARTS INCLUDED IN AGITATOR KIT

MERCHANDISER ASSEMBLY

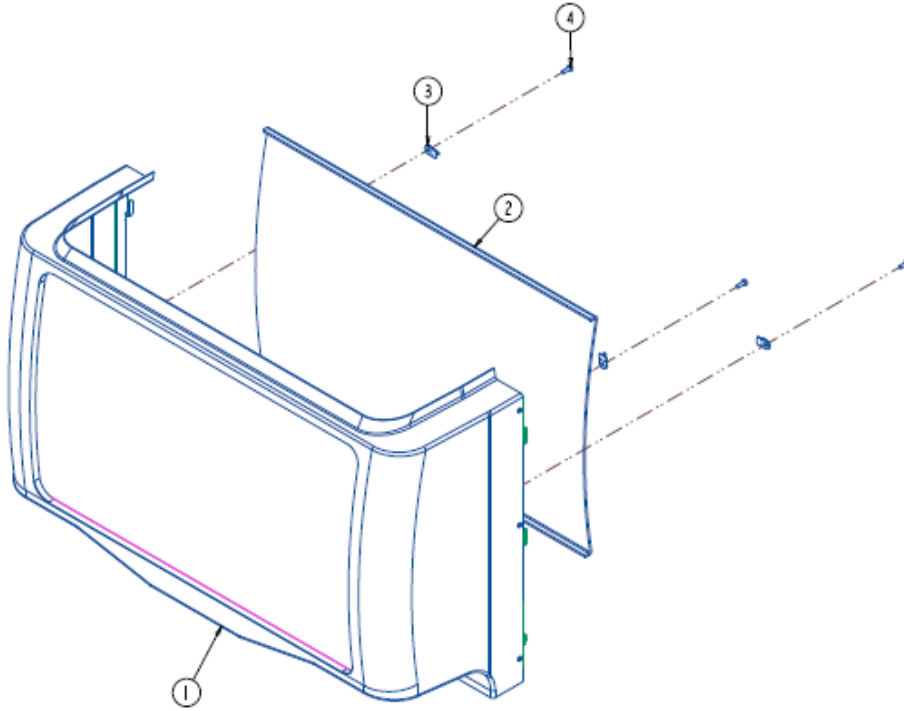


Figure 3

ITEM NO	PART NUMBER	DESCRIPTION
1	52912	MERCHNDSR ASY ED250 BLACK
	52911	MERCHNDSR ASY ED200 BLACK
	53001	MERCHNDSR ASY ED250 GRAY
	53000	MERCHNDSR ASY ED200 BLACK
	15754	MERCHNDSR ASY ED250 SS
	15755	MERCHNDSR ASY ED200 SS
	620011505	MERCHNDSR ASY ED250 (FOR LID & STRAW HOLDER
	620011509	MERCHNDSR ASY ED200 (FOR LID & STRAW HOLDER
	620011506	MERCHNDSR ASY ED250 (MEDALLION)
	620011510	MERCHNDSR ASY ED200 (MEDALLION)
	620011507	MERCHNDSR ASY ED250 (LOW LIGHT ICE)
	620011511	MERCHNDSR ASY ED200 (LOW LIGHT ICE)
2	52950	LENS WHITE ED250 24.81 X 15.11
	532949	LENS WHITE ED200
3	52972	CLIP FLUSH NYLON WHITE
4	620705801	SCREW SM 08-32 TRPH 16SSPA

DRIPTRAY

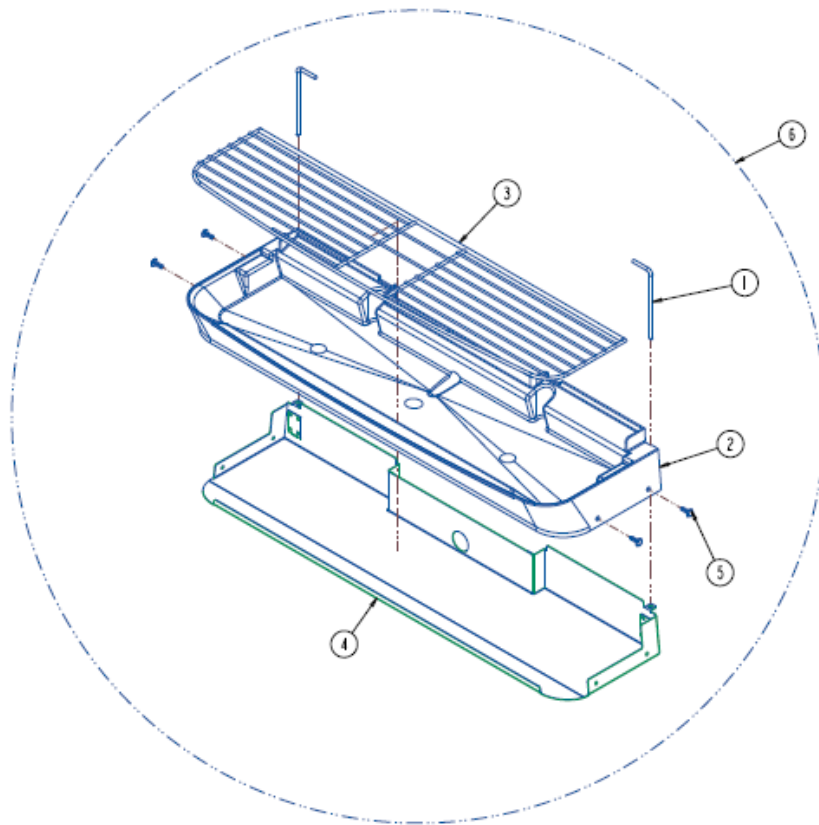


Figure 4

ITEM NO	PART NUMBER	DESCRIPTION
1	10145	PIN MTG DRIP-TRAY
2	53211	DRIP-TRAY ED/DF2XX GRY FOAMED
	53210	DRIP-TRAY ED/DF2XX BLK FOAMED
3	71039	CUP-REST ED/DF2XX STD 29.1 X 6.8 BLK
4	620028702	DRIP-TRAY EXT ASY 1PC ED/DF 2XX (USE FOR UNITS BUILD AFTER 11/15/98. SERIAL # CUT OFF: DF-ZRM1013131 AND ED-62A9841ED343)
5	70478R	CLIP PUSH ON
6	629087534	KIT INSULATED DRIP-TRAY/EXTENSION ASY BLACK ED2XX
	629087535	KIT INSULATED DRIP-TRAY/EXTENSION ASY GRAY DF/ED2XX

ELECTRICAL BOX ASY—FLUORESCENT LIGHTING

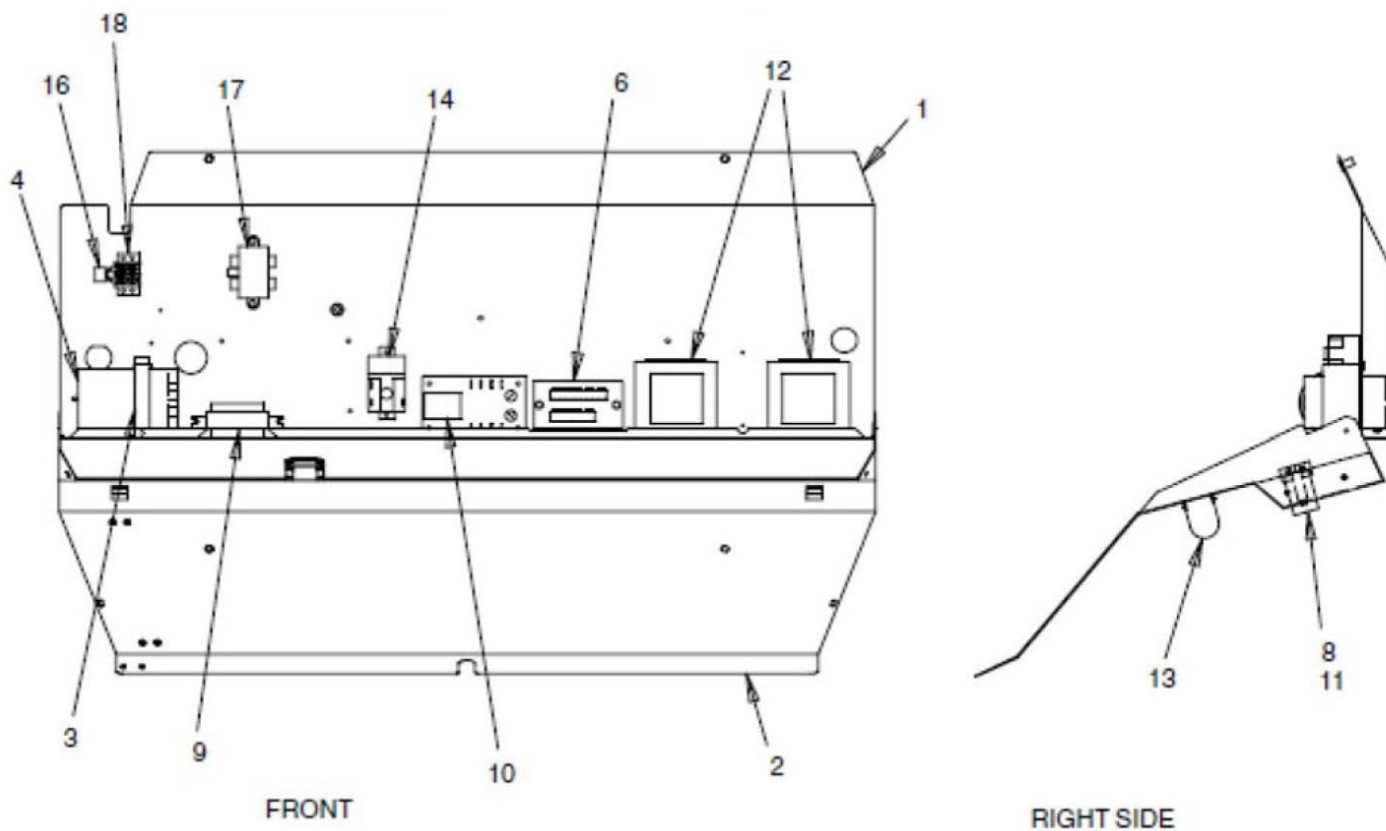


Figure 5

ITEM NO	PART NUMBER	DESCRIPTION
1	620022001	ELECTRICAL BOX (ED250)
	620020902	ELECTRICAL BOX (ED200)
2	620022101	REFLECTOR PANEL (DC250)
	620020901	REFLECTOR PANEL (DC200)
3	620021101	CLAMP, CAPACITOR 220-240 V
4	33160R	CAPACITOR AGITATOR MTR 220-240 V
5	30995	POWER CORD 120 V
	620302901	POWER CORD 220-240 V
6	30960	TERMINAL BOARD, 120 V
	31107	TERMINAL BOARD, 220-240 V
7	NOTE USED	
8	31620	STARTER 110 V
	620054076	STARTER 240 V
9	31621	BALLAST 120 V
	33662	BALLAST 220-240 V

ITEM NO	PART NUMBER	DESCRIPTION
10	* 620314802	BOARD CIRCUIT AGITATOR TIMER 230V DF/EDXXX
	** 620314803	BOARD CIRCUIT AGITATOR TIMER 115V DF/EDXXX
11	620302201	SOCET STARTER
12	32682	TRANSFORMER 120 V
	32829R	TRANSFORMER 220-240 V
13	620302101	LAMP HOLDER
14	620306601	RELAY, STARTER 220-240 V
15	NOT USED	
16	620304601	VARIATOR 220-240 V
17	620307301	FILTER 220-240 V
18	32244	TERMINAL STRIP 220-240 V

* AGITATOR TIMER KIT 115V 629087448

** AGITATOR TIMER KIT 220-240V 629087451

ELECTRICAL BOX ASY—LED LIGHTING

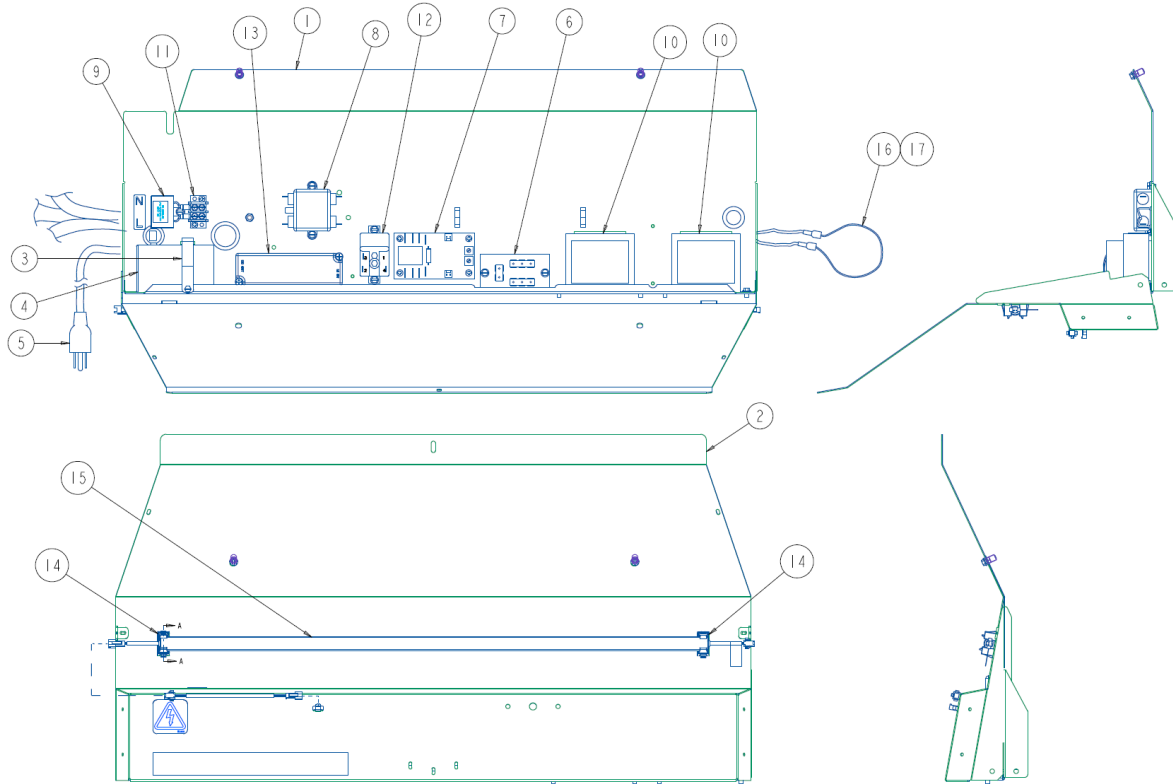


Figure 6

ITEM NO	PART NUMBER	DESCRIPTION	ITEM NO	PART NUMBER	DESCRIPTION
1	620022001	ELECTRICAL BOX (ED250)	8	620307301	FILTER 220-240 V
	620020902	ELECTRICAL BOX (ED200)	9	32244	TERMINAL STRIP 220-240 V
2	620200102	REFLECTOR PANEL (DC200)	10	32682	TRANSFORMER 120 V
	620200103	REFLECTOR PANEL (DC250)		32829R	TRANSFORMER 220-240 V
3	620021101	CLAMP, CAPACITOR 220-240 V	11	620304601-100	VARIATOR 220-240 V
4	33160R	CAPACITOR AGITATOR MTR 220-240 V	12	620306601	RELAY, STARTER 220-240 V
5	30995	POWER CORD 120 V	13	620057649-018	PWR-SUPPLY 24VDC 20W LED ASY
	620302901	POWER CORD 220-240 V	14	620064161	CLIP RETAINING LED LIGHT BAR
6	30960	TERMINAL BOARD, 120 V	15	620064030-001	LIGHT TUBE 24" 10W 24VDC
	31107	TERMINAL BOARD, 220-240 V		31928	BULB FLUOR 23" ED/DF200/250
7	* 620314803	BOARD CIRCUIT AGITATOR TIMER 115V DF/EDXXX	16	30794	HEATER AGIT MTR 115V
	** 620314802	BOARD CIRCUIT AGITATOR TIMER 230V DF/EDXXX		32826	HEATER MOTOR 220V 50/60
			17	70341	SPRING, MOTOR HEATER

NOTES:

OPTIONAL LOW VOLTAGE ICE DISPENSE RELAY 60569001

* AGITATOR TIMER KIT 115V 629087448 (USE FOR UNIT BUILD AFTER 1/22/02)

** AGITATOR TIMER KIT 220-240V 629087451

SOLENOID ASSEMBLY

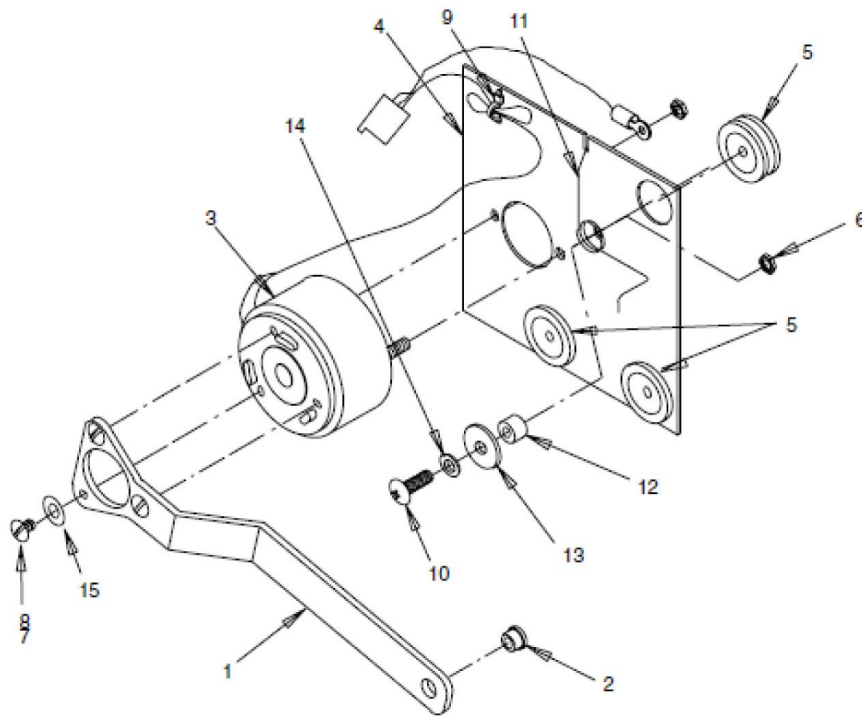


Figure 7

ITEM NO	PART NUMBER	DESCRIPTION
1	28173	ARM, GATE LIFT
2	50754	BEARING, GATE ARM
3	32957	SOLENOID, 120V
	33397	SOLENOID, 220-240V
4	28172	PLATE, SOLENOID MOUNTING
5	50752	ISOLATOR
6	70015	HEX NUT, NO. 10-32
7	51689	LOCKTITE
8	70162	SCREW, NO. 8-32 BY 1/4-IN. LONG
9	50705	TIE CABLE
10	70165	SCREW, NO. 8-32 BY 5/8-IN. LONG
11	71007	SPRING, SOLENOID ARM
12	51348	SPACE
13	70067	WASHER, .218 I.D. BY .875 O.D.
14	70057	LOCKWASHER, NO. 10
15	70052	FLATWASHER, NO. 8

*NOT SHOWN IN ASM.

DRAIN ASSEMBLY—Z STYLE

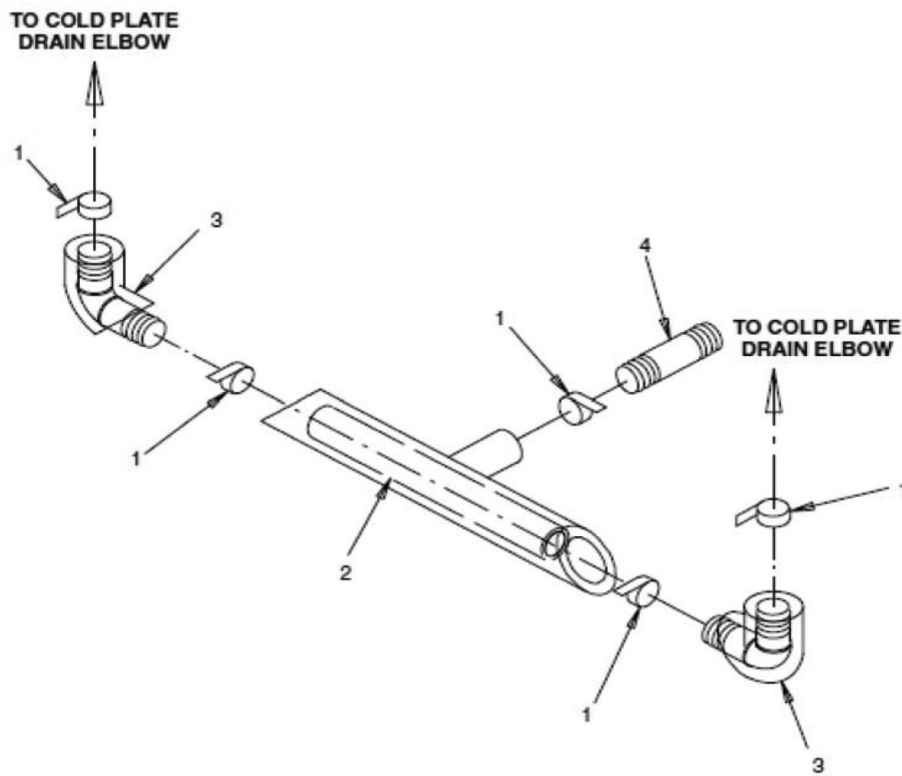


Figure 8

ITEM NO	PART NUMBER	DESCRIPTION
1	70750	HOUSE CLAMP
2	53169	DRAIN TUBE 1
3	51280	ELBOW 2
4	53293	COUPLER 1
*	629080104	KIT SINK TO Z STYLE DF200/250 (Z= NO DRIP-TRAY OR CUP-REST. THE KIT REMOVES TRAY AND CUP-REST. ALLOWS UNIT TO SIT ON COUNTER WITH BUILT IN TRAY AND CUP-REST.)
*	629080304	KIT Z STYLE TO SINK DF200/250 GRAY (Z= NO DRIP-TRAY OR CUP-REST. THIS KIT ADDS DRIP-TRAY AND CUP-REST)
*	629080303	KIT Z STYLE TO SINK DF200/250 BLACK (Z= NO DRIP-TRAY OR CUP-REST. THIS KIT ADDS DRIP-TRAY AND CUP-REST)
*	740002507	DRIP-TRAY VERSION TUBE 6FT DRAIN INSULATION ASY

COMPONENTS FOR FLAVOR UNITS

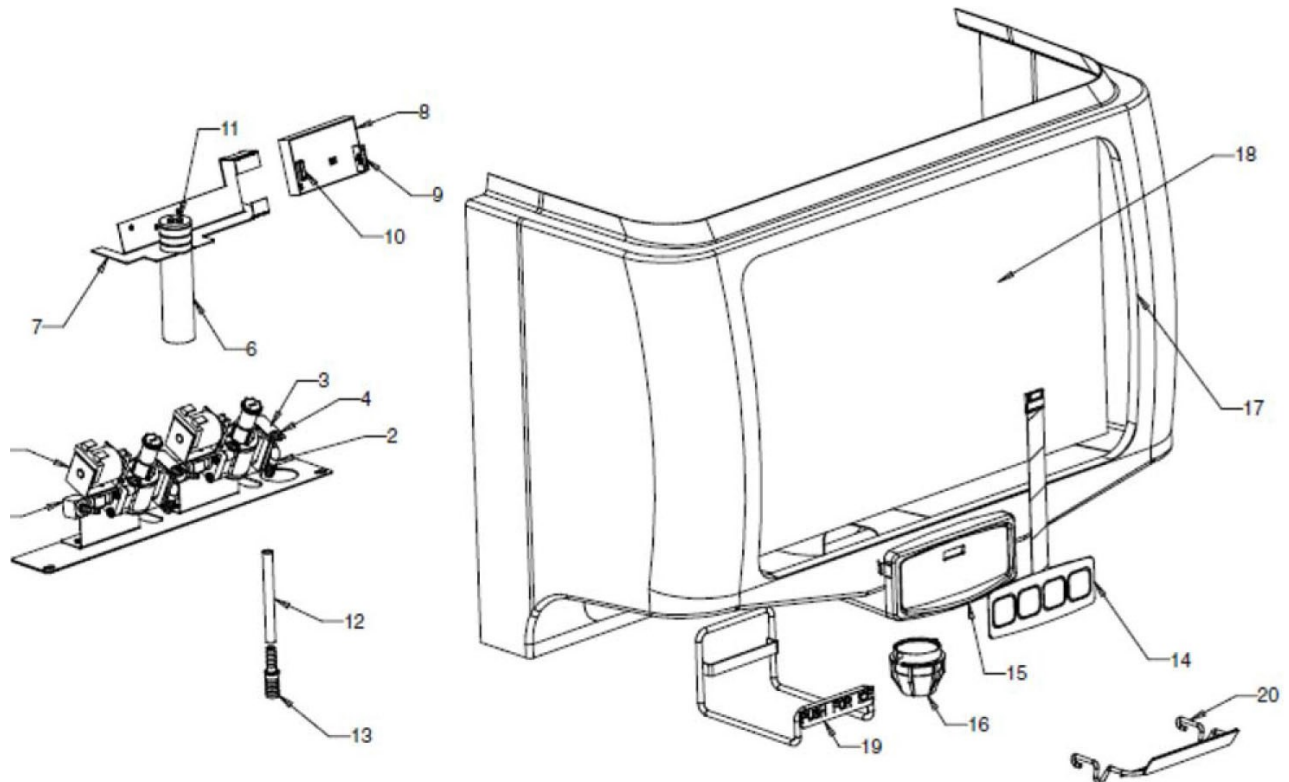


Figure 9

ITEM NO	PART NUMBER	DESCRIPTION
1	2487	FLOW CONTROL ASSEMBLY
2	620709068	FITTING ELBOW 1/4 BARB
3	620046335	RETAINER VALVE
4	319941000	SCREW TR 08-32 HXWS
5	620718932	FITTING 90 SWIVEL 1/8 BARB
6	620715821	INNER NOZZLE
7	620052042	NOZZLE BRACKET 200/250
8	620314823	PC BOARD
*9	620313657	JUMPER PCB TO KEYPAD 4
	620313658	JUMPER PCB TO KEYPAD 2 FL
*10	620316443	HARNESS SOLENOID 4
	620316442	HARNESS SOLENOID 2
*11	770000119	TUBING SYRUP 1/8 ID
12	50299	TUBING BEV 265 ID X 465 OD
13	77040700	FITG SPLICER 1/4 X 3/8

ITEM NO	PART NUMBER	DESCRIPTION
14	620313280	MEMBRANE SWITCH 4 BUTTON
15	620054630	HOUSING - KEYPAD/NOZZLE
16	1945	OUTER NOZZLE
17	620519217	MERCH FLAVORBLAST, ED200 BLK
	620519213	MERCH FLAVORBLAST, ED250 BLK
	620519214	MERCH FLAVORBLAST, ED250 GRY
	620519212	MERCH FLAVORBLAST, ED200 GRY
*18	620920066	GRAPHIC FLAVORBLAST, ED200
	620920067	GRAPHIC FLAVORBLAST, ED250
19	620709313	LEVER ICE PUSH BAR - FLAVORBLAST
20	620516221	SPLASHSHIELD FLAVORBLAST

WATER MANIFOLD AS-

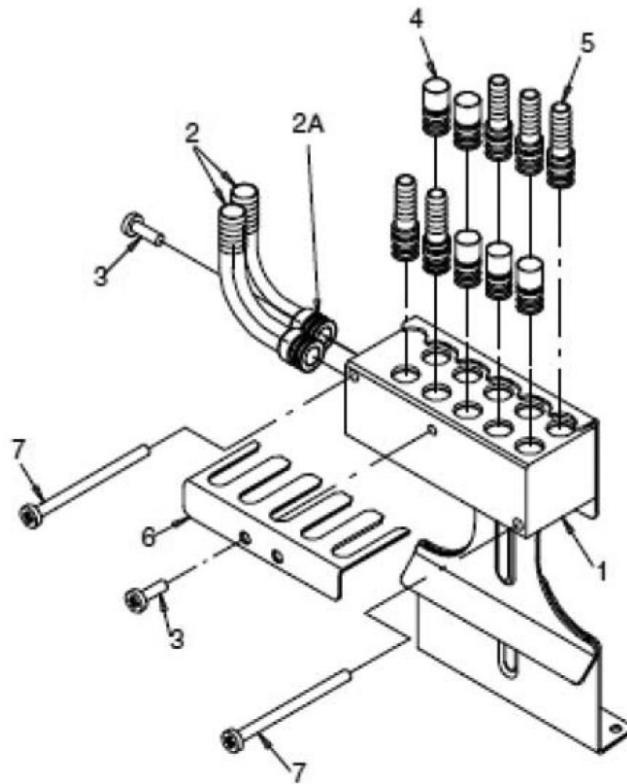


Figure 10

ITEM NO	PART NUMBER	DESCRIPTION
1	620407728	MANIFOLD FLEX 5-POS
2	620709065	FITG ELBOW 1/2 X 3/8 BRB
2A	100057	O-RING
3	70204	SCREW SM #8 X1/2
4	620519005	PLUG 3/8 WITH O-RING
5	620709066	FITG STRAIGHT 3/8 X 1/4 BRB
6	620046316	RETAINER CLIP
7	620706632	SCREW TRPH #8-18 X 2 WAXED
*	620711913	INSULATION BLOCK RH
*	620711914	INSULATION BLOCK LH
*	620715408	HOOK AND LOOP FASTENER

NOTE: * NOT SHOWN IN ASY

WATER MANIFOLD ASSEMBLY (SKU P/N: 0511812Q1544)

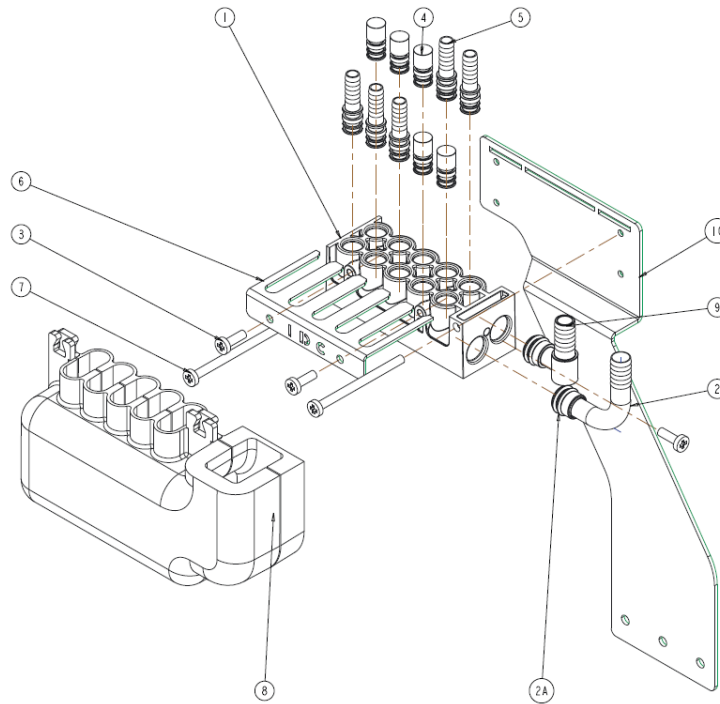


Figure 11

ITEM NO	PART NUMBER	DESCRIPTION
1	620407726	MANIFOLD FLEX
2	620709065	FITG ELBOW 1/2 X 3/8 BRB
2A	100057	O-RING
3	70204	SCREW SM #8 X 1/2
4	620519005	PLUG 3/8 w/O-RING
5	620709066	FITG STRAIGHT 3/8 X 1/4 BRB
6	620046316	RETAINER CLIP
7	630901579	SCREW MA 08-32PAPH 56 SS
8	620711913	INSULATION BLOCK, RH
	620711914	INSULATION BLOCK, LH
9	770000534	FITG L-BRB 3/8 BRB X 1/2 DOLE SS
10	620064700	BRKT-RH-MANIFOLD MTG ED SERIES
	620062667	BRKT-LH-MANIFOLD MTG ED SERIES
*	620715408	HOOK AND LOOP FASTENER

*NOT SHOWN IN ASM.

© 2021, Marmon Foodservice Technologies, Inc.

[Www.cornelius.com](http://www.cornelius.com)