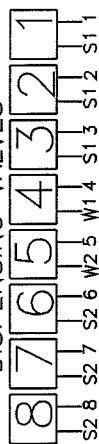


11.00

### PLUMBING DIAGRAM

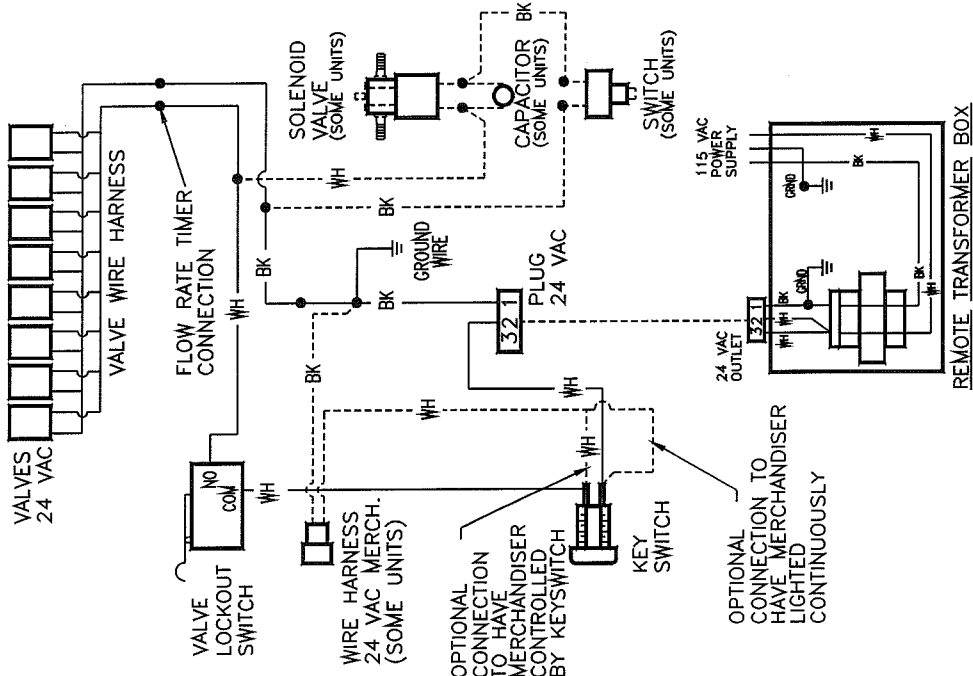
8 VALVE UNIT  
(FRONT VIEW)

DISPENSING VALVES



8.50

### WIRING DIAGRAM



P/N 16 3423 037 REV. B

*Label PBG/WRG  
CB 3023 MC PTP*

S:

MATERIAL: 4 MIL WHITE VINYL WITH PAPER COVERED ADHESIVE BACKING  
PRINTING TO BE BLACK AT THE APPROXIMATE SIZE AND LOCATION