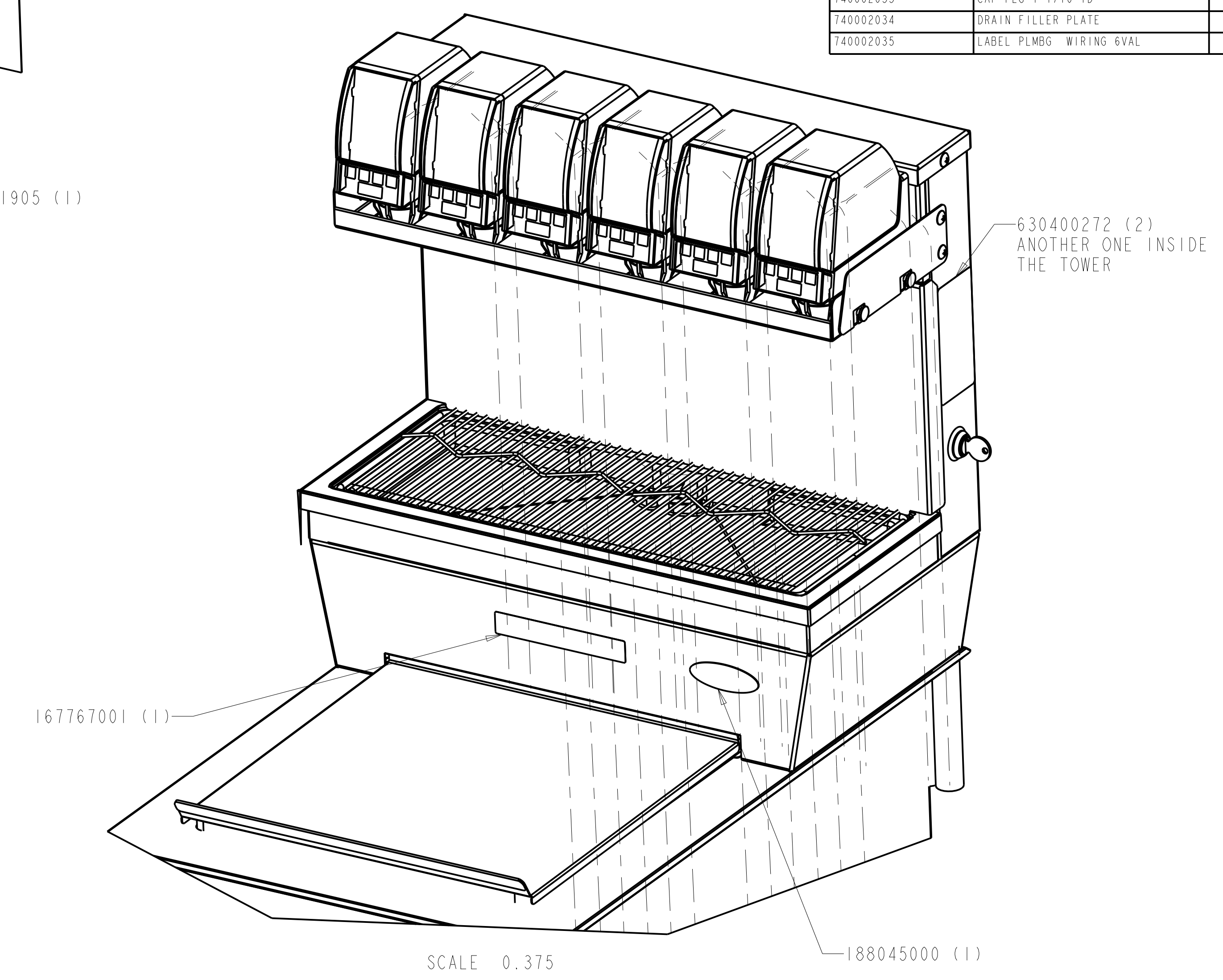
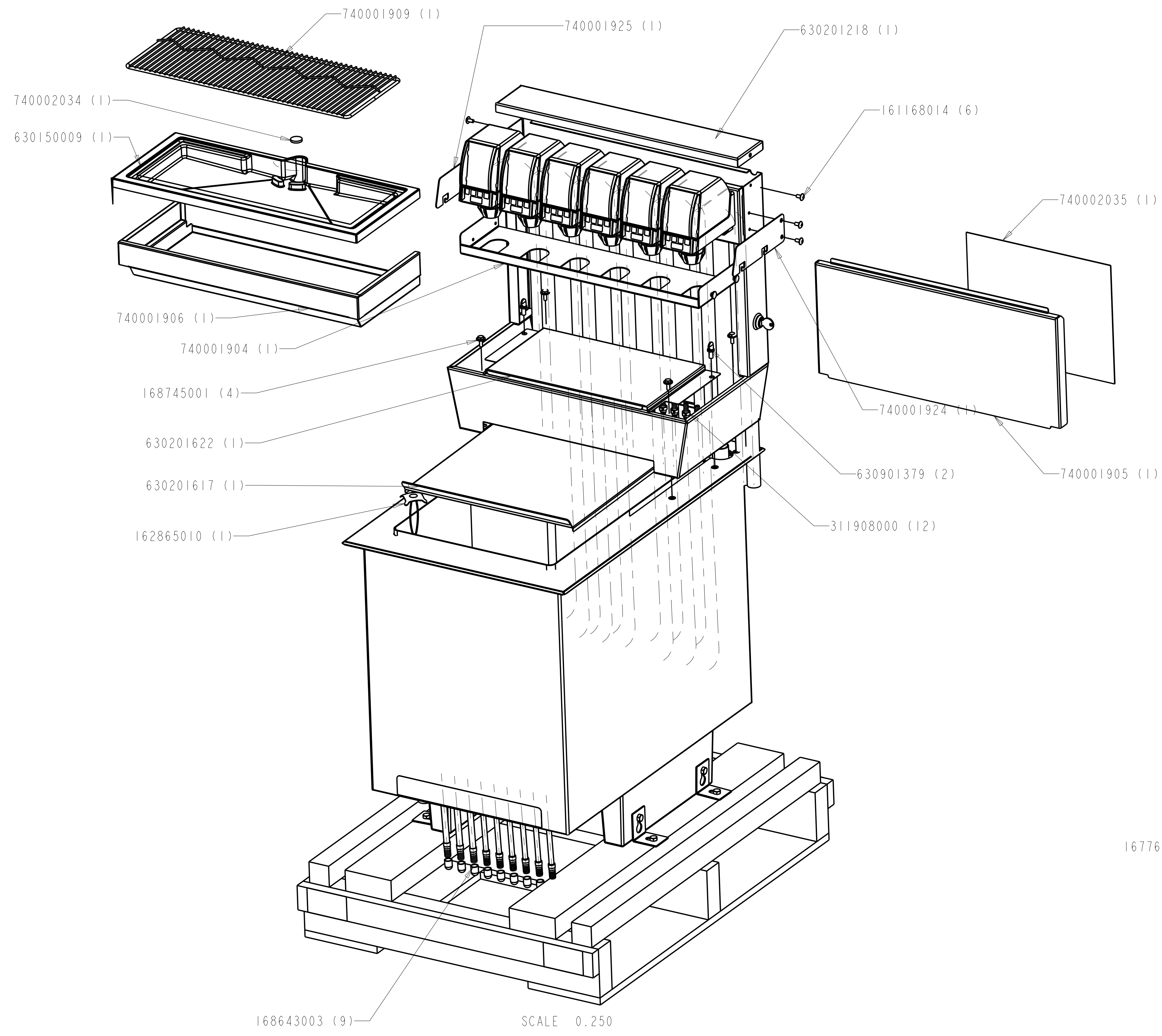


KBM BOM'S OVERRIDE
DRAWING BOM'S CONFLICTS

PART NUMBER	DESCRIPTION	QTY
161168014	SCREW MA 10-32 012TR SS PH	6
162865010	STRAINER CORNER	1
167767001	LABEL NOTICE DISVLV	1
168643003	CAP TUB .38 YL	9
168745001	BOLT, HEX	4
188045000	MEDALLION CORNELIUS 2.578 LGFS	1
311908000	CLAMP OETR 445OPEN STPLS #11.3	12
630150009	DRIP-TRAY DD BLK 18 IN	1
630201218	COVER TWR	1
630201617	LID SLD CB1522	1
630201622	PLATE SANITARY	1
630400272	LABEL SERIAL DECAL BLANK 2X4	2
630901379	BOLT MA 1/4-20 THSH 16	2
740001904	BRKT MOUNT NOZZLE GUARD	1
740001905	SPLASHGUARD PANL	1
740001906	DRIP-TRAY EXTENDER ASSY	1
740001909	CUP-REST 1522SST	1
740001924	BRKT GUARD RH	1
740001925	BRKT GUARD LH	1
740002024	CAP-PLG 1-5/16 ID	1
740002025	PIPE PVC CAP 3/4 NPT	1
740002033	CAP-PLG 1-1/16 ID	1
740002034	DRAIN FILLER PLATE	1
740002035	LABEL PLMBG WIRING 6VAL	1



NOTES:

1. ALL STAINLESS FITTINGS AND TUBING ARE TO BE PROPERLY INSULATED AFTER LEAK AND FUNCTIONAL TESTING.
2. COIL AND SECURE WIRE TO BOTTOM OF UNIT WITH TIE CABLE.
3. WRAP PART 740001910 WITH FOAM AND SHIP INSIDE THE UNIT.
4. SILICONE OUTSIDE OF TOWER TO DECO FRAME.
5. SECURE GREEN TOWER GROUNDING WIRE USING THE RIGHT REAR TOWER MOUNTING BOLT.

REV	DESCRIPTION	ECN	REV BY	CHECK BY	APP'D BY	APP'D DATE
2	COMPONENTS ADDED		M.I.			10/12/15
1	PRELIMINARY RELEASE		M.I.	J.H.	J.S.	09/11/15

IMPORTANT!
THIS PART MUST MEET RoHS
DIRECTIVE 2002/95/EC

CRITICAL INSPECTION DIM.
(REFERENCE DIM.)
NOT TO SCALE DIM.

NOTICE
THIS DATA IS THE PROPERTY OF CORNELIUS AND CAN NOT BE COPIED, REPRODUCED OR OTHERWISE DISPOSED OF OR USED FOR MAKING OR PURCHASING OF PARTS THERE OF EXCEPT UPON WRITTEN CONSENT OF CORNELIUS. AND ALL DATA IS TO BE CONSIDERED CONFIDENTIAL. DO NOT SCALE DRAWING

PRO/E DRAWING
THIRD ANGLE PROJECTION

DIMENSIONS ARE IN INCHES. TOLERANCE UNLESS OTHERWISE SPECIFIED.
DECIMALS
1 PLACE: .X...±0.1
2 PLACE: .XX...±0.01
3 PLACE: .XXX±0.001
DIAMETERS: ±.003
ANGLES: ±0.5
ASME Y14.5M 1994 STANDARD
DO NOT SCALE DRAWING

EDGES .005-.015R
0.13-0.38R
FILLETS .005-.020R
0.13-0.50R

MATL	DESC	FINISH
SEE BOM		
DRW'N	M.I.	09/11/15
CHECK	J.H.	09/11/15
APP'D	J.S.	09/11/15

REYNOSA, MEXICO

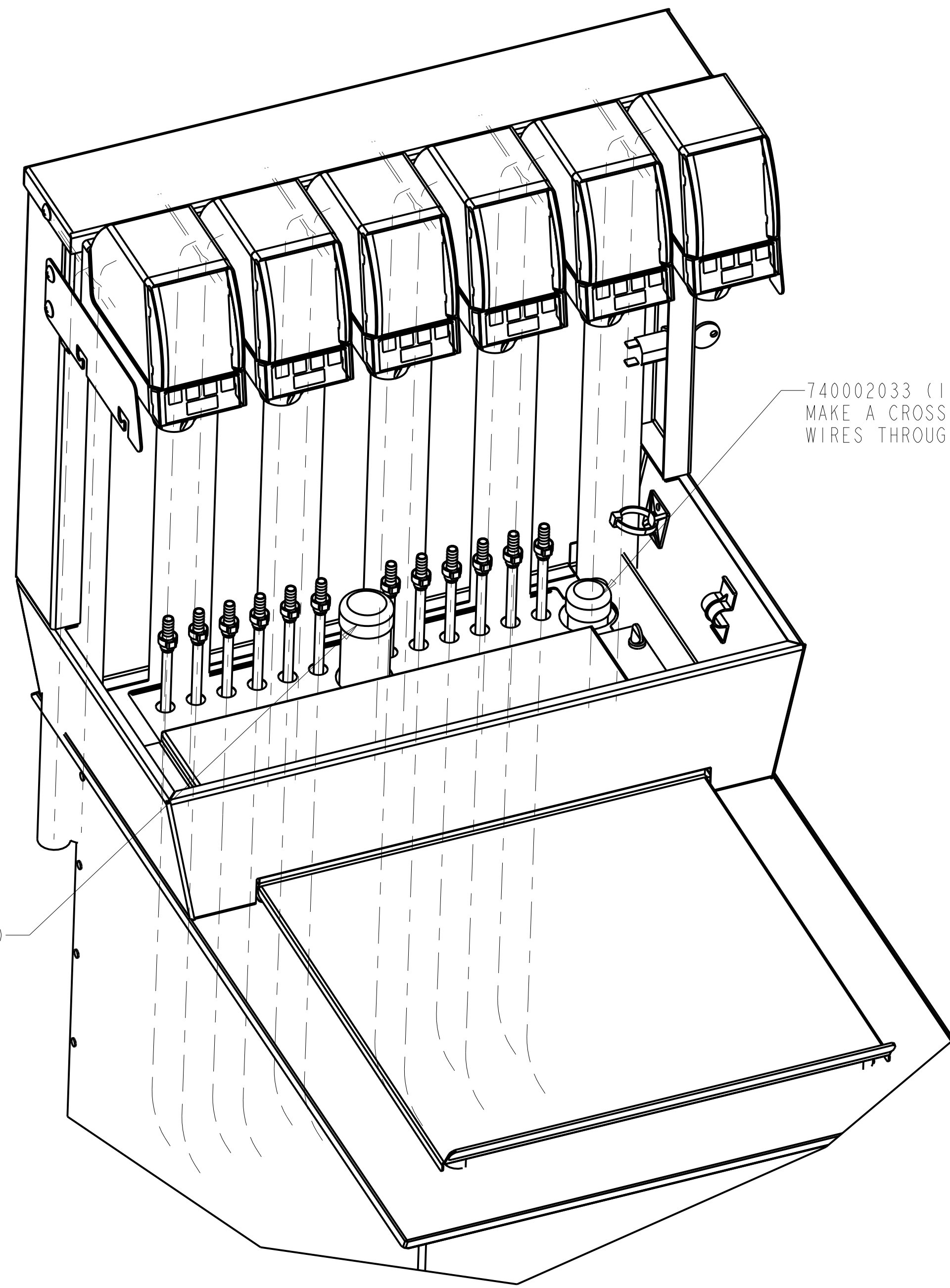
REF FINAL ASY CB1522 STD PERF

DWG NO. 74-0000-288

REV 2

KBM BOM'S OVERRIDE
DRAWING BOM'S CONFLICTS

PART NUMBER	DESCRIPTION	QTY
161168014	SCREW MA 10-32 012TR SS PH	6
162865010	STRAINER CORNER	1
167767001	LABEL NOTICE DISVLV	1
168643003	CAP TUB .38 YL	9
168745001	BOLT, HEX	4
188045000	MEDALLION CORNELIUS 2.578 LGFS	1
311908000	CLAMP OETR 445OPEN STPLS #11.3	12
630150009	DRIP-TRAY DD BLK 18 IN	1
630201218	COVER TWR	1
630201617	LID SLD CB1522	1
630201622	PLATE SANITARY	1
630400272	LABEL SERIAL DECAL BLANK 2X4	2
630901379	BOLT MA 1/4-20 THSH 16	2
740001904	BRKT MOUNT NOZZLE GUARD	1
740001905	SPLASHGUARD PANL	1
740001906	DRIP-TRAY EXTENDER ASSY	1
740001909	CUP-REST 1522SS1	1
740001924	BRKT GUARD RH	1
740001925	BRKT GUARD LH	1
740002024	CAP-PLG 1-5/16 1D	1
740002025	PIPE PVC CAP 3/4 NPT	1
740002033	CAP-PLG 1-1/16 1D	1
740002034	DRAIN FILLER PLATE	1
740002035	LABEL PLMBG WIRING 6VAL	1

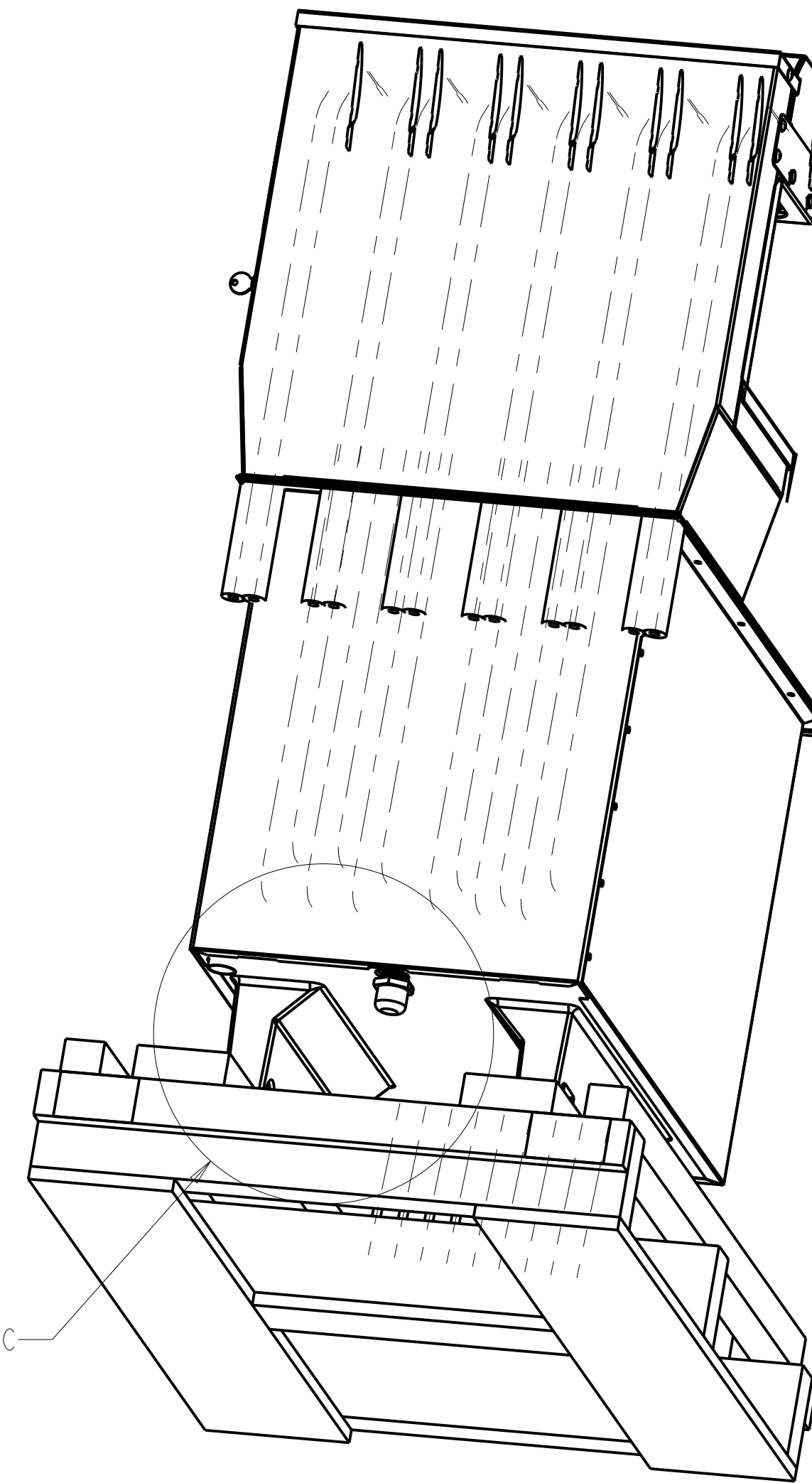


740002024 (1)

SCALE 0.400

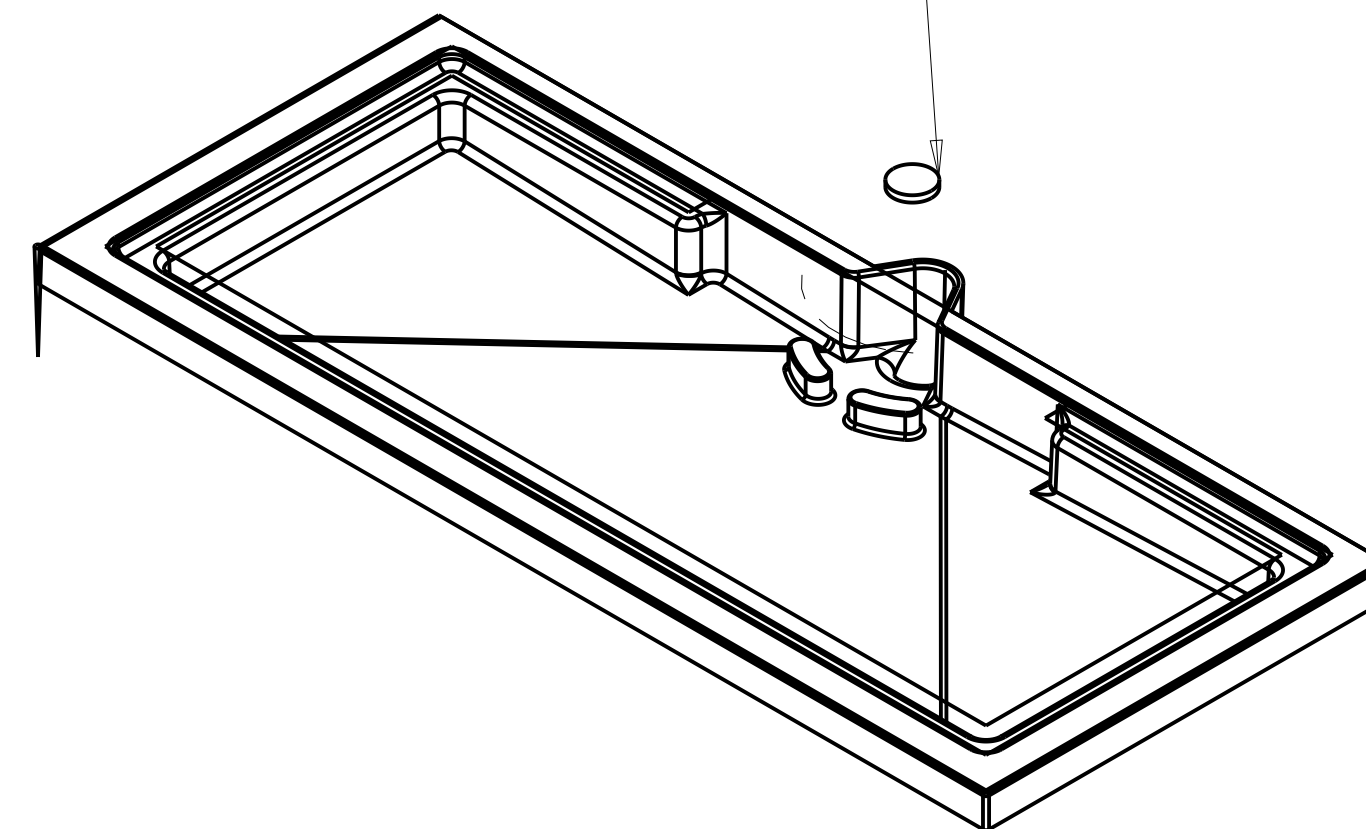
NOTES:

1. ALL STAINLESS FITTINGS AND TUBING ARE TO BE PROPERLY INSULATED AFTER LEAK AND FUNCTIONAL TESTING.
2. COIL AND SECURE WIRE TO BOTTOM OF UNIT WITH TIE CABLE.
3. WRAP PART 740001910 WITH FOAM AND SHIP INSIDE THE UNIT.
4. SILICONE OUTSIDE OF TOWER TO DECO FRAME.
5. SECURE GREEN TOWER GROUNDING WIRE USING THE RIGHT REAR TOWER MOUNTING BOLT.

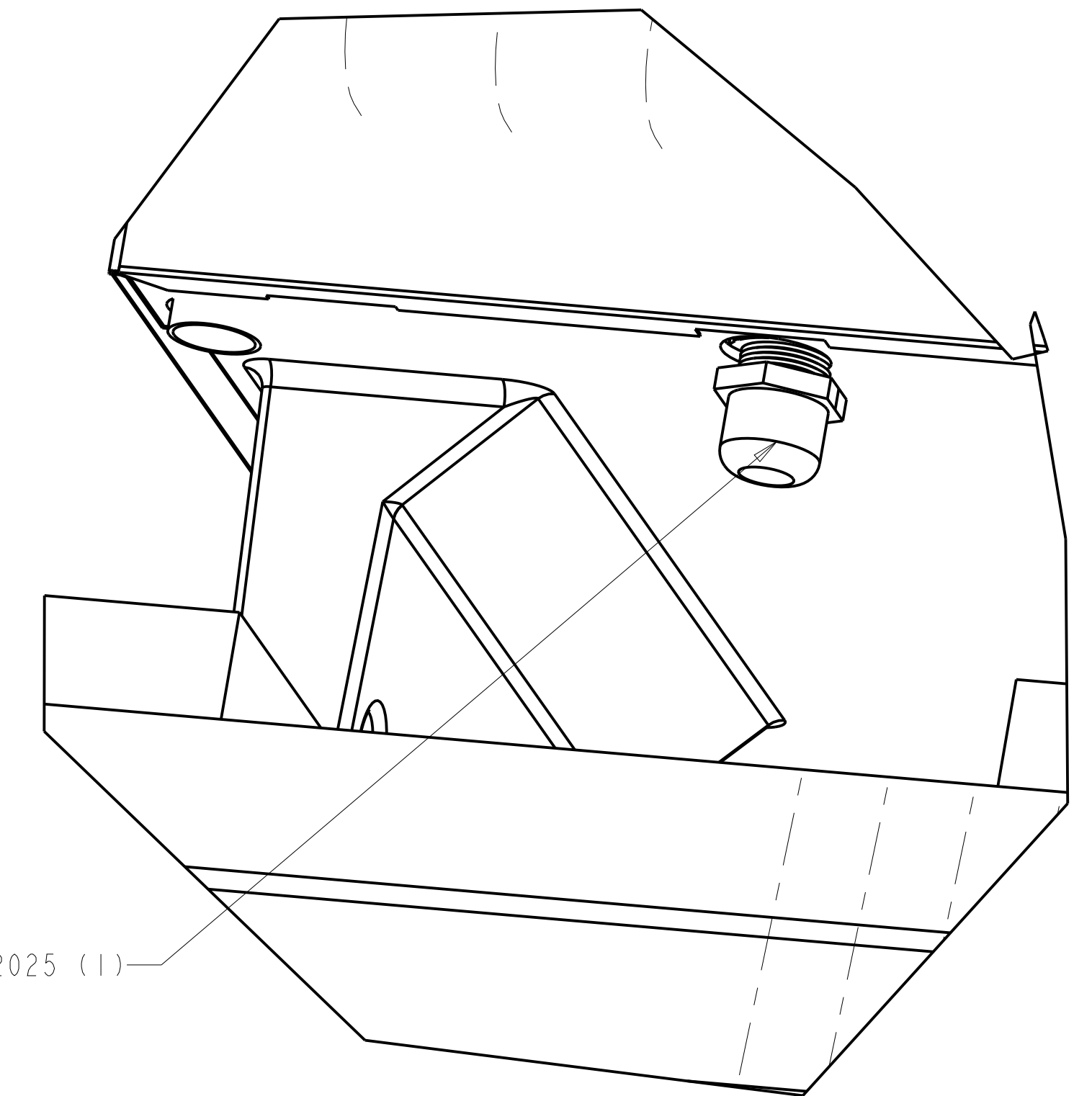


SCALE 0.200

INSERT DRAIN FILLER 740002034 INTO DRIP-TRAY DRAIN WITH LOCTITE AND SEAL ALL SEAMS WITH SILICONE




SCALE 0.375



740002025 (1)

DETAIL C
SCALE 0.650

MATL	SEE BOM			 REYNOSA, MEXICO	
DESC					
FINISH					
DRW'N	M.I.	09/11/15	SCALE	0.063	REF FINAL ASY CB1522 STD PERF
CHECK	J.H.	09/11/15	SHEET	2 OF 2	
APP'D	J.S.	09/11/15	DWG SIZE	D	DWG NO. 74-0000-288
					REV 2