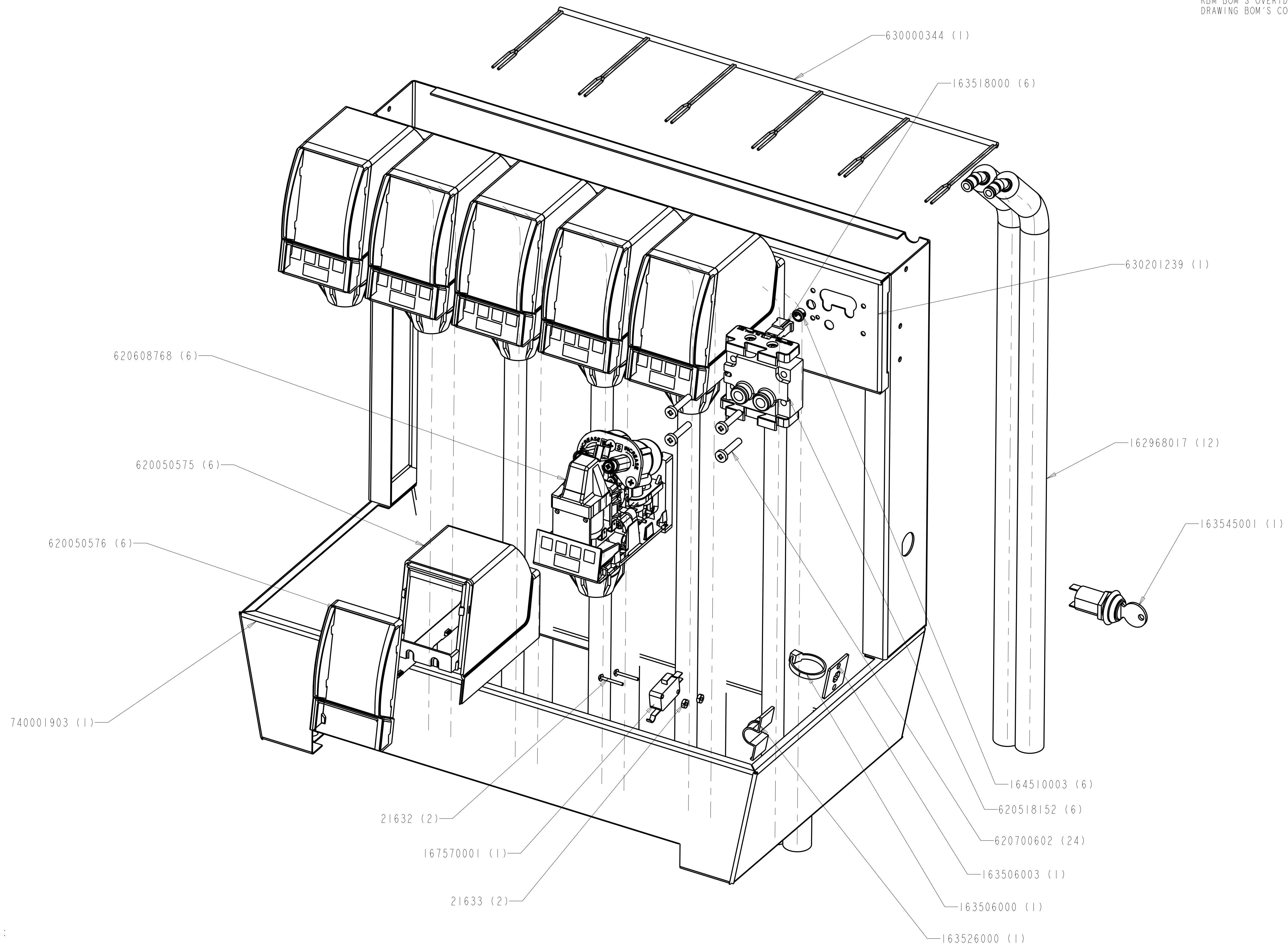


KBM BOM'S OVERRIDE
DRAWING BOM'S CONFLICTS

PART NUMBER	DESCRIPTION	QTY
21632	SCREW MA	2
21633	NUT HEX .04-40 STZL	2
162968017	HOSE .265R 16.00	12
163506000	TIE CABLE 31N	1
163506003	TIE CABLE MNT	1
163518000	CONNECTOR 2CR MATE-N-LOK	6
163526000	CLIP PRESS 1/2 CAP	1
163545001	KEYSWITCH	1
164510003	BUSHING SNAP 312H 2501D 312250	6
167570001	SWITCH VAL LOCK-OUT	1
620050575	COVER VALVE BACK	6
620050576	COVER VAL SFV1 GRAY FNT W/CUTOUT	6
620518152	BLOCK MTG ASY	6
620608768	VAL SFV1PC 1.5-3 L/B&CVR	6
620700602	SCREW TF SM 10-16 RDPH 32 SS	24
620921340	DECAL- KO QUALITY SERVICE CALL	1
630201239	PANEL 6VLV 23"	1
740001903	TOWER W/A 18"	1
630300344	HARN WIRE 6VLV 2CR 3.50SPC	1



NOTES:

1. WIRE THE LOOSE WIRES FROM KEYSWITCH WITH P/N: 163506000 AND 163506003.
2. AFFIX 620921340 LABEL TO HE INSIDE OF THE #1 VALVE.

REV	DESCRIPTION	ECN	REV BY	CHECK BY	APP'D BY	APP'D DATE
1	PRELIMINARY RELEASE		M.I.	J.H.	J.S.	09/10/15

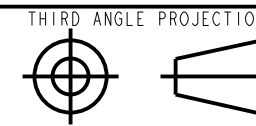
IMPORTANT!
THIS PART MUST MEET RoHS
DIRECTIVE 2002/95/EC

CRITICAL INSPECTION DIM.
(REFERENCE DIM.)
NOT TO SCALE DIM.

NOTICE

THIS DATA IS THE PROPERTY OF
CORNELIUS AND CAN NOT BE
COPIED, REPRODUCED OR OTHERWISE
DISSEMINATED OR USED FOR MAKING
OR PURCHASING OF PARTS THERE OF
EXCEPT UPON WRITTEN CONSENT OF
CORNELIUS. AND ALL DATA
IS TO BE CONSIDERED CONFIDENTIAL
DO NOT SCALE DRAWING

PRO/E DRAWING



DIMENSIONS ARE IN INCHES. TOLERANCE UNLESS OTHERWISE SPECIFIED.	
DECIMALS	
1 PLACE: .XX	±0.01
2 PLACE: .XXX	±0.003
3 PLACE: .XXXX	±0.001
DIAMETERS: ∅	±0.003
ANGLES: ∠	±0.5
ASME Y14.5M 1994 STANDARD	
DO NOT SCALE DRAWING	
EDGES	.005-.015R
	0.13-0.38R
FILLET	.005-.020R
	0.13-0.50R

MATL	SEE BOM
DESC	
FINISH	
DRW'N	M.I. 09/10/15
CHECK	J.H. 09/10/15
APP'D	J.S. 09/10/15
SCALE	0.111
SHEET	1 OF 1
DWG SIZE	D

REYNOSA, MEXICO	
REF TOWER 18" SST 6V STD PERF	
DWG NO.	74-0000-287
REV	1