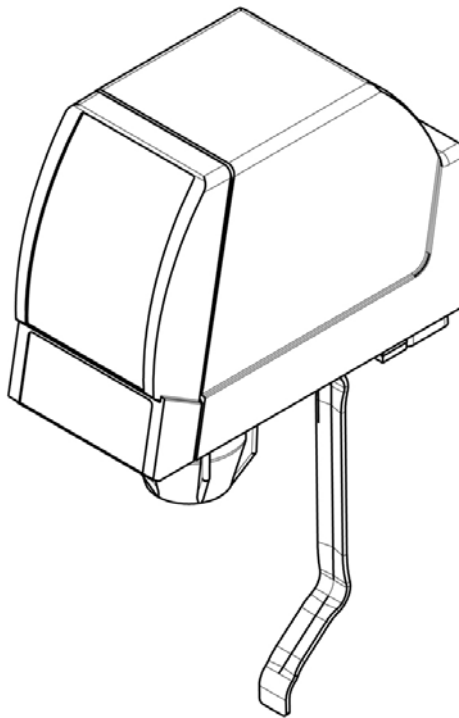


# **MCDONALD'S SFV-1<sup>®</sup> POST-MIX DISPENSING VALVE**

## **Illustrated Parts List**



**Release Date: December 15, 2011**

**Publication Number: 620055338IPL**

**Revision Date: September 25, 2014**

**Revision: F**

**Visit the Cornelius web site at [www.cornelius.com](http://www.cornelius.com) for all your Literature needs.**

The products, technical information, and instructions contained in this manual are subject to change without notice. These instructions are not intended to cover all details or variations of the equipment, nor to provide for every possible contingency in the installation, operation or maintenance of this equipment. This manual assumes that the person(s) working on the equipment have been trained and are skilled in working with electrical, plumbing, pneumatic, and mechanical equipment. It is assumed that appropriate safety precautions are taken and that all local safety and construction requirements are being met, in addition to the information contained in this manual.

This Product is warranted only as provided in Cornelius' Commercial Warranty applicable to this Product and is subject to all of the restrictions and limitations contained in the Commercial Warranty.

Cornelius will not be responsible for any repair, replacement or other service required by or loss or damage resulting from any of the following occurrences, including but not limited to, (1) other than normal and proper use and normal service conditions with respect to the Product, (2) improper voltage, (3) inadequate wiring, (4) abuse, (5) accident, (6) alteration, (7) misuse, (8) neglect, (9) unauthorized repair or the failure to utilize suitably qualified and trained persons to perform service and/or repair of the Product, (10) improper cleaning, (11) failure to follow installation, operating, cleaning or maintenance instructions, (12) use of "non-authorized" parts (i.e., parts that are not 100% compatible with the Product) which use voids the entire warranty, (13) Product parts in contact with water or the product dispensed which are adversely impacted by changes in liquid scale or chemical composition.

### **Contact Information:**

To inquire about current revisions of this and other documentation or for assistance with any Cornelius product contact:

**[www.cornelius.com](http://www.cornelius.com)**

**800-238-3600**

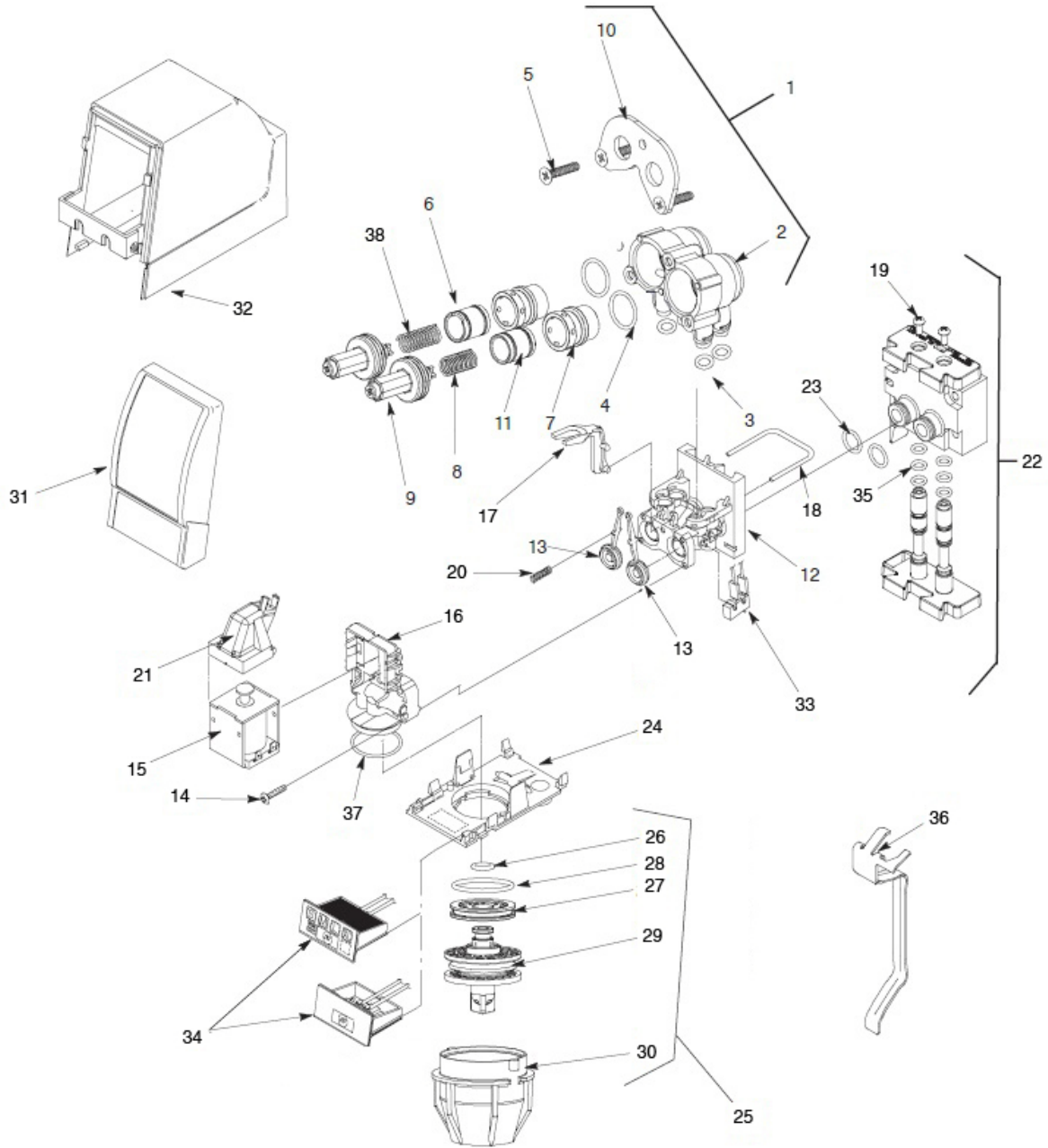
### **Trademarks and Copyrights:**

This document contains proprietary information and it may not be reproduced in any way without permission from Cornelius.

Printed in U.S.A.

**SFV-1<sup>®</sup> POST-MIX DISPENSING VALVE**

<b>Part No.</b>	<b>Type</b>	<b>Flow Rate (Oz/Sec)</b>	<b>Description</b>
620055341	Sanitary Lever	1.5-3.0	Valve only
620055342	Push Button	1.5-3.0	Valve only
620055423	Portion Control	1.5-3.0	Valve only
620059643	Sanitary Lever	2.25	Valve only
620059645	Push Button	2.25	Valve only
620059641	Portion Control	2.25	Valve only
620055343	Sanitary Lever	1.5-3.0	Valve with Cover
620055344	Push Button	1.5-3.0	Valve with Cover
620055563	Portion Control	1.5-3.0	Valve with Cover
620059650	Sanitary Lever	2.25	Valve with Cover
620059651	Push Button	2.25	Valve with Cover
620059649	Portion Control	2.25	Valve with Cover
620055338	Sanitary Lever	1.5-3.0	Valve with Backblock and Cover
620055339	Push Button	1.5-3.0	Valve with Backblock and Cover
620055564	Portion Control	1.5-3.0	Valve with Backblock and Cover
620059642	Sanitary Lever	2.25	Valve with Backblock and Cover
620059644	Push Button	2.25	Valve with Backblock and Cover
620059640	Portion Control	2.25	Valve with Backblock and Cover





Item No.	Part No.	Description
1	620408507	Flow Control Assem. 1.5-3 Oz/Sec. (Wht/Nat.) (Includes 2-11 and 38)
	629097324	Flow Control Assem. 2.25 Oz/Sec. (Wht/Nat) (Includes 2-11 and 38)
2	620715734	Body, flow control 1.5-3 Oz/Sec. (Wht/Nat.)
3	4073	O-Ring, .239 ID
4	620716337	O-Ring, .676 ID
5	620720593	Screw SS #10-15 X3/4" long
6	620052858	Piston Water Reg 1.5-3.0 Oz/Sec.
7	1934	Cylinder Flow Control
	620057920	Cylinder Flow Control (Hy Diet Euro)
8	1940	Spring, Flow Control 1.5-3 Oz/Sec. (Dull)
	620057918	Spring, Flow Control 2.25 Oz/Sec.
9	620720806	Screw Adj Flow Assem. (Gray)
	620720806-1	Screw Adj Flow Assem. (Hy Diet Euro)
10	620046356	Retainer, Flow Control Body (0.120)
11	310480011	Piston Syr Reg. 1.5-3 Oz/Sec.
	560006005	Piston Syr Reg. 2-4 Oz/Sec.
12	1900	Body, Valve
13	1947	Valve, Banjo (Black)
14	2318	Screw, TT 6-19 PAPH 24
15	1918	Solenoid Pull AC
16	620609109	Head, Valve Assy (Includes 38)
17	620316512	Actuator Arm (Brown)
18	1930	Retainer
19	151841000	Screw TT 06-19 RDPH 10 SS

Item No.	Part No.	Description
20	1931	Spring Return Valve
21	560003083	Cover, Solenoid (Black)
22	620518152	Block Mtg Assy (Includes 20, 24, 36)
23	620716338	O-Ring .426 ID
24	1903	Plate, Bottom
25	620715830	Nozzle Assembly Black (Includes 27-31)
26	4073	O-Ring .239 ID
27	1913	Diffuser
28	620716336	O-Ring .926 ID
29	1917	Baffle Inner Assembly, Black
30	1945	Nozzle, Black
31	620050574	Cover Valve Front Sabre Gray
	620050576	Cover Valve Front with Cut-Out Sabre Gray
	1956 1951	Cover Valve Front, Black Cover Valve Front with Cut-Out, Black
32	620050575	Cover Valve Back Sabre, Gray
	1950	Cover Valve Back, Black
33	4263	Switch and Lead Assembly
	560002596	Switch, Micro
	1923	Switch and Lead Assembly, Self-serve
34	2325	Module Assembly, Self-serve
	3518	Portion Control Module
35	620716339	O-Ring .208 ID
36	560003193	Lever, Self-serve (Sanitary)
37	620716340	O-Ring 1.174 ID
38	560006176	Spring, Flow (Shiny)

## ACCESSORIES/KITS

Part No.	Description
0858	Brix Cup 4.75/5.25 Ratio



Part No.	Description
319540000	Separator Syrup S/Tube SFV-1®



Part No.	Description
3297	Water Level Kit





**Cornelius Inc.**  
**[www.cornelius.com](http://www.cornelius.com)**