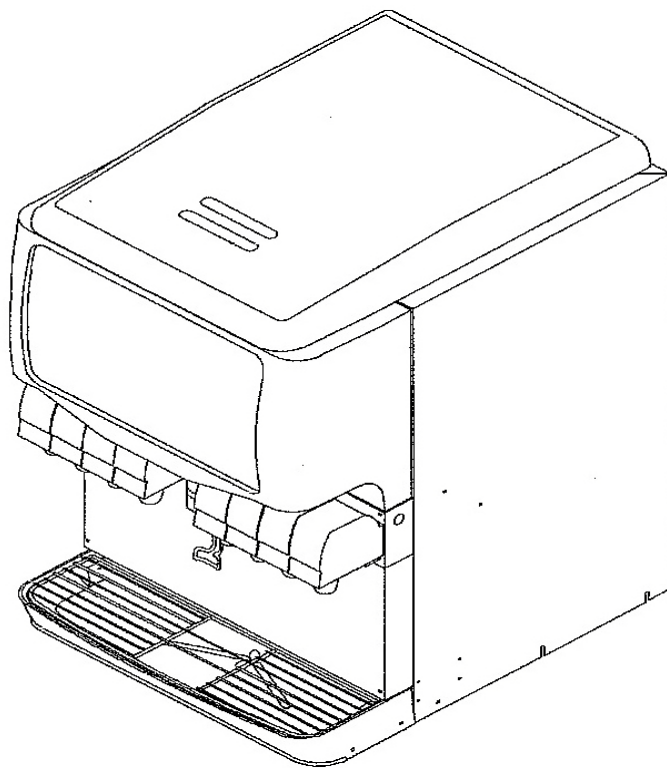


Illustrated Parts List
ICE/BEVERAGE DISPENSER
Model: Enduro-2XX IntelliCarb



Publication Number: 620919516IPL

Revision Date: August 3, 2010

Release Date: Decemebr 11, 2001

Revision: A

Visit the IMI Cornelius web site at www.cornelius.com for all your Literature needs.

The products, technical information, and instructions contained in this manual are subject to change without notice. These instructions are not intended to cover all details or variations of the equipment, nor to provide for every possible contingency in the installation, operation or maintenance of this equipment. This manual assumes that the person(s) working on the equipment have been trained and are skilled in working with electrical, plumbing, pneumatic, and mechanical equipment. It is assumed that appropriate safety precautions are taken and that all local safety and construction requirements are being met, in addition to the information contained in this manual.

This Product is warranted only as provided in Cornelius' Commercial Warrant applicable to this Product and is subject to all of the restrictions and limitations contained in the Commercial Warranty.

Cornelius will not be responsible for any repair, replacement or other service required by or loss or damage resulting from any of the following occurrences, including but not limited to, (1) other than normal and proper use and normal service conditions with respect to the Product, (2) improper voltage, (3) inadequate wiring, (4) abuse, (5) accident, (6) alteration, (7) misuse, (8) neglect, (9) unauthorized repair or the failure to utilize suitably qualified and trained persons to perform service and/or repair of the Product, (10) improper cleaning, (11) failure to follow installation, operating, cleaning or maintenance instructions, (12) use of "non-authorized" parts (i.e., parts that are not 100% compatible with the Product) which use voids the entire warranty, (13) Product parts in contact with water or the product dispensed which are adversely impacted by changes in liquid scale or chemical composition.

Contact Information:

To inquire about current revisions of this and other documentation or for assistance with any Cornelius product contact:

www.cornelius.com

800-238-3600

Trademarks and Copyrights:

This document contains proprietary information and it may not be reproduced in any way without permission from Cornelius.

Printed in U.S.A.

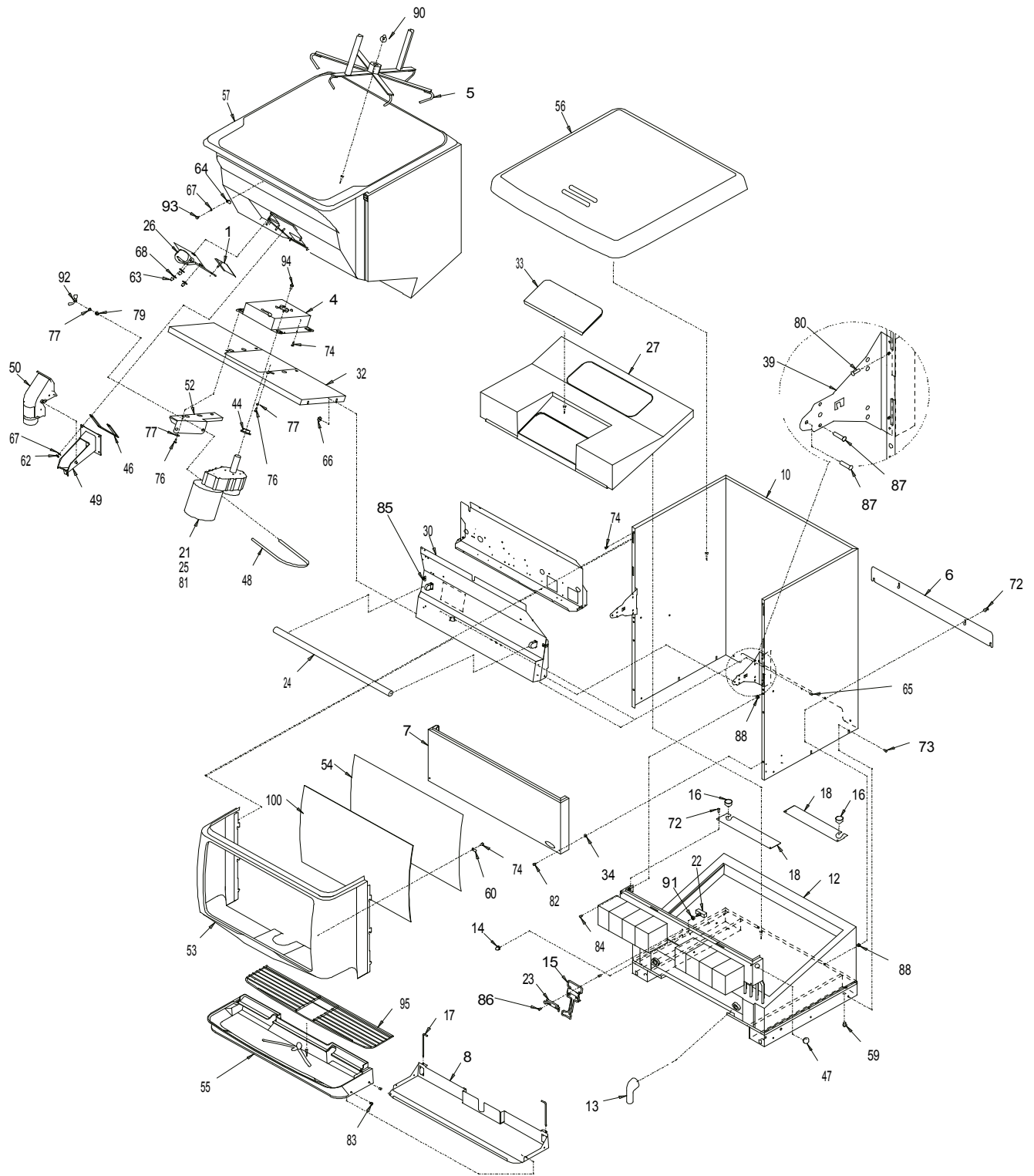


Figure 1. Cabinet Section Exploded View



Item No.	Part No.	Name
1	21491	Slide, Gate
2	22081R	Restrictor, Gate
3	Not Used	
4	29541R	Plate, Motor Mount
5	29694	Agitator
6	29555	Cover, Rear Wrapper
7	629080208	Lower Panel Assy Insul (for drip tray)
	629080204	Lower Panel Assy Insul (Z = no drip tray)
8	620028702	Support, Drip Tray (Use for units built after 11/15/98)
	15093	Sink Extension (Use for units built on or before 11/15/98)
9	Not Used	
10	29547	Cabinet
11	Not Used	
12	Contact Sales	Panel/Cold Plate/Valve Ass'y
13	53011	Fitting, Cold Plate
14	31007	Boot, Switch
15	15500	Dispense Lever, Short (Cup Activated)
	15502	Push Lever Ice Dispense
	50767	Snap Bushing
17	10145	Pin, Drip Tray
18	15090	Baffle, Beverage Panel
19	Not Used	
20	Not Used	
21	30794	Agitator Motor Heater 120 Volt
	32826	Agitator Motor Heater 220-240 V
22	02070	Dispense Switch Kit (includes actuator switch, boot, and spacer)
23	27107	Retainer, Ice Dispense lever
24	31928	Bulb, Florescent
25	629088531	Agitator Motor Replacement Kit (for units built prior to SN 62A0540ED248)
	620314922	Agitator Motor (for units built beginning with SN 62A0540ED248)
	33404	Agitator Motor 220-240 Volt
26	32954	Solenoid Ass'y 120 Volt
	33409	Solenoid Ass'y 220-240 Volt
27	620046006	Cover, Foamed Cold Plate
28	Not Used	
29	Not Used	

Item No.	Part No.	Name
30	620302501	Electrical Box Ass'y, 120V (ED200 Models)
	620302502	Electrical Box Ass'y, 120V (ED250 Models)
	620310201	Electrical Box Ass'y, 220-240V (ED 200 Models)
	620310202	Electrical Box Ass'y, 220-240V (ED 250 Models)
31	Not Used	
32	620045909	Bracket, Motor Mount
33	620046008	Cover, Access (Cold Plate)
34	71010	Washer, Captivating No. 8
35	Not Used	
36	Not Used	
37	Not Used	
38	Not Used	
39	620019701	Hinge Gusset
40	Not Used	
41	Not Used	
42	Not Used	
43	Not Used	
44	53199	Seal, Motor
45	Not Used	
46	51891	Gasket, Gate
47	***51908	Plug
48	71025	Strap, Motor
49	620500901	Ice Chute
50	53168	
51	Not Used	
52	15132	Motor Mount
53	52912	Merchandiser, Black, (ED250)
	52911	Merchandiser, Black, (ED200)
	15754	Merchandiser, S.S., (ED250)
	15755	Merchandiser, S.S., (ED200)
	620011505	Merchandiser, S.S., (For Lid and Straw Holder ED250)
	620011509	Merchandiser, S.S., (For Lid and Straw Holder ED200)
	620011506	Merchandiser, S.S., (For Medallion ED250)
	620011510	Merchandiser, S.S., (For Medallion ED200)
	620011507	Merchandiser, S.S., (For Low Ice Light ED250)
	620011511	Merchandiser, S.S., (For Low Ice Light ED200)
54	52950	Panel, Inner (use for ED250 24.81 x 12.11)
	52949	White Lense (use for ED200 24.81x11.11)
55	53210	Drip Tray, Black, Insulated



Item No.	Part No.	Name
56	52909	Lid, Dispenser, Black
57	52960	Hopper Ass'y, Insulated (ED250)
	52916	Hopper Ass'y, Insulated (ED200)
58	Not Used	
59	52967	Plug, Foot
60	52972	Tab, Retaining
61	Not Used	
62	70016	Hex Nut, No. 10-32
63	70017	Hex Nut, No. 10-32, Nyloc
64	53299	Tab, Retaining
65	70242	Screw, No. 10-32 By 3/8" Long
66	70015	Hex Nut, No. 10-32, Keps
67	70056	Washer, No. 10
68	70067	Washer, 7/32 I.D. x 7/8 O.D. x 3/64 Thk Plated
69	Not Used	
70	Not Used	
71	Not Used	
72	70171	Screw, No. 8-32 By 3/8-In. Long
73	70178	Screw, No. 8-32 By 1/2-In. Long
74	70204	Screw, No. 8 By 1/2-In. Long
75	Not Used	
76	71033	Screw, 3/8-16 By 3/4-In. Long
77	70068	Washer, 3/8 I.D. x 11/16 O.D. x .070 Thk
78	Not Used	
79	71061	Washer, 7/16 I.D. x 1 1/8 O.D. x .063 Thk
80	70320	Pop Rivet, 1/8 Dia.
81	70341	Spring, Motor Heater
82	71006	Screw, No. 8-32 By 1 1/8-In. Long
83	70478R	Clip, Push-on
84	70555	Screw, No. 8-32 By 2 5/8-In. Long
85	620022801	Brace, Reflector
86	620701601	Sheet Metal Screw, No. 10 By 1/2-In. Long
87	70456	Pop Rivet, 3/16 Dia.
88	70959	Hex Nutsert, No. 8-32
89*	70970	4" Black Plastic Leg
90	15087	Retainer, Agitator
91	70847	Spacer, Switch
92	71059	Wing Nut, 3/8-16
93	71089	Shoulder Screw, No. 8-32
94	71028	Shoulder Screw, 1/4-20

Item No.	Part No.	Name
95	71039	Cup Rest
	71094	Cup Rest Optifill (Slanted)
96*	51288	Adapter, 1-In. Barb By 3/4 MPT (For Drip Tray Drain)
97*	50952	Adapter, 3/4 Soc By 3/4 FPT (For Drip Tray Drain)
98*	70750	Hose Clamp (For Drip Tray Drain)
99*	620702201	Brush, Cold Plate Cleaning
100	92079	Generic Graphics ED200 (11.083 x 24.794) 3 Cups Refreshing
	92080	Generic Graphics ED250 (15.083 x 24.794) 3 Cups Refreshing
	92046	Pepsi Graphics ED200 11.083 x 24.794
	92047	Pepsi Graphics ED250 15.083 x 24.794
*	08052	Splashguard Kits (two clear side guards)
*	629080104	Kit Sink to Z Style ED2XX (Z = no drip tray or cup rest. This kit removes tray and cup--rest. Allows unit to sit on counter with built-in tray and cup--rest.)
*	629080304	Kit Z Style to Sink ED2XX - Gray (Z = no drip tray or cup rest. This kit adds drip tray and cup-rest to unit.)
*	629080303	Kit Z Style to Sink ED2XX - Black (Z = no drip tray or cup rest. This kit adds drip tray and cup-rest to unit.)
*	629088344	Kit Sink to Z Style ED2XX - (Z = no drip tray or cup rest. This kit removes drip tray and cup-rest. Allows unit to sit on counter with built-in tray and cuprest.)
*	629088348	Kit Z Style to Sink ED2XX - Black (Z = no drip tray or cup rest. This kit adds drip tray and cup-rest to unit.)
*	91974	Pepsi Decal ED200/ED250 (20.97x14.75) Cup Splash
*	92302	Pepsi Bottle Cap (Medallion)
*	32977	Keylock Switch (includes keys)
*	70739	Key (marked D001)

NOTE: *NOT SHOWN

***FOR 220-240V MODELS, 51908 PLUG REPLACED BY 620303001 PUSH-BUTTON SWITCH ACTUATOR AND 620303002 SWITCH BLOCK

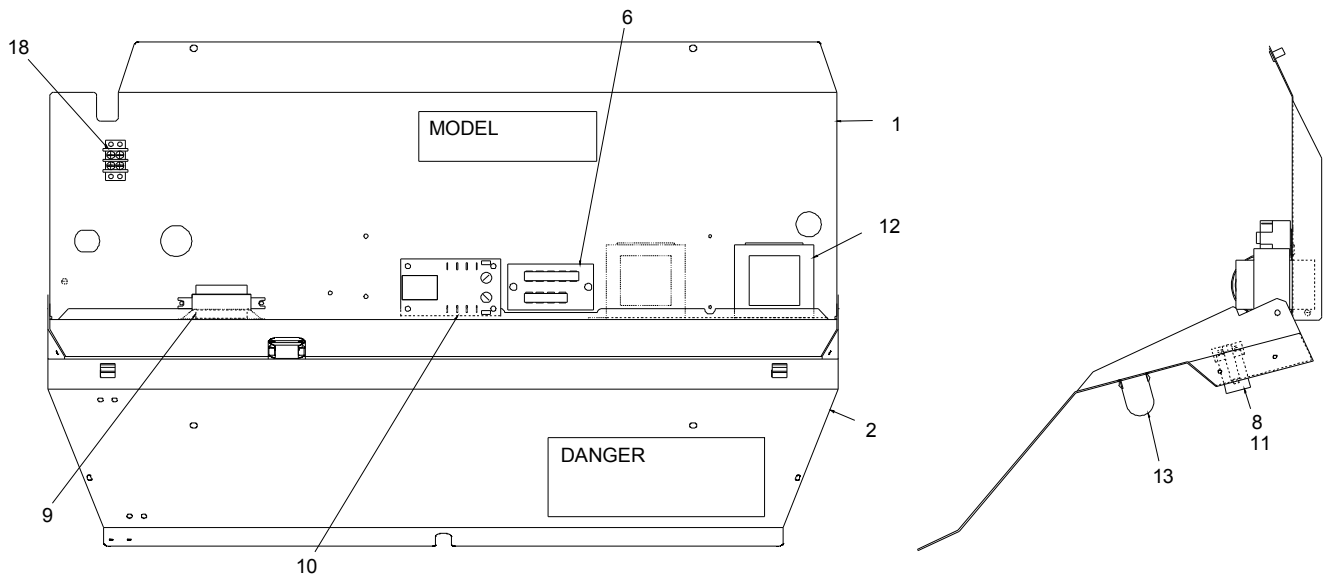
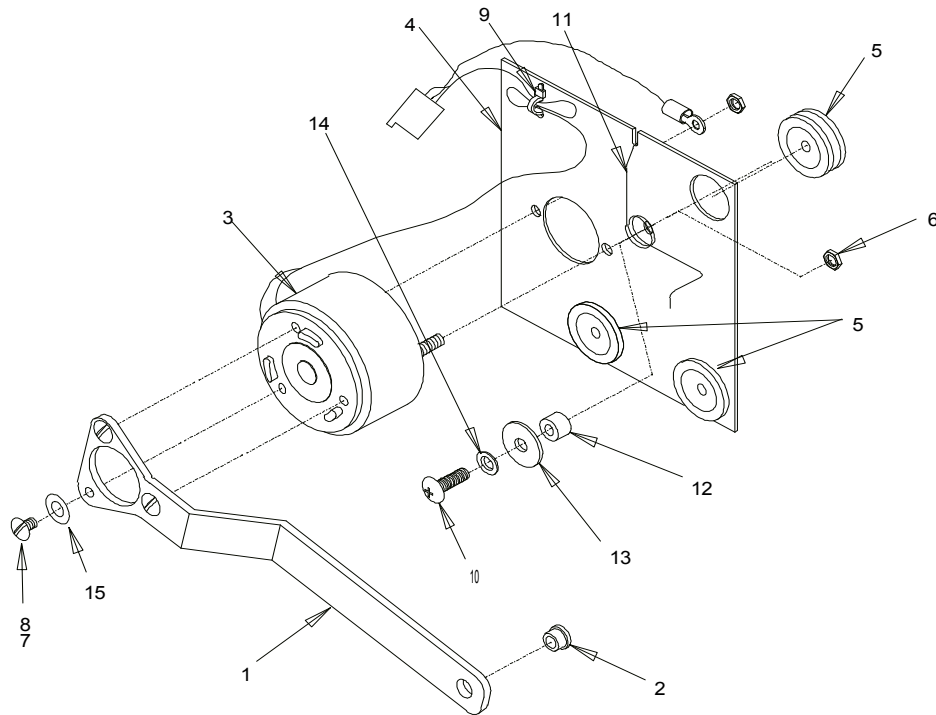


Figure 2. Electrical Box Assembly

Item No.	Part No.	Name
1	620022001	Electrical Box (ED250)
	620020902	Electrical Box (ED200)
2	620022101	Reflector Panel (ED250)
	620020901	Reflector Panel (ED200)
3	620021101	Clamp, Capacitor
4	33160R	Capacitor, Agitator Motor
5	30995	Power Cord, 120 Volts
	620302901	Power Cord, 220-240 Volts
6	30960	Terminal Board, 120 Volts
	31107	Terminal Board, 220-240 Volts
7	Not Used	
8	31620	Starter
9	31621	Ballast, 120 Volts
	33662	Ballast, 220-240 Volts
10	629087448	Agitation Timer Kit 120 V
	629087451	Agitation Timer Kit 220-240 V
11	620302201	Socket, Starter
12	32682	Transformer, 120 Volts
	32829R	Transformer, 220-240 Volts
13	620302101	Lampholder
14	620306601	Relay, Start, 220-240 Volts
15	Not Used	
16	620304601	Varistor, 220-240 Volts
17	620307301	Filter, 220-240 Volts
18	32244	Terminal Strip, 220-240 Volts


Figure 3. Solenoid Assembly

Item No.	Part No.	Name
1	28173	Arm, Gate Lift
2	50754	Bearing, Gate Arm
3	32957	Solenoid, 120 Volts
	33397	Solenoid, 220-240 Volts
4	28172	Plate, Solenoid Mounting
5	50752	Isolator
6	70015	Hex Nut, No. 10-32
7	51689	Locktite
8	70162	Screw, No. 8-32 By 1/4-In. Long
9	50705	Tie Cable
10	70165	Screw, No. 8-32 By 5/8-In. Long
11	71007	Spring, Solenoid Arm
12	51348	Spacer
13	70067	Washer, .218 I.D. By .875 O.D.
14	70057	Lockwasher, No. 10
15	70052	Flatwasher, No. 8
N/A	70485	Gate Slide Spring (attaches to gate lift arm. Need 2)

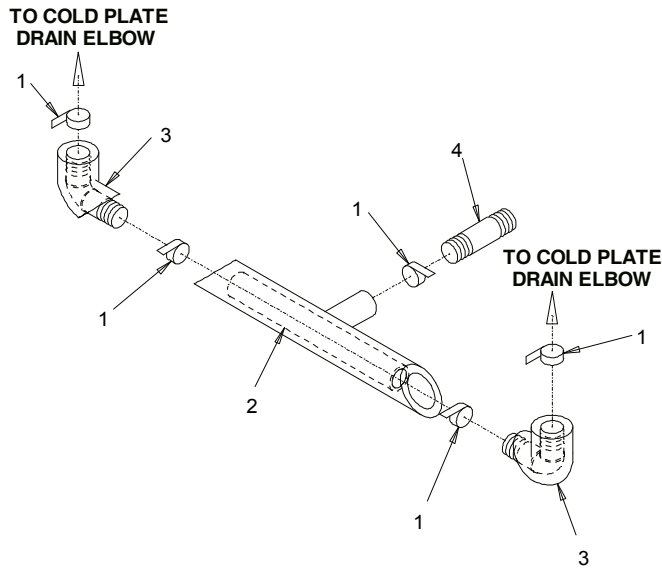


Figure 4. Cold Plate Drain For Z Style Units

Item No.	Part No.	Name
1	70750	Hose Clamp
2	53170	Drain Tube
3	51280	Elbow
4	53293	Coupler

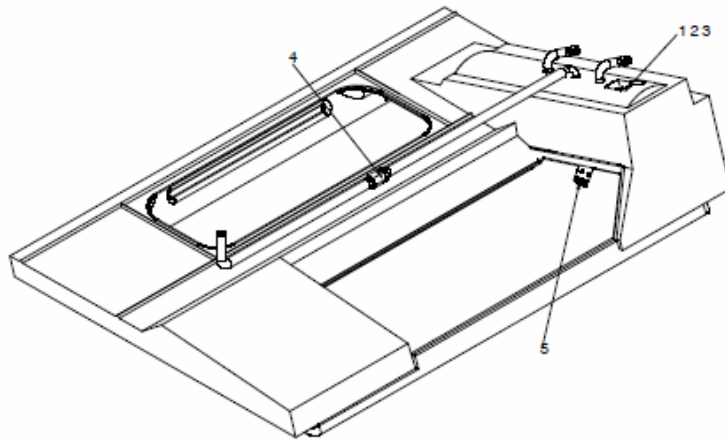
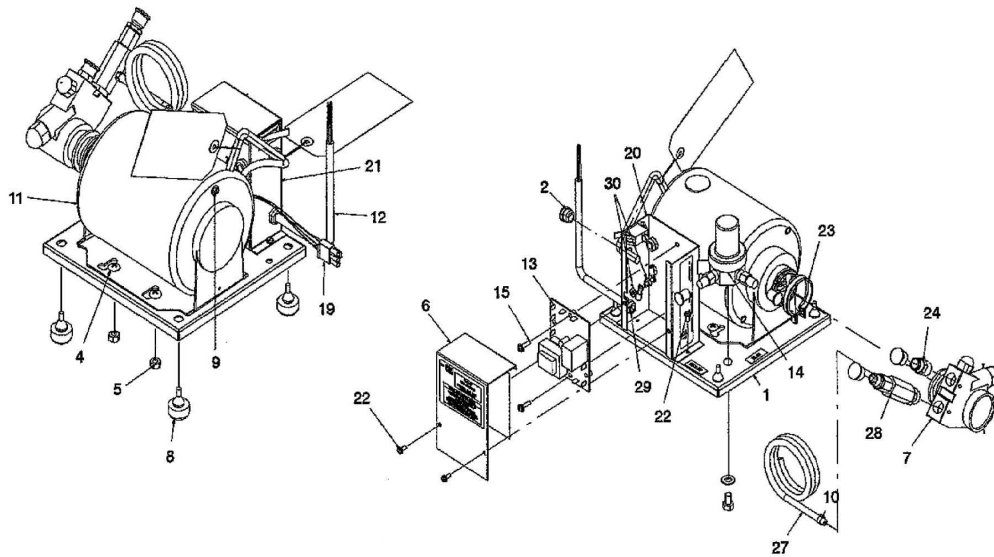


Figure 5. Carbonator Assembly

Item No.	Part No.	Name
1	560004687	Probe
2	560005109	Wire Harness (Not Shown)
3	31525007	O-Ring
4	65259	Single Check Valve Service Kit
5	312947000	Stem Ass'y
N/A	629087502	Carb Tank Field Replacement Kit


Figure 6. Pump And Motor Assembly

Item No.	Part No.	Name
1	620045738	Base, Pump and Motor
2	395098000	Strain Relief
4	60009002	Machine Screw, Phil Truss Hd, 1/4-20 By 1/2-In. Long
5	189429000	Hex Nut, 1/4-20
6	560004888	Cover, Level Control
7	60170	Pump, 125 GPH
8	396115010	Foot
9	319941000	Thread Rolling Screw, Hex Washer Hd, No.8-32 By 3/8-In. Long
10	311527000	Clamp, Check Valve to Tube
11	60030058	Motor, 1/3 H.P. 120V 60HZ
12	560004737	Service Cord
13	620314404	Liquid Level Control
14	620709802	Regulator, Secondary
15	0702605	Machine Screw, Phil Rd Hd, No. 8-32 By 1/4-In.Long

Item No.	Part No.	Name
19	560005110	Wire Harness
20	560004734	Control Box
21	84702060	Cord Ass'y
22	60068048	Thread Cutting Screw, SI Hex Hd, No. 8-32 By 3/8-In. Long
23	187483000	Clamp, Pump to Motor
24	21247013	Fitting, Straight, 3/8-MPT By 3/8-Flare
27	174004000	Tube, .156 I.D. By 20-In. Long
28	0881	Check Valve Ass'y, Vented, 3/8 - MPT By 5/8-18
29	319453000	Strain Relief
30	200498003	Hex Nut, No. 8-32
*	629087457	Carbonator Pump & Motor Assem.

* Not Shown

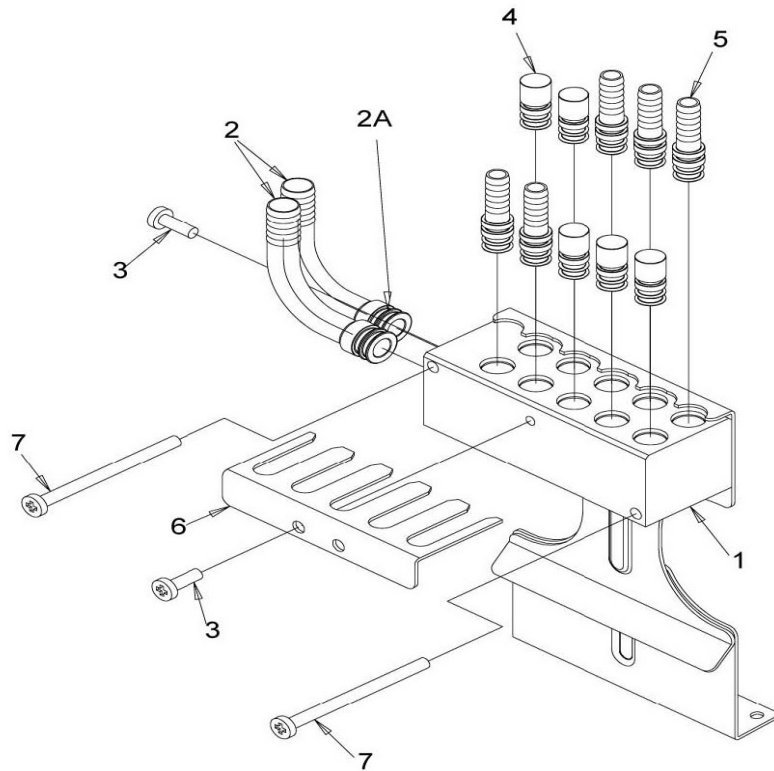


Figure 7. Water Manifold Assembly

Item No.	Part No.	Name
1	620407728	Manifold Flex
2	620709065	Fitg Elbow 1/2 X 3/8 Brb
2A	100057	O--ring
3	70204	Screw SM #8 X 1/2
4	620519005	Plug 3/8 w/O--ring
5	620709066	Fitg Straight 3/8 X 1/4 Brb
6	620046316	Retainer Clip
7	620706632	Screw TRPH #8--18 X ZWaxed
*	620711913	Insulation Block, RH
*	620711914	Insulation Block, LH

* Not Shown

IMI Cornelius Inc.
www.cornelius.com