



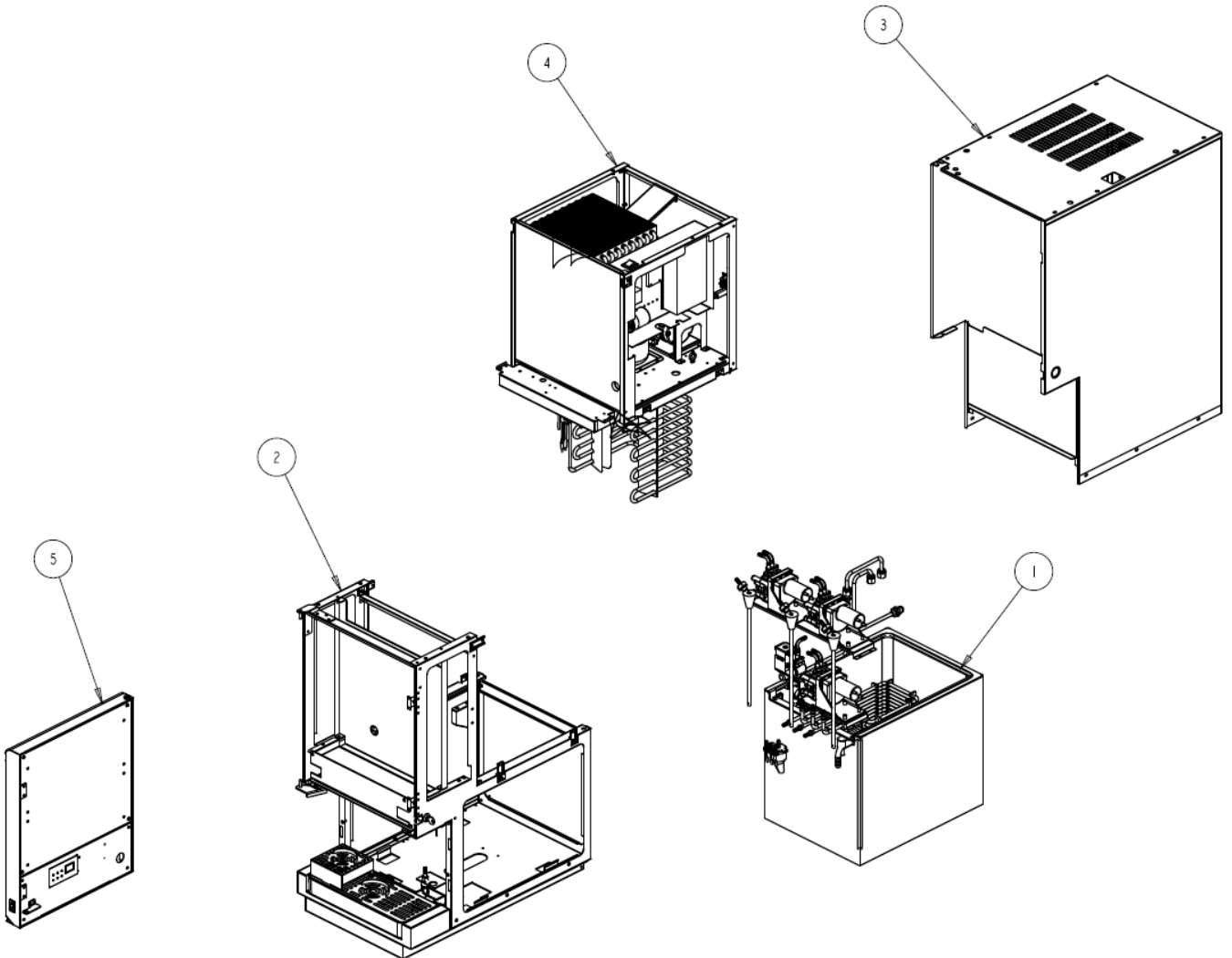
Bubble R134a
ILLUSTRATED PARTS LIST





ILLUSTRATED PARTS LIST

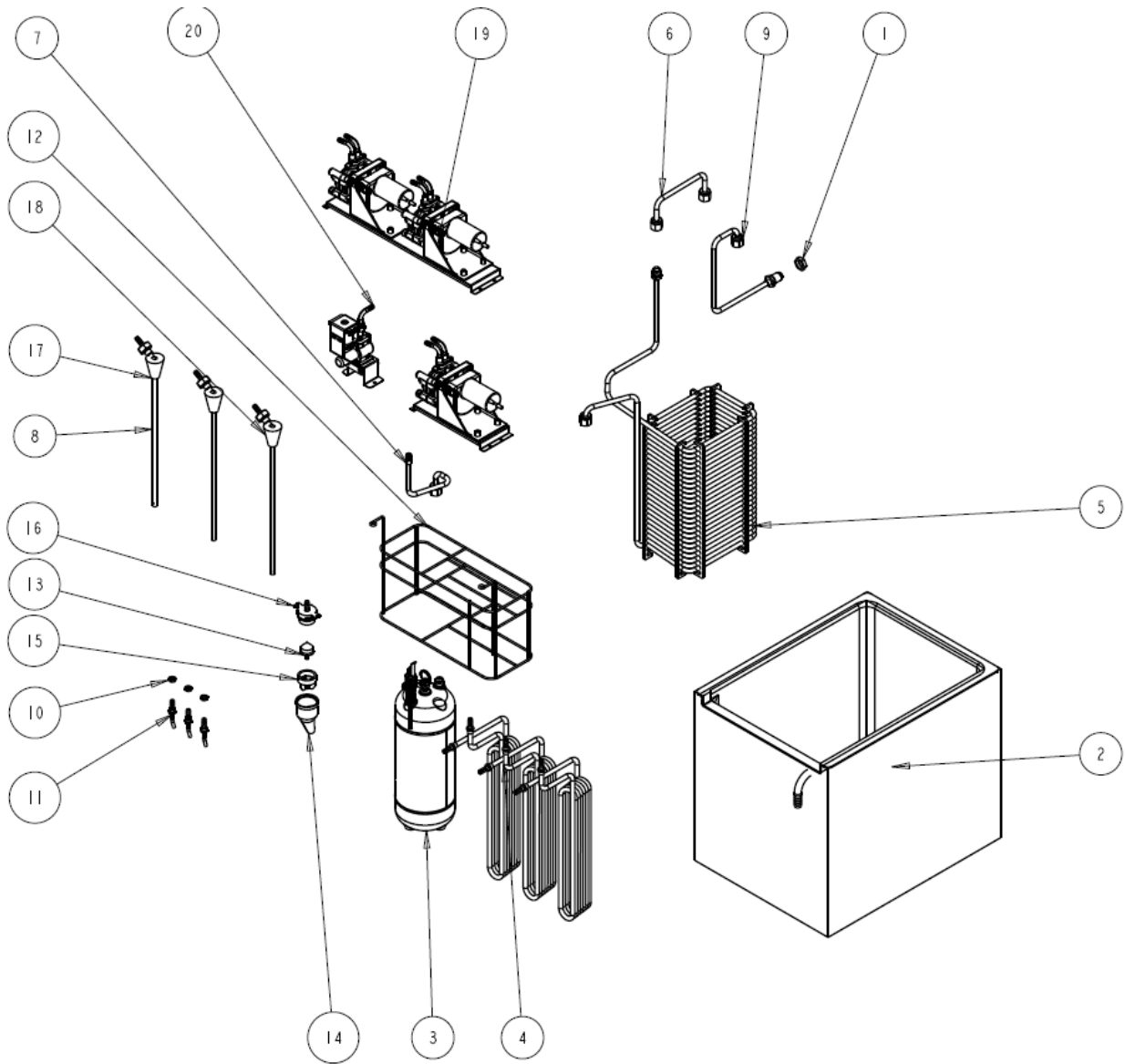
GENERAL ASSEMBLY



Item NO.	Part NO.	Name
1		水浆管组件 Water coil assembly
2		主结构组件 Main structure assembly
3		围板组件 Cladding assembly
4		制冷系统组件 Refrigerator deck assembly
5		灯箱组件 Merchandiser assembly



WATER COIL ASSEMBLY





Item NO.	Part NO.	Name
1	890526301	泄压阀螺母 Nut for relief valve
2	890567305	水箱 Water tank
3	890751601	碳化罐 Carb tank
4	890752401	浆管 Syrup coil
5	890752402	水管 Water coil
6	890752403	连接水管 Connect water coil
7	890752405	碳酸水管 CSD Tube
8	890752406	酒管 Wine syrup tube
9	890752407	水泵进水管 Water in Pump tube
10	890756201	螺母_M10 NUT_M10
11	890756703	酒嘴 Nozzle wine

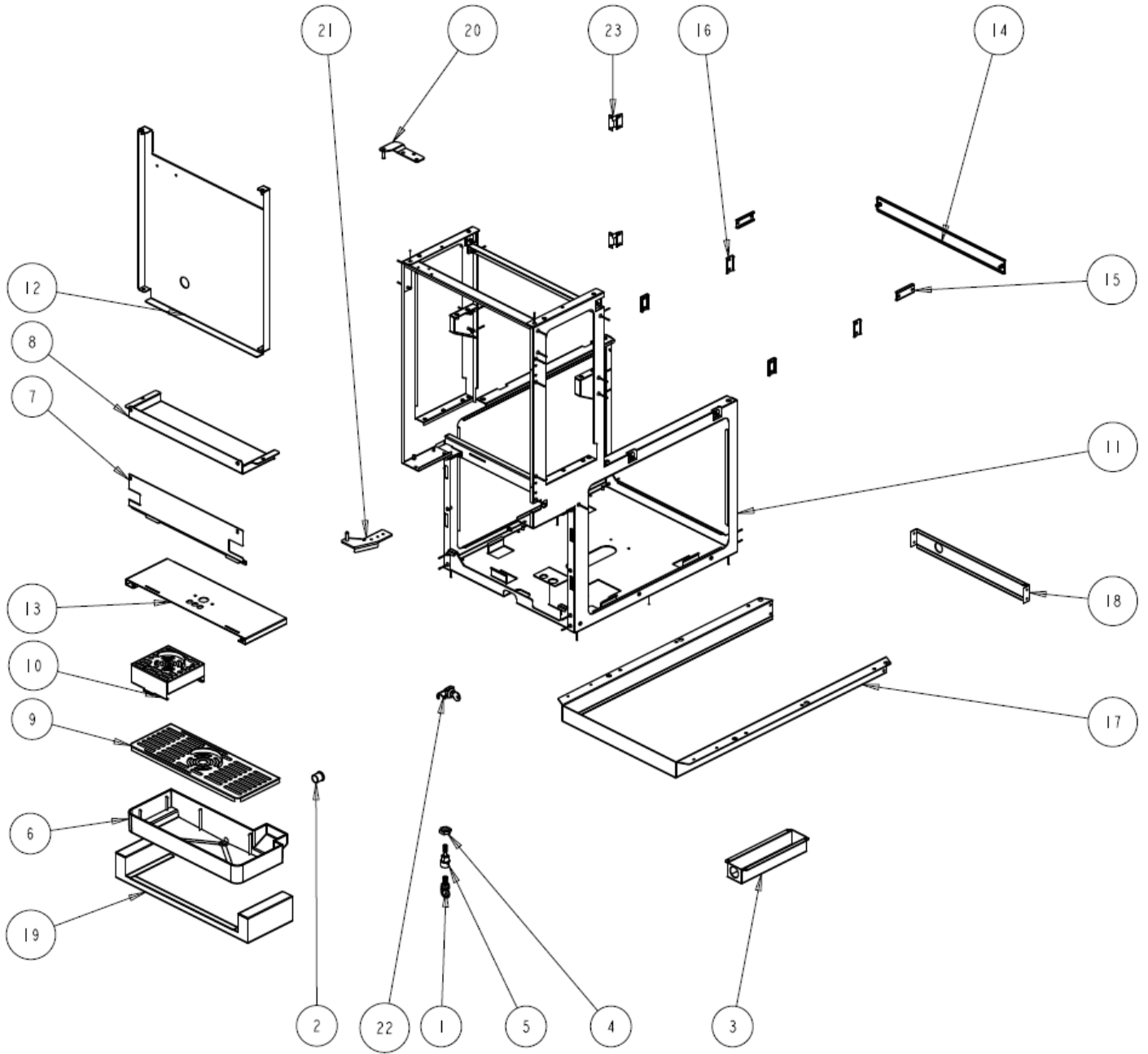
Item NO.	Part NO.	Name
12	890756704	水蓝 Frame coil
13-1	890756706	阀芯 Valve core
13-2	890756712	阀芯韩国 Valve core KR
14	890756707	阀嘴 Valve nozzle
15	890756708	阀支撑 Core holder
15-2	890756711	阀支撑韩国 Core holder KR
16	890756709	阀腔 Valve cavity
17	890757604	瓶塞 1 Cork 1
18	890757605	瓶塞 2 Cork 2
19	45185	蠕动泵 Peristaltic pump
20	620608747	水阀 Brix Module-Water

备注：阀嘴 13, 14, 15, 16 整合为组件：891751001 机型，对应编号：890754807

891752002 机型，对应编号：890754808



MAIN STRUCTURE ASSEMBLY



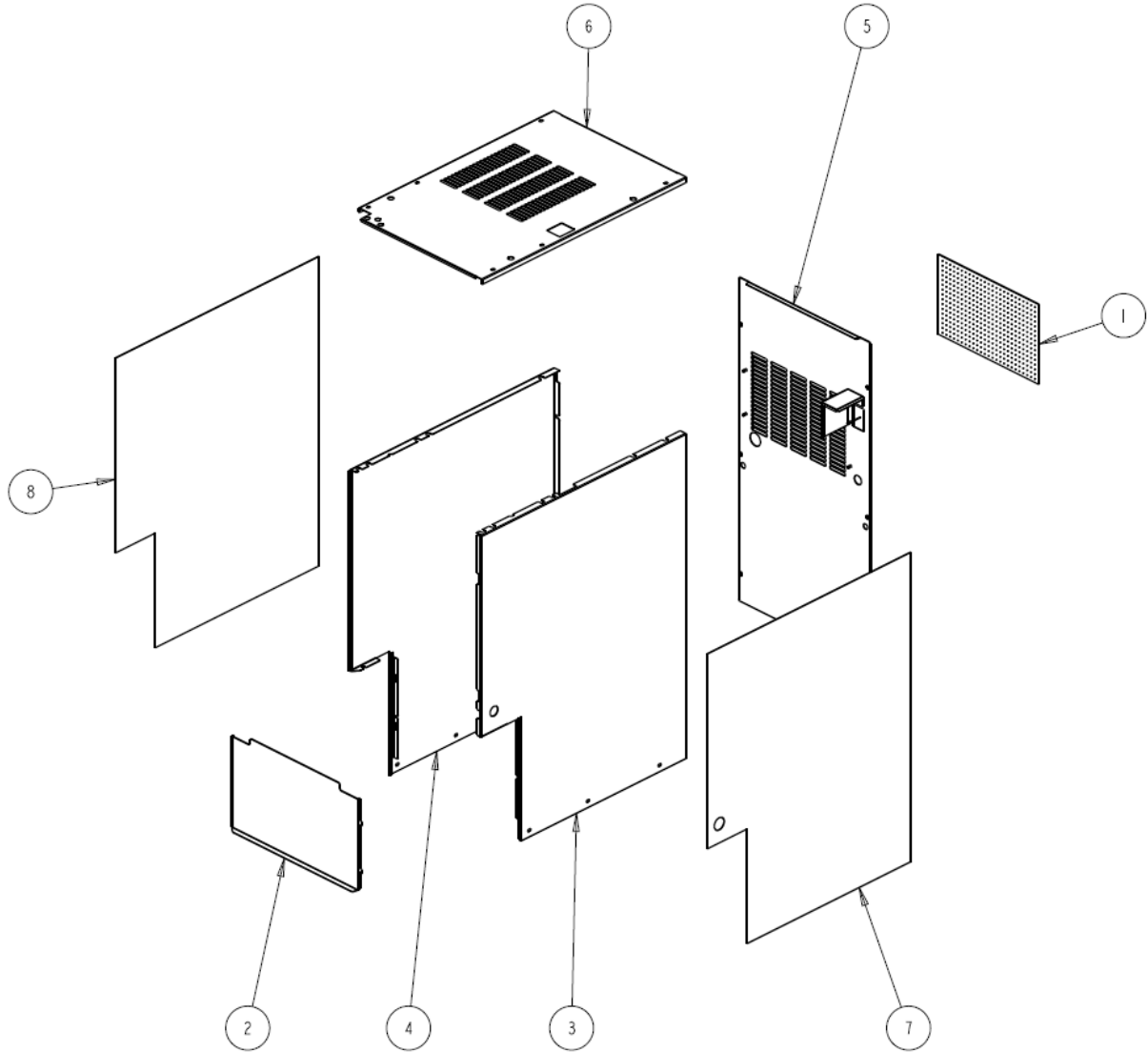


Item NO.	Part NO.	Name
1	318362000	泄压阀拉环 STEM ASSY R-VAL YEL
2	890137612	接水盒堵帽 Cap
3	890521229	排水管上盖 Drain house cover
4	890526301	泄压阀螺母 Nut for relief valve
5	890526704	泄压阀主体 BODY RELIEF VALVE
6	890566705	接水盒 DRIPTRAY
7	890751101	阀嘴挡板支架 DIVISION BRACKET NOZZLE
8	890751103	酒瓶支架 BRACKET WINE
9	890751106	大杯架 BIG CUP HOLDER
10	890751107	小杯架 SMALL CUP HOLDER
11	890751201	拉铆主框架 STRUCTURE RIVET
12	890751202	阀挡板 VALVE DIVISION PLATE

Item NO.	Part NO.	Name
13	890751203	阀嘴支架 BRACKET NOZZLE
14	890751213	后侧支架 BRACKET BACK
15	890751214	连接支架 BRACKET BETWEEN
16	890751215	连接支架 02 BRACKET BETWEEN 02
17	890751505	底座支架 BASE FRAME
18	890751506	后侧底座支架 BASE FRAME BACK
19	890751508	接水盒支架 DRIP TRAY SUPPORT
20	890751510	顶板 DINGBAN BUBBLE
21	890751511	门板 N FLOOR BUBBLE
22	220099909	门锁 Door lock
23	890556726	门碰 Door stop



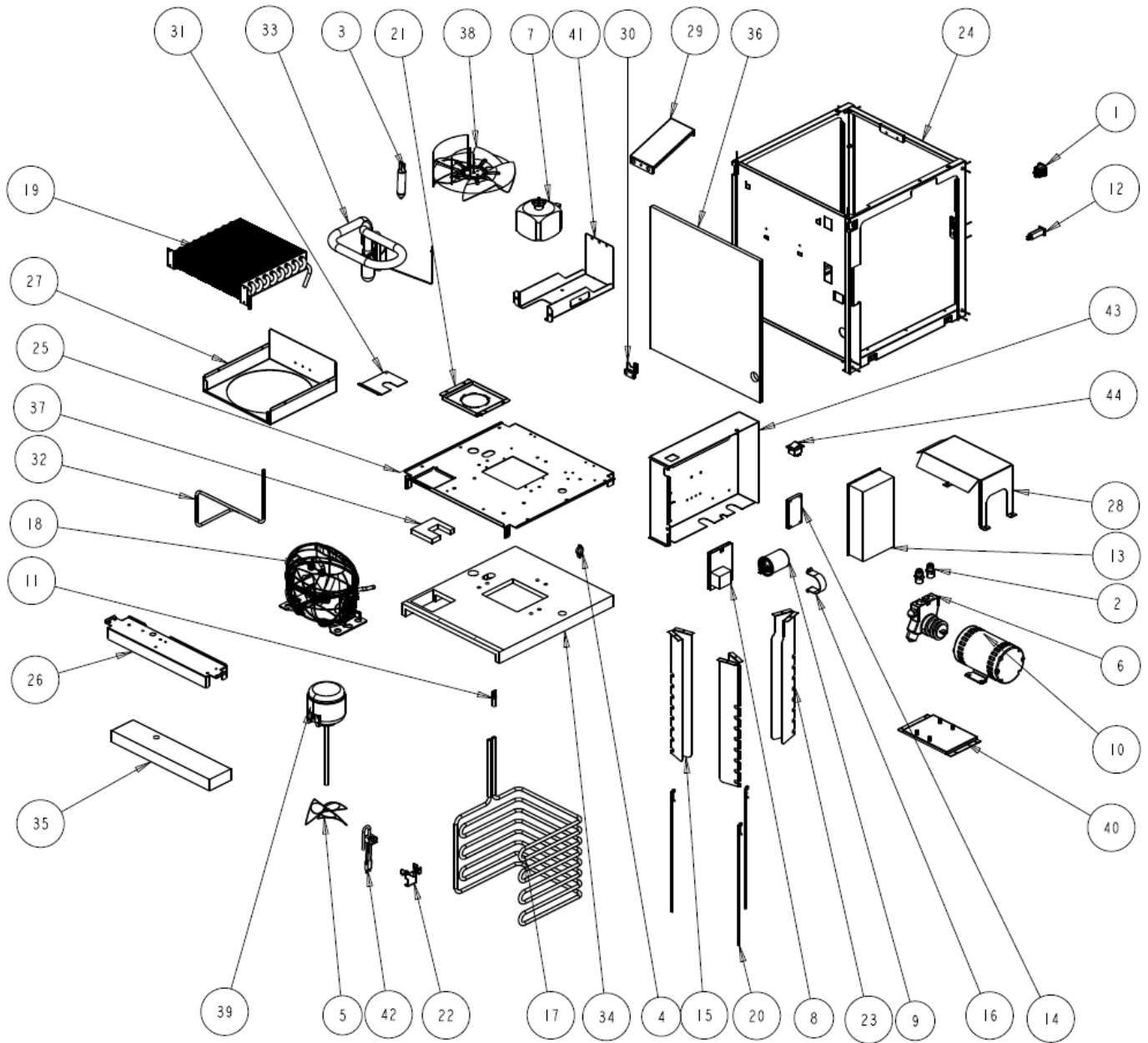
CLADDING ASSEMBLY



Item NO.	Part NO.	Name
1	890546703	滤网 Filter
2	890751111	带 Logo 防溅板 Splash with logo
3	890751501	右侧围板 Cladding right
4	890751502	左侧围板 Cladding left
5	890751503	后背板 Back panel
6	890751504	上盖板 Top cover
7-1	890759101	右侧贴纸 Decal right
7-2	890759105	右侧贴纸韩国 Decal right KR
8-1	890759102	左侧贴纸 Decal left
8-2	890759106	左侧贴纸韩国 Decal left KR



REFRIGERATOR DECK ASSEMBLY



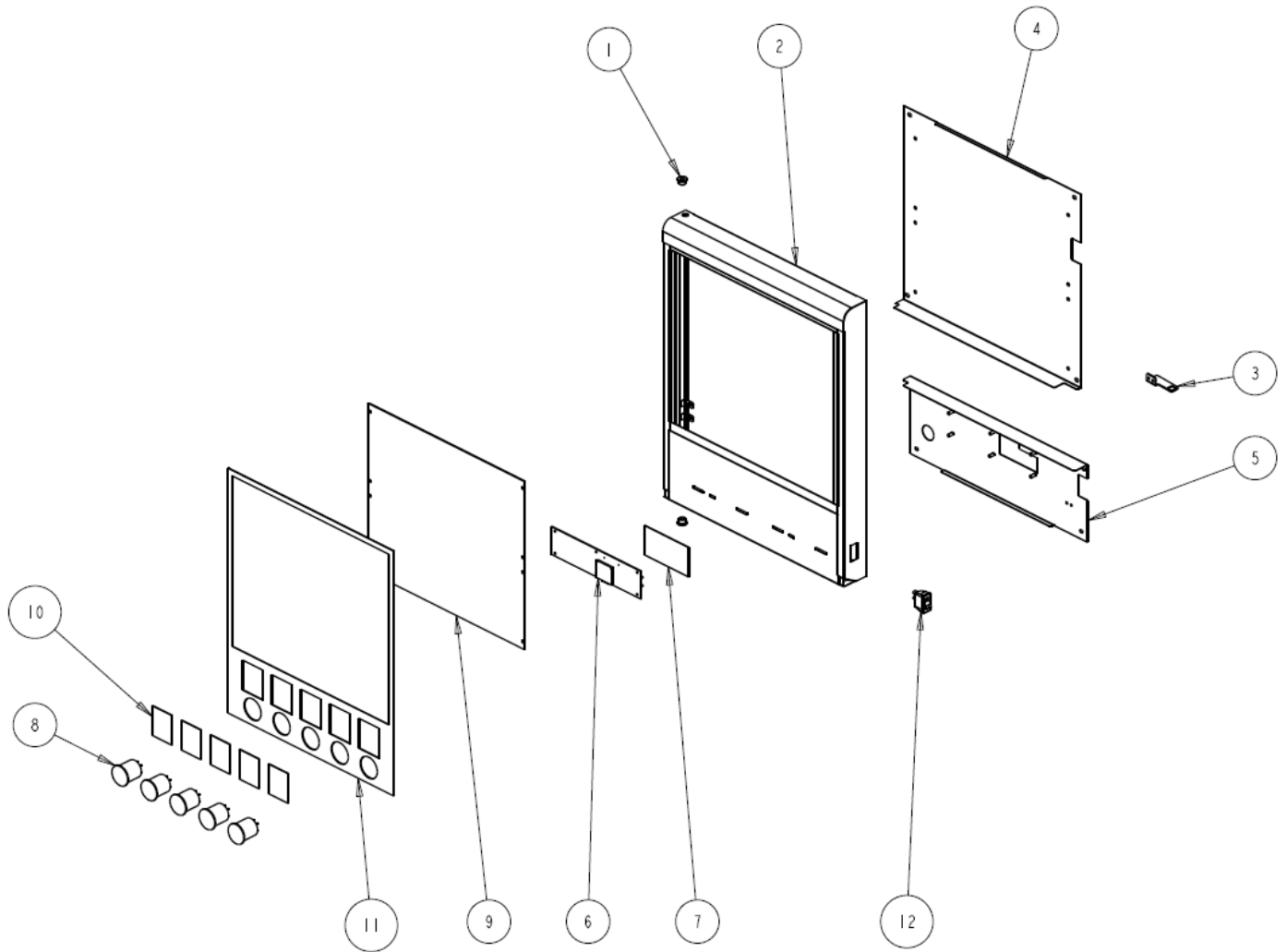


Item NO.	Part NO.	Name
1	4345	尾插 RECEPTACLE PUSH IN CE UNI
2	111337000	水泵接头 FITG STGHT 3/8MPT X 5/8-1
3	149539000	干燥器 Dryer 2x6, 1/2,5
4	149802004	线卡 Driller snap-in
5	186216000	搅拌叶片 Blade AGIT
6	312996000	泵头 PUMP WATER 90GPH BR PRO#5
7	560003440	风扇 Fan Motor 230 56/60 Hz
8	890124801	控制板 CONTROL LEVEL LIQ 230V
9	890524808	水泵电容 CBB65 Capacitor10
10-1	890524811	水泵电机 50HZ ITG MOTOR 50HZ ACP94-3001
10-2	890524812	水泵电机 60HZ PUMP MOTOR 60HZ
11	890533809	连接铜管 Connector copper
12	890534501	断路器 TE Connectivity SP pole
13	890554814	直流电源 DC Switch power
14	890554815	制冷板 Refrigerate PCB
15	890561104	蒸发器支架 Spacer evaporator
16	890561211	电容卡子 clip capacitor
17	890562401	蒸发器 Evaporator
18	890565202	压缩机 HuaYi GE80TG 230/50 60Hz
19	890565301	冷凝器 Condenser
20	890566703	蒸发器杆 Evaporetor rod
21	890751108	搅拌支架 Agitator bracket
22	890751109	冰控探针支架 Holder ice probe

Item NO.	Part NO.	Name
23	890751110	新蒸发器支架 SPACER EVAPORATOR NEW
24	890751204	主框架 02 ASM Structure 02
25	890751205	制冷底盘 DECK
26	890751206	制冷底盘 02 DECK 02
27	890751207	冷凝器罩 SHROUND
28	890751216	水泵上盖 COVERMOTOR
29	890751217	风扇支撑支架 FAN SUPPORT BRACKET
30	890751218	进水支架 WATER IN BRACKET
31	890751219	探针上盖 PROB COVER
32	890753301	排气管 DISCHARGE TUBE
33	890753401	吸气管 SUCTION TUBE
34	890757101	底盘保温棉 FAOMING DECK
35	890757102	底盘保温棉 02 FAOMING DECK 02
36	890757103	前侧保温棉 FOAM FRONT
37	890757104	上盖保温棉 COVER FOAMING
38	2MP153A	风扇叶片 Fan Blade
39	560002354HY	搅拌电机 AGIT MOTOR 230
40	890751208	水泵支架 Pump bracket
41	890541245	风扇支架 BRACKET FAN
42	890754413	冰控探针 ICE Probe Sensor
43	890751209	电控盒 PCB_BOX
44	890544811	开关 Switch



MERCHANDISER ASSEMBLY



Item NO.	Part NO.	Name
1	890547618	门轴护套 Door Bushing
2	890751512	灯箱 Merchandiser
3	890751513	锁支架 LOCK TONGUE
4	890751515	灯板支架 LED PANEL BRACKET
5	890751516	电路板支架 PCB PANEL BRACKET
6-1	890754801	电路板 PCB
6-2	890754805	电路板英文 PCB English
7-1	890754802	覆膜 LAMINATING

Item NO.	Part NO.	Name
7-2	890754806	覆膜英文 LAMINATING English
8	890754803	按键 BUTTON
9	890754804	LED 灯板 LED PANEL
10-1	890759103	口味贴 FLAVOR DECAL
10-2	890759107	口味贴韩国 FLAVOR DECAL KR
11-1	890759104	灯箱片 LENS
11-2	890759108	灯箱片韩国 LENS KR
12	39725003EL	开关 Switch Power C1300